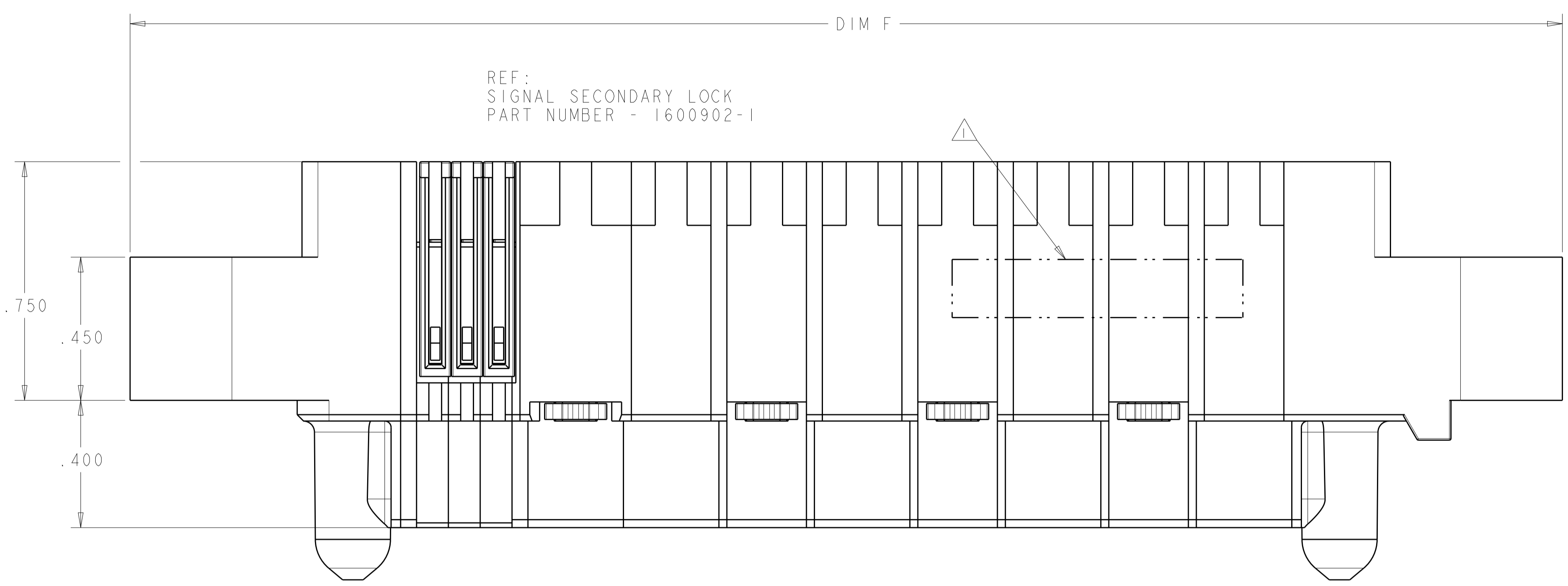
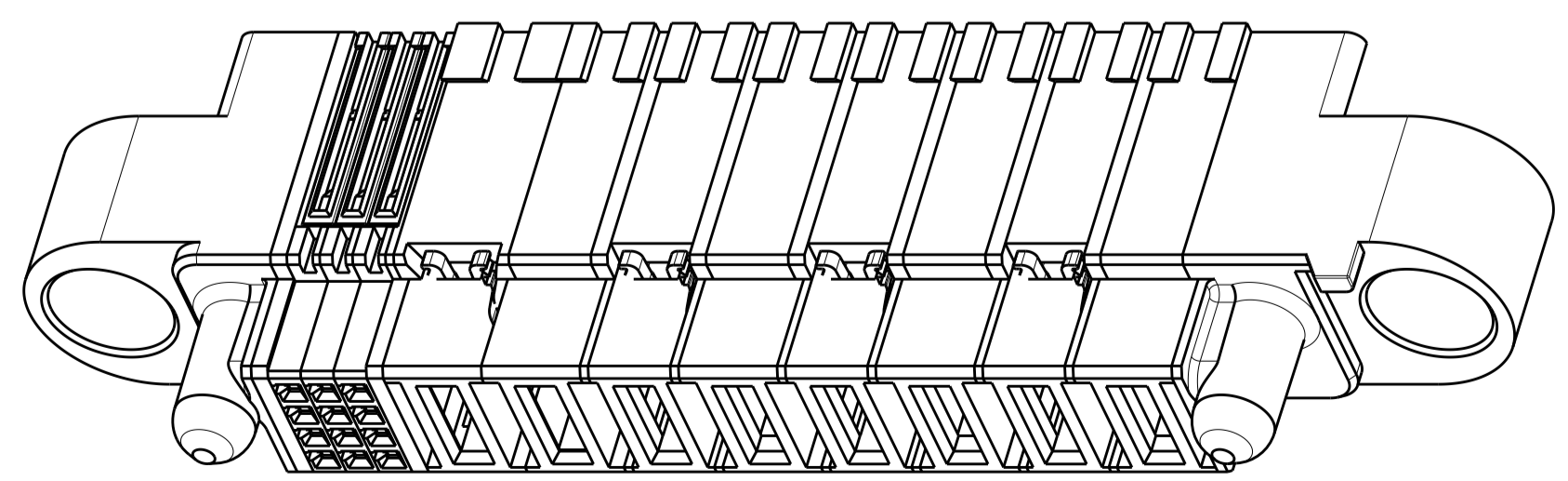
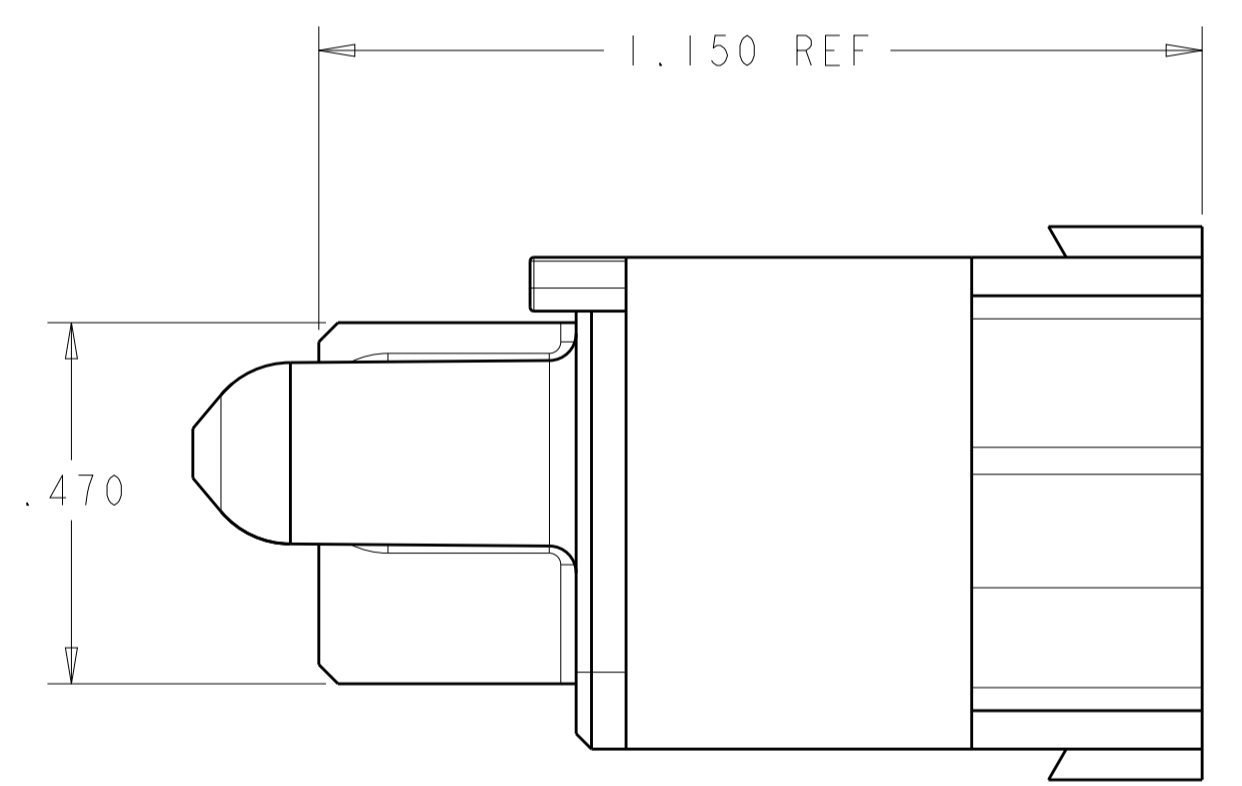
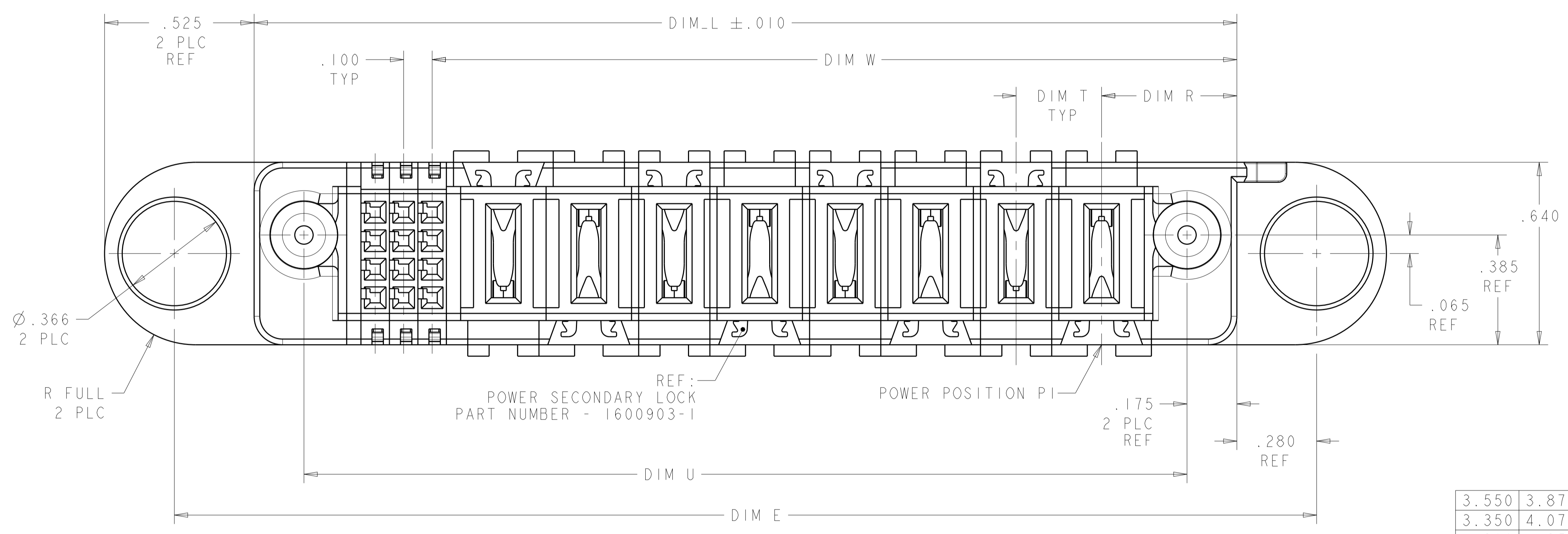


LOC	DIST	REVISIONS					
ES	00	P	LTN	DESCRIPTION	DATE	DWN	APVD
		H		ADDED NEW DASH NUMBER 1-2	25JUL2012	CZ	SZ
		H1		REVISED 1-2	03AUG2012	CZ	SZ
		H3		ADD NEW DASH NUMBER 1-3	30NOV2014	CZ	SZ
		H4		ADD NEW DASH NUMBER 1-4	02AUG2016	CZ	SZ



- 1 COMPANY TRADEMARK, PART NUMBER, AND DATE CODE TO BE MARKED IN AREA SHOWN. PARTS UNDER 2.00 LONG MAY BE MARKED ON BOTH SIDES.
- 2 MATERIAL: THERMO PLASTIC, UL94 V-0.
- 3 DATUM LOCATIONS AND BASIC DIMENSIONS TO BE ESTABLISHED BY THE CUSTOMER.
- 4 BULKHEAD THICKNESS RANGE: .031 - .100.
- 5 CONNECTOR MATED TO PANEL FROM OPPOSITE SIDE.
- 6 NO BURRS ALLOWED ON OPPOSITE (MATING) SIDE.
- 7 CONNECTOR KEEP OUT ZONE.
- 8 MOUNT CONNECTOR WITH TYCO HARDWARE KIT 1600914-1 FOR .050 (1.27mm) MIN RADIAL FLOAT.
- 9 VARIABLE DIMENSION SHOW ON VIEW (SHEET 2).



ISOMETRIC VIEW  
SCALE 2:1

3.550	3.875	9	.475	4.225	5.275	4.785	3ACP + 9P + 16S	1-1600616-4
3.350	4.075	9	.450	4.425	5.475	4.985	4ACP + 9HDP + 32S	1-1600616-3
1.300	1.350	.300	.450	1.700	2.850	2.260	3ACP + 4S	1-1600616-2
1.175	1.300	.250	.450	1.650	2.700	2.210	3P + 8S	1-1600616-1
1.925	2.050	.250	.450	2.400	3.450	2.960	6P + 8S	1-1600616-0
1.325	1.500	.300	.475	1.850	2.900	2.410	3ACP + 8S	1600616-9
2.300	2.825	9	.475	3.175	4.225	3.735	3ACP + 4P + 24S	1600616-8
2.675	3.225	9	.525	3.575	4.625	4.135	3ACP + 6P + 24S	1600616-7
2.350	2.875	9	.475	3.225	4.275	3.785	3ACP + 4P + 24S	1600616-6
2.350	2.875	9	.475	3.225	4.275	3.785	3ACP + 4P + 24S	1600616-5
3.075	3.200	.300	.475	3.550	4.600	4.110	9ACP + 8S	1600616-4
2.375	2.550	9	.475	2.900	3.950	3.460	3ACP + 4P + 8S	1600616-3
3.925	4.700	.250	.450	5.050	6.100	5.610	14P + 32S + 0P	1600616-2
2.825	3.100	.300	.475	3.450	4.500	4.010	8ACP + 12S + 0P	1600616-1
DIM W	DIM U	DIM T	DIM R	DIM L	DIM F	DIM E	DESCRIPTION	PART NUMBER

THIS DRAWING IS A CONTROLLED DOCUMENT.

DIMENSIONS: INCHES

TOLERANCES UNLESS OTHERWISE SPECIFIED:

0 PLC	±
2 PLC	±.01
3 PLC	±.005
4 PLC	±.0020
ANGLES	±.0020

MATERIAL: 2

FINISH:

THIS DRAWING IS A CONTROLLED DOCUMENT.

DWN: HAMMER 06JUL2004

CHK: D. TROUT 09JUL2004

APVD: D. TROUT

NAME: PLNEL MOUNT CABLE RECEPTACLE TYPE PS, WITH GUIDES MUTLI-BEAM XL

PRODUCT SPEC: 108-2157

APPLICATION SPEC: 114-13112

SIZE: 114-13112

WEIGHT:

CUSTOMER DRAWING

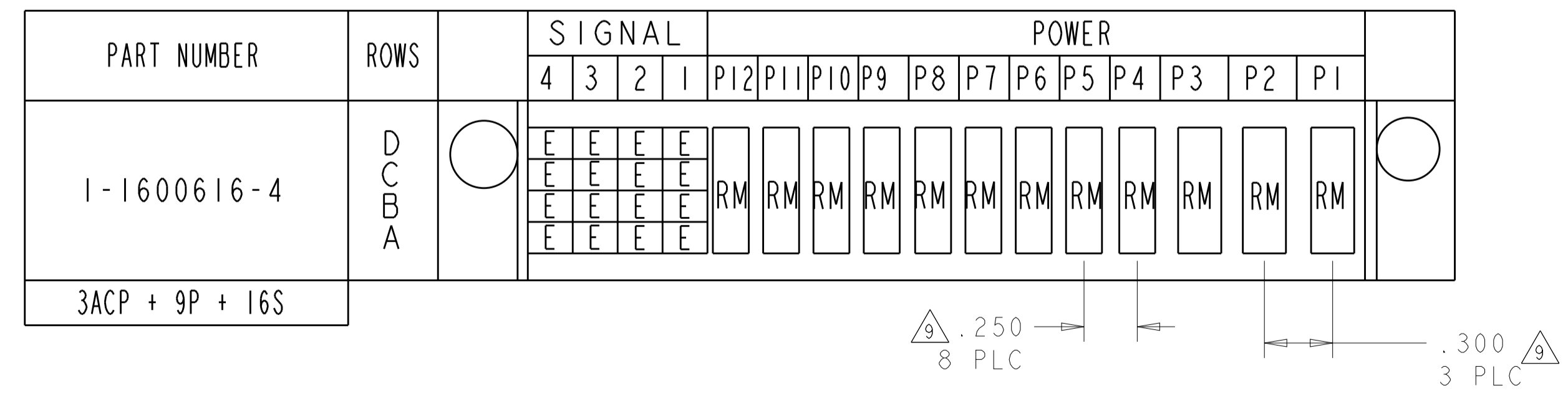
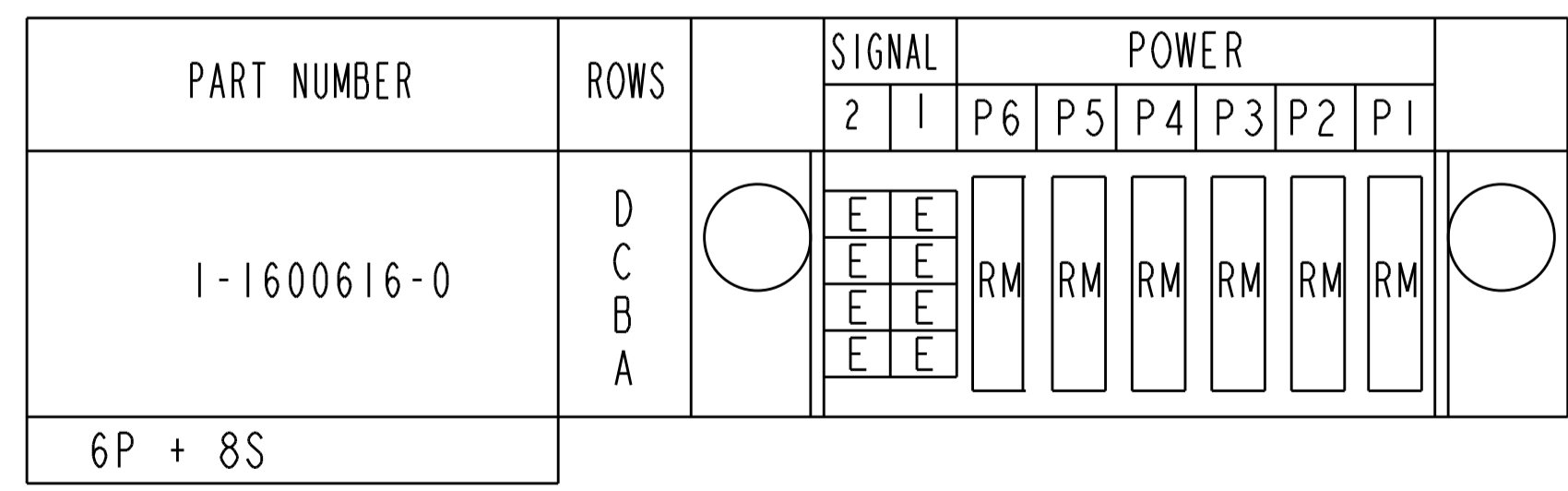
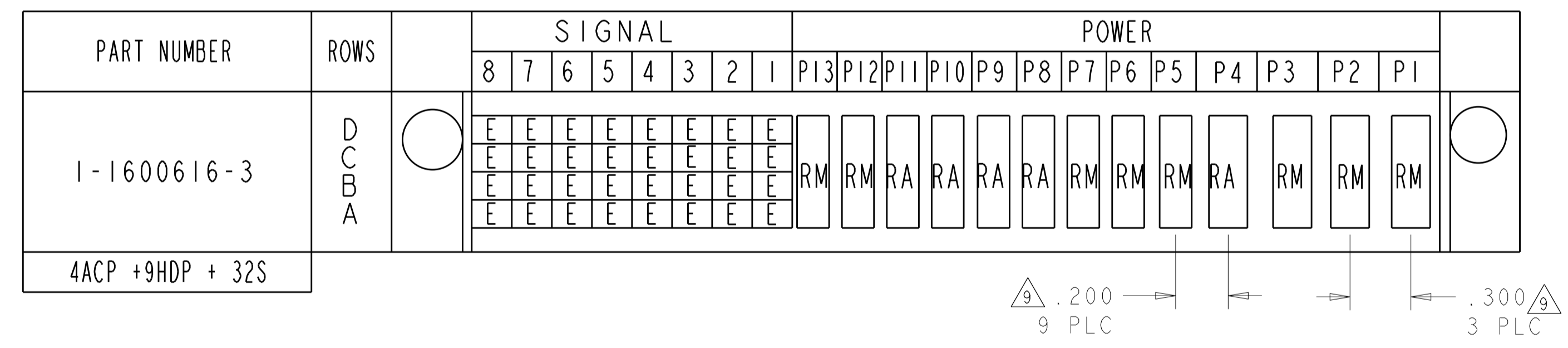
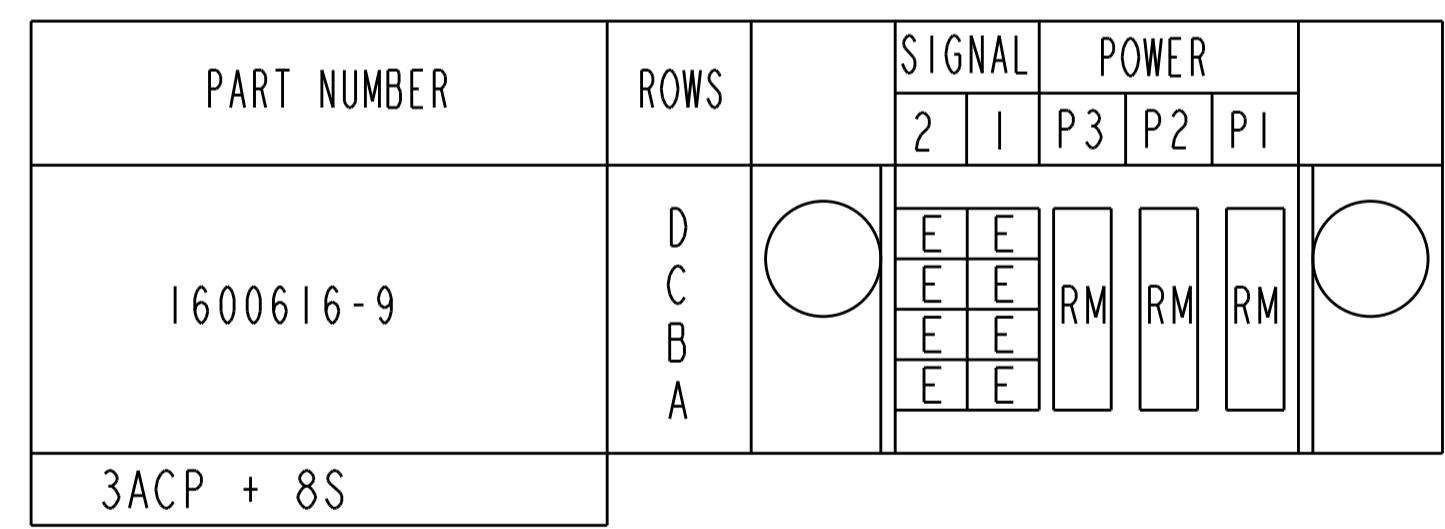
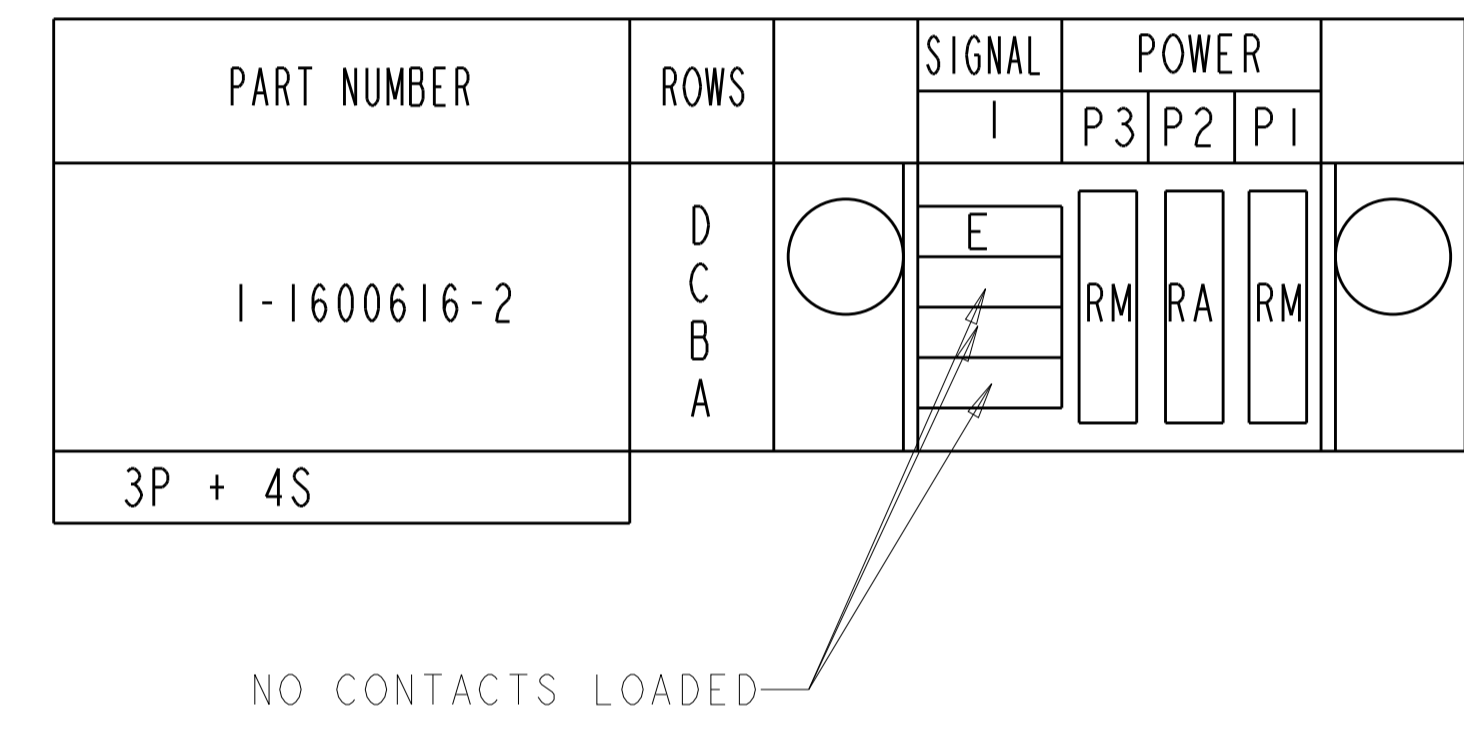
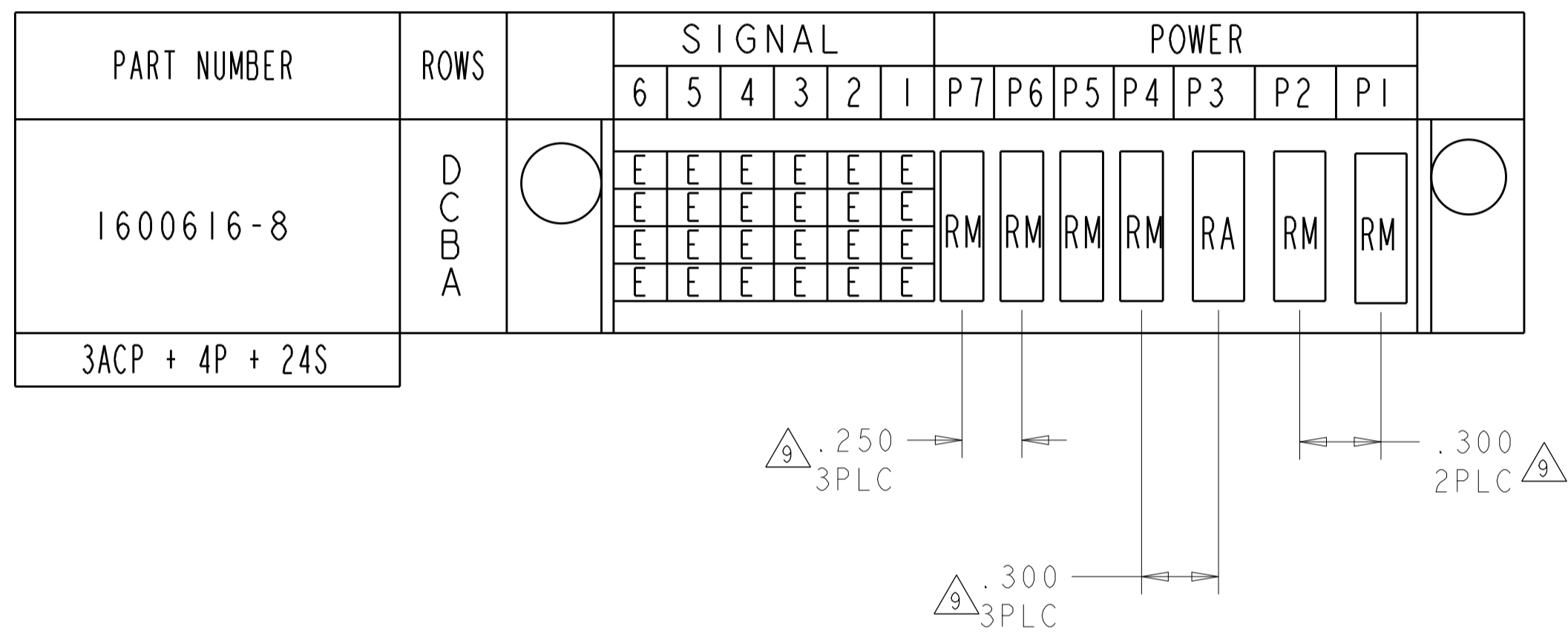
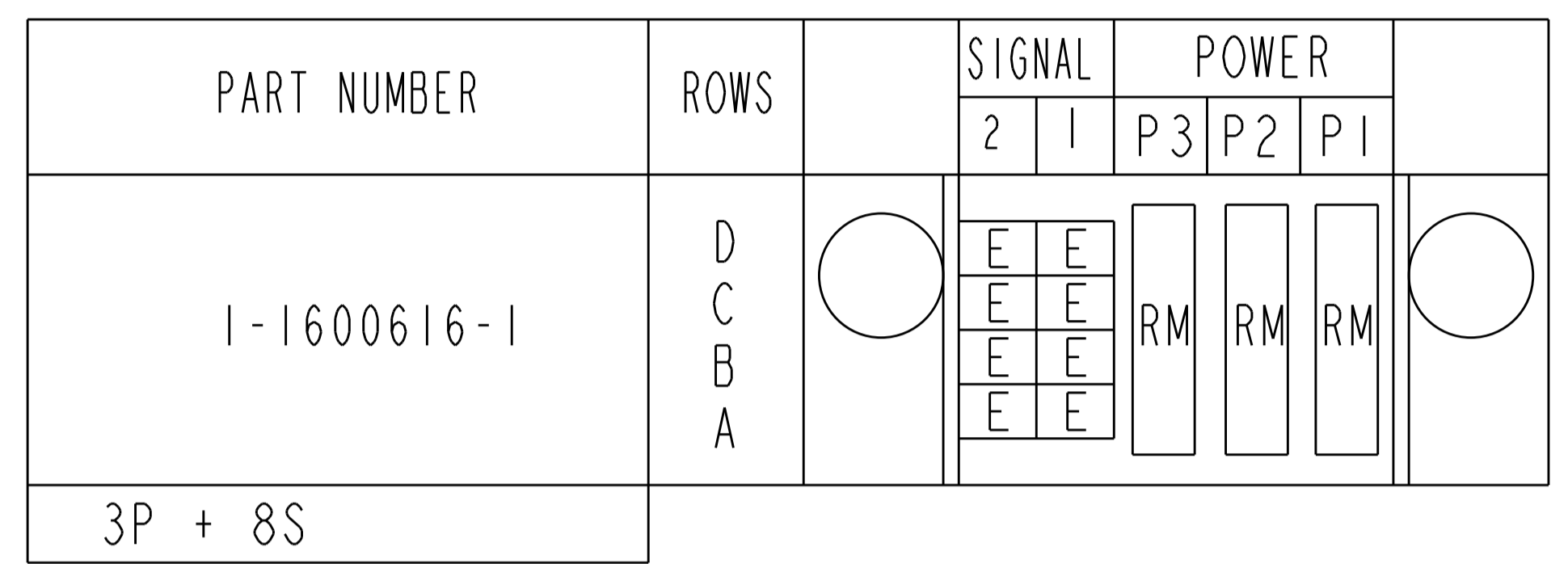
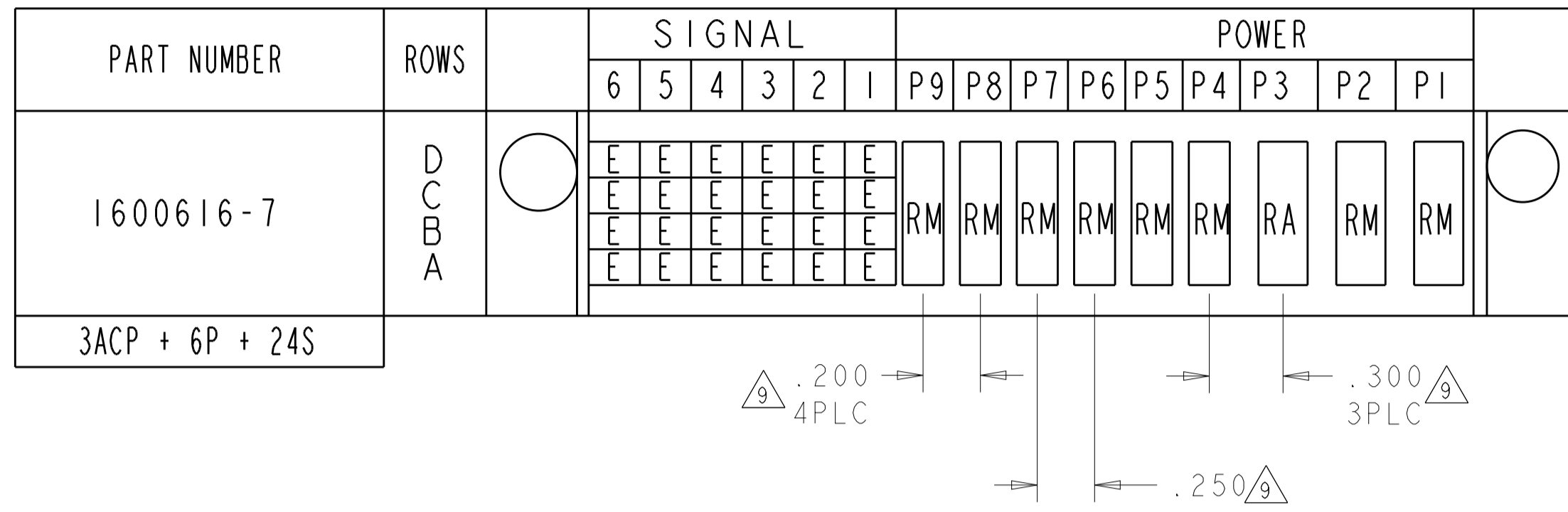
SCALE: 4:1

SHEET 1 OF 3

REV: H4



LOC	DIST	REV	DATE	BY	APPV
ES	00				
REVISIONS			DESCRIPTION	DATE	BY
			SEE SHEET 1		



THIS DRAWING IS A CONTROLLED DOCUMENT.		OWN: HAMMER 06JUL2004	 TE Connectivity
DIMENSIONS: INCHES		CHK: D. TROUT 09JUL2004	
TOLERANCES UNLESS OTHERWISE SPECIFIED:		APVD: D. TROUT	NAME: PLNEL MOUNT CABLE RECEPTACLE TYPE PS, WITH GUIDES MUTLI-BEAM XL
		PRODUCT SPEC: 108-2157	SIZE: CAGE CODE DRAWING NO: A100779C=1600616
MATERIAL: FINISH:		APPLICATION SPEC: 114-13112	RESTRICTED TO: -
		WEIGHT: -	SCALE: 4:1 SHEET 3 OF 3 REV: H4
		CUSTOMER DRAWING	

# Mouser Electronics

Authorized Distributor

Click to View Pricing, Inventory, Delivery & Lifecycle Information:

[TE Connectivity:](#)

[1600616-8](#)