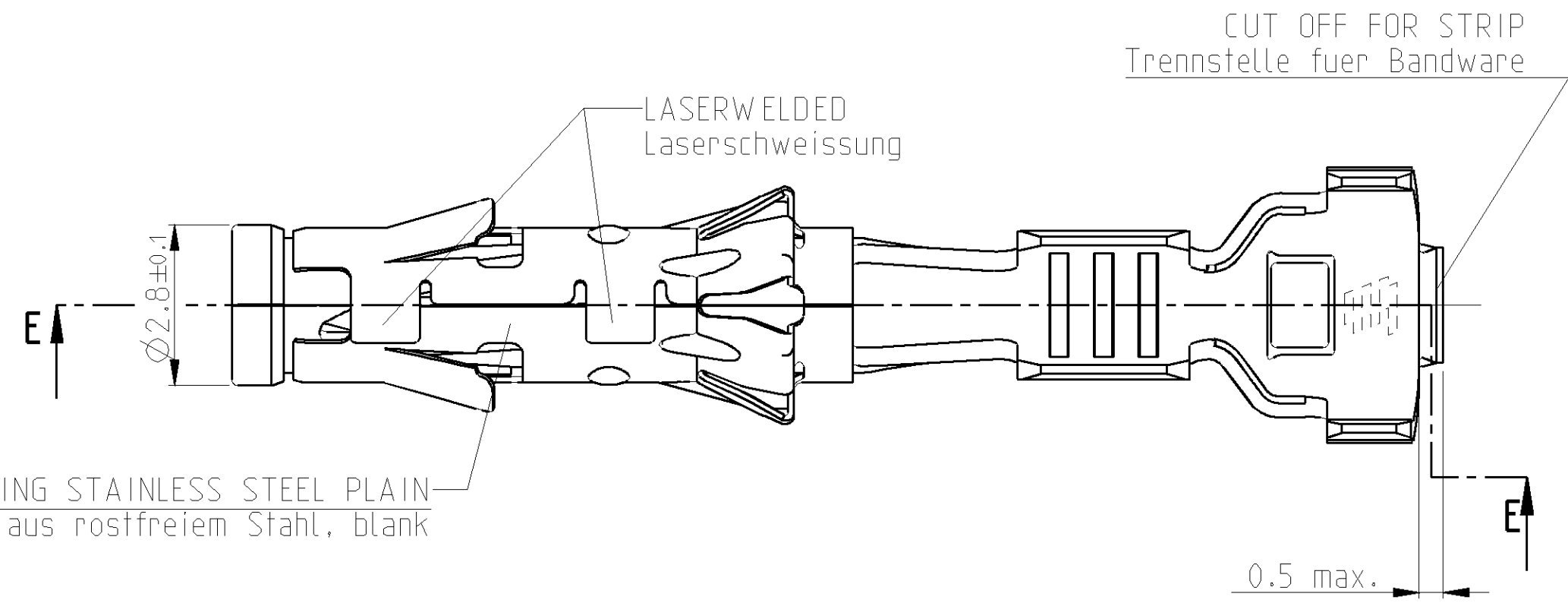
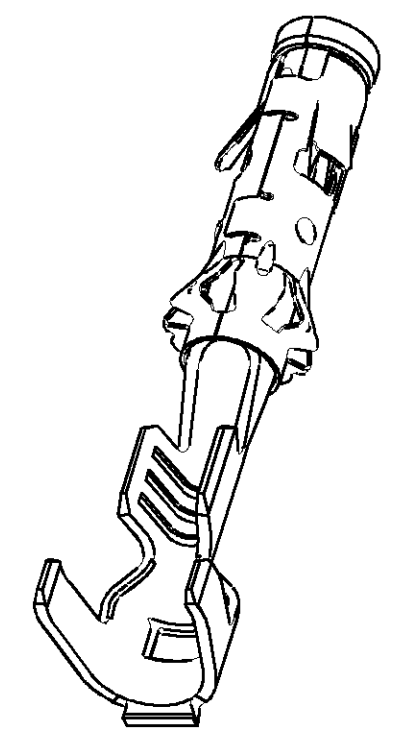
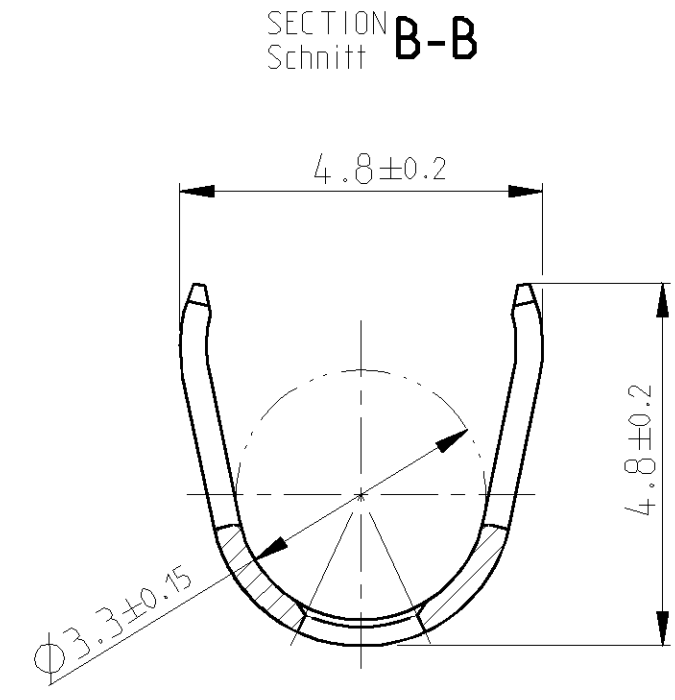
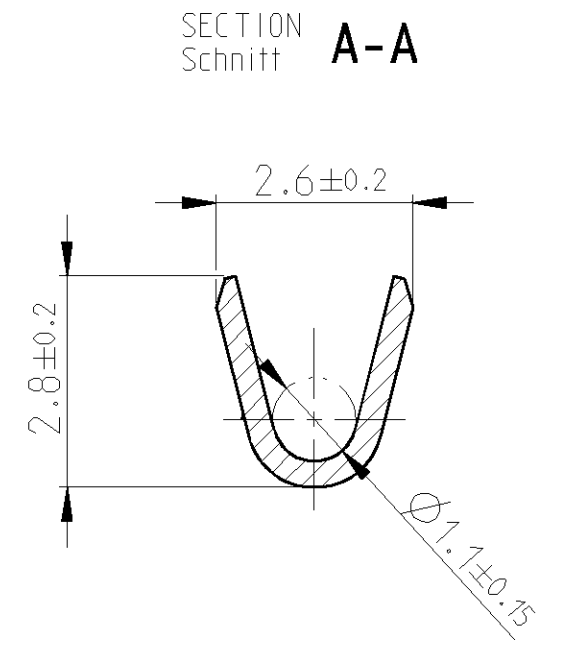
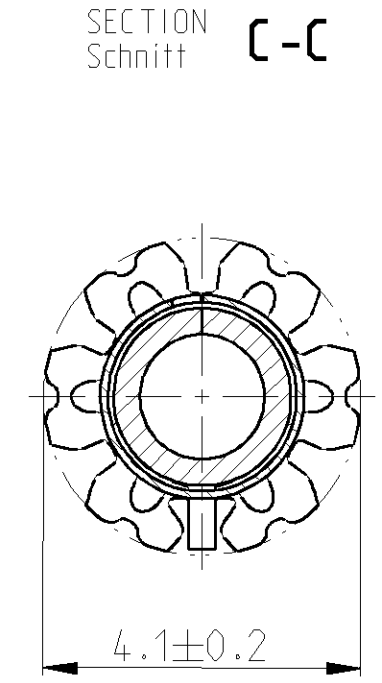
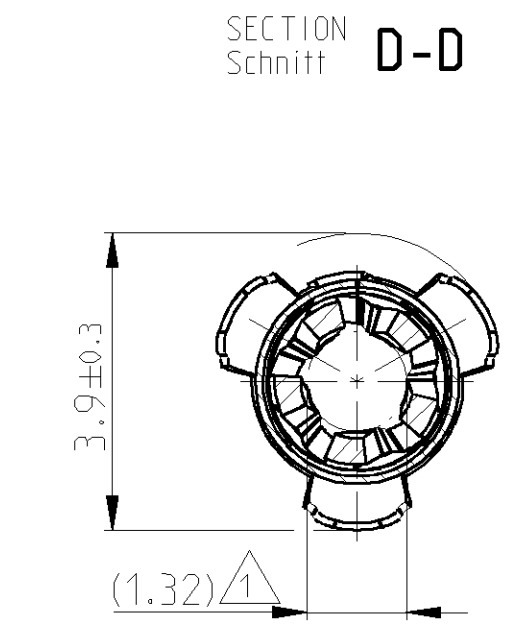
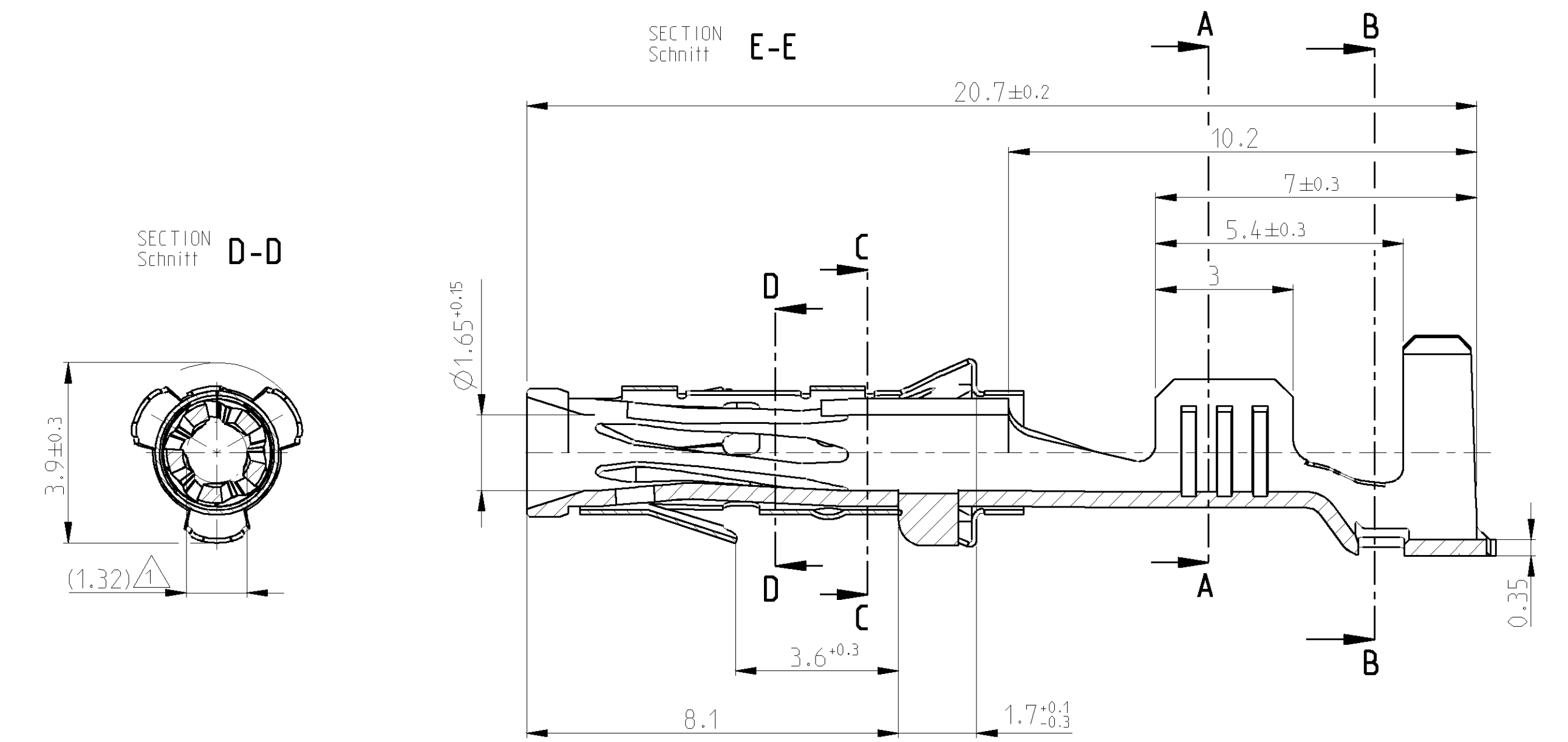


THIS DRAWING IS UNPUBLISHED. RELEASED FOR PUBLICATION 2009 MATED WITH: PASSEND ZU: -
 © COPYRIGHT 2009 BY TYCO ELECTRONICS CORPORATION. ALL RIGHTS RESERVED.

LOC		DIST		REVISIONS			
P	LTR	DESCRIPTION	DATE	DWN	APVD		
A1	-						
PROJEKT NR.: EGATN06247		A	NEW DRAWING CREATED	26APR2006	KF	CG	
		A2	NEW PRDE DRAWING ECR-10-007842	12APR2010	Fru	Goe	



LOCKING SPRING STAINLESS STEEL PLAIN
 Ueberfeder aus rostfreiem Stahl, blank

REMARKS
 Bemerkungen

⚠ FOR EVALUATING THE GAP SIZE, THE EXTRACTION FORCE OF MIN. 7N TESTED WITH TESTPIN 1703285-1, HAS PRIORITY. MEASURE AT A RATE OF 25mm/min. PRIOR TO EACH MEASUREMENT THE TESTPIN HAS TO BE CLEANED WITH AN ALCOHOL WIPE. THE MEASUREMENT CAN ONLY BE DONE AFTER THE COMPLETE DRYING OF THE SURFACE. Zur Beurteilung des Oeffnungsmasses ist die Ziehkraft min. 7N geprueft mit Pruefstift 1703285-1, ausschlaggebend. Pruefgeschwindigkeit 25MM/min. Der Testpin muss vor jedem Messen mit einem Tuch und Alkohol gereinigt werden. Die Buchse muss vor jeder Messung in Testbenzin gereinigt werden. Die Messeung darf erst nach vollstaendiger Abtrocknung der Oberflaechen durchgefuehrt werden.

2. WIRE RANGE: 0.5-1.0mm²
 INSULATION RANGE: Ø3.4mm FLR
 Drahtgroessenbereich: 0.5-1.0mm²
 Isolationsdurchmesser: Ø3.4mm FLR

-	-	-	-	-
-	-	-	-	-
1-1418497-0	A	-	CuNi 18Zn20	PLAIN/blank
TE PART NO	REV.	PCS.	MATERIAL	SURFACE COLOR

THIS DRAWING IS A CONTROLLED DOCUMENT FOR TYCO ELECTRONICS CORPORATION IT IS SUBJECT TO CHANGE AND THE CONTROLLING ENGINEERING ORGANIZATION SHOULD BE CONTACTED FOR THE LATEST REVISION.		DWN Fruehwirth, K.	26APR2006	Tyco Electronics AMP GmbH 64625 Bensheim (Germany)															
		CHK Goepfel, C.	26APR2006																
DIMENSIONS: mm		TOLERANCES UNLESS OTHERWISE SPECIFIED:		NAME DIA. 1.5mm CONTACT SOCKET Ø1.5 mm kontaktbuchse															
<table border="1"> <tr> <td>Ø PLC</td> <td>±0.15</td> </tr> <tr> <td>1 PLC</td> <td>±0.15</td> </tr> <tr> <td>2 PLC</td> <td>±0.15</td> </tr> <tr> <td>3 PLC</td> <td>±0.15</td> </tr> <tr> <td>4 PLC</td> <td>±0.15</td> </tr> <tr> <td>ANGLES</td> <td>±1.5°</td> </tr> <tr> <td>FINISH</td> <td></td> </tr> </table>		Ø PLC	±0.15	1 PLC	±0.15	2 PLC	±0.15	3 PLC	±0.15	4 PLC	±0.15	ANGLES	±1.5°	FINISH		PRODUCT SPEC 108-18028	SIZE A2		
Ø PLC	±0.15																		
1 PLC	±0.15																		
2 PLC	±0.15																		
3 PLC	±0.15																		
4 PLC	±0.15																		
ANGLES	±1.5°																		
FINISH																			
MATERIAL		APPLICATION SPEC 114-18040	CAGE CODE 00779	DRAWING NO 1418497	RESTRICTED TO														
		WEIGHT 0.4g	SCALE 10:1		SHEET 1 OF 1														
		CUSTOMER DRAWING		REV A1															

Mouser Electronics

Authorized Distributor

Click to View Pricing, Inventory, Delivery & Lifecycle Information:

[TE Connectivity:](#)

[1-1418497-0](#)