

MATERIALS:
 -HOUSING: HIGH TEMPERATURE NYLON, BLACK, UL 94V-0
 -SHIELD: 0.20mm THICK, BRASS PREPLATED WITH 0.76µm MIN SEMI-BRIGHT NICKEL; POST-DIPPED WITH 2µm MIN SAC 305 ALLOY LEAD FREE SOLDER (TIN PRIMARY, 3% SILVER, 0.5% COPPER)
 -CONTACT TAILS: 0.25mm THICK, PHOSPHOR BRONZE, 1.27 µm MIN OVERALL NICKEL UNDERPLATE, 3µm MIN TIN PLATE
 -MOD JACK CONTACTS: 0.20mm THICK, BERYLLIUM COPPER, 1.27 µm MIN OVERALL NICKEL UNDERPLATE, WITH 1.27µm MIN LOCALIZED GOLD PLATE AT PLUG INTERFACE
 -LIGHT EMITTING DIODE (LED): DIFFUSED EPOXY LENS, 0.5mm X 0.5mm CARBON STEEL WIREFRAME LEADS PREPLATED WITH 2.03µm MIN. SILVER PLATE OVER 1.02µm MIN. NICKEL OVER 1.02µm MIN. COPPER UNDERPLATES; LEADS POST-PLATED WITH 3.05µm MIN. MATTE TIN PLATE.
 -LIGHT PIPE: POLYETHER SULFONE

RJ45 JACK CAVITY CONFORMS TO FCC RULES AND REGULATIONS PART 68, SUB-PART F.

LED IS DRIVEN WITH CONSTANT CURRENT AT APPROX. 20mA
 LED COLOR: DOMINANT WAVELENGTH (λD): GREEN = 565±5nm TYP at IF=20mA
 FORWARD VOLTAGE (VF): GREEN 2.2V TYP at IF=20mA
 DOMINANT WAVELENGTH (λD): YELLOW = 591±5nm TYP at IF=20mA
 FORWARD VOLTAGE (VF): YELLOW 2.1V TYP at IF=20mA
 DOMINANT WAVELENGTH (λD): ORANGE = 607±5nm TYP at IF=20mA
 FORWARD VOLTAGE (VF): ORANGE 2.1V TYP at IF=20mA
 DOMINANT WAVELENGTH (λD): BLUE = 467±8nm TYP at IF=20mA
 FORWARD VOLTAGE (VF): BLUE 2.1V TYP at IF=20mA

LED 2 WILL EMULATE "YELLOW" LIGHT WHEN BOTH GREEN AND ORANGE DIODES ARE DRIVEN AT CONSTANT CURRENT (20 mA RECOMMENDED) TO INDICATE THE THIRD COLOR STATES.

ALL DIMENSIONS NOMINAL UNLESS OTHERWISE NOTED.

TYCO ELECTRONICS LOGO, TRADEMARK, PART NUMBER, DATE CODE, COUNTRY OF ORIGIN, AND AGENCY APPROVAL MARKING IN APPROXIMATE LOCATION SHOWN

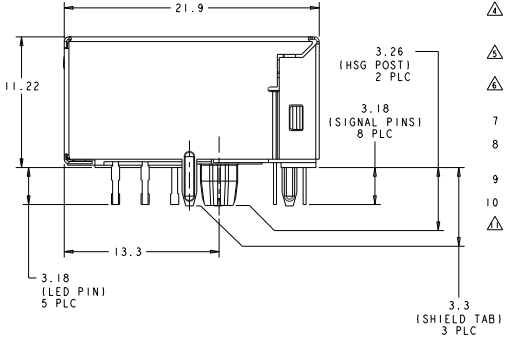
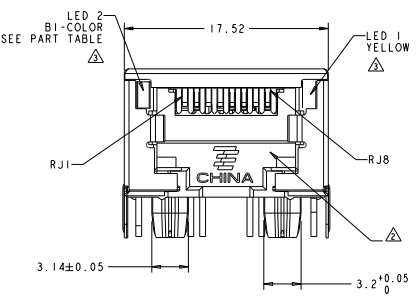
1840441-1 SHOWN UNLESS OTHERWISE NOTED

THESE PARTS ARE RECOMMENDED FOR WAVE SOLDERING PROCESS. PEAK WAVE SOLDERING TEMPERATURE: 260°C

THESE PARTS ARE DESIGNED FOR CATEGORY 6A APPLICATIONS

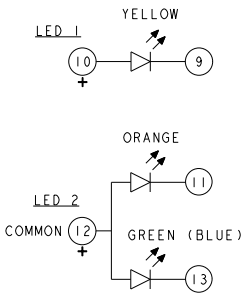
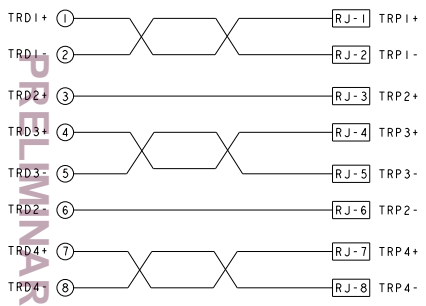
DIELECTRIC WITHSTANDING VOLTAGE (CONTACT TO SHIELD): 1500V DC

LIGHTS PIPES ARE USED TO TRANSMIT LIGHT OF SMD LEDS MOUNTED ON CUSTOMER BOARD.



THIS PRINT IS
PRELIMINARY
 UNQUALIFIED PRODUCT
 CONTACT PRODUCT ENGINEERING
 BEFORE USING THIS PRINT

THROUGH CIRCUIT



PROPOSAL	GREEN	GREEN/YELLOW	1840441-5
PROPOSAL	--	--	1840441-4
	GREEN	GREEN/ORANGE	1840441-3
	YELLOW	BLUE/ORANGE	1840441-2
	YELLOW	GREEN/ORANGE	1840441-1
	LED1	LED2	PART NUMBER

DIMENSIONS		MATERIALS		FINISHES		APPLICATIONS		REVISIONS	
mm	in	PLC	PLC	mm	in	mm	in	REV	DATE
1840441-1		1840441-1		1840441-1		1840441-1			

