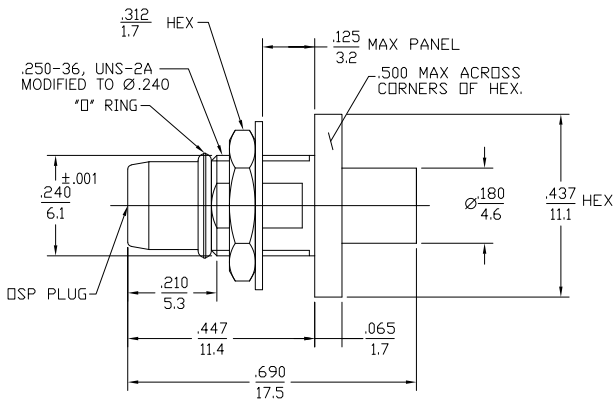


THIS DRAWING IS UNPUBLISHED. RELEASED FOR PUBLICATION.
 © COPYRIGHT BY TYCO ELECTRONICS CORPORATION. ALL INTERNATIONAL RIGHTS RESERVED.

LOC	DIST	REVISIONS		
P	LHR	DESCRIPTION	DATE	BY
C		REV PER ECO-08-021971	30DEC08	PY WM



DESIGNED FOR USE WITH	.141 S/R
CABLE ENTRY DIAMETER	MINIMUM
HOUSING	.145
CONTACT	.0375

ELECTRICAL	MECHANICAL	ENVIRONMENTAL
Nominal Impedance (Ohms) 50	Interface Dimensions MIL-STD-348A, FIG 321-1	TEMPERATURE RATING -65° TO +125°C
Frequency Range (GHz) DC to 18	Mating Characteristics:	Vibration MIL-STD-202, Method 204, Condition D
Volt Rating (VRMS MAX) @ Sea Level 500	Insertion (MAX Lbs) 3	Shock MIL-STD-202, Method 213, Condition I
VSWR 1.02+0.05F(GHz) DC to 18 GHz	Withdrawal (MIN Oz) 1	Thermal Shock MIL-STD-202, Method 107, Condition B
Insertion Loss (dB MAX) .03x V(F(GHz))	Force to Engage (In-Lbs MAX) 3 & Disengage (In-Lbs MAX) 1.5	Moisture Resistance MIL-STD-202, Method 106
RF Leakage (dB MIN) (Interface Only, Fully Mated) -(90-F(GHz))	Center Contact Captivation Axial (Lbs) 6	Corrosion - MIL-STD-202, Method 101, Condition B
Corona, 70,000 Ft (VRMS MIN) 375	Cable Retention Axial Force (Lbs MIN) 30 Torque (In-Oz MIN) 16	
Dielectric Withstanding Voltage (VRMS MIN) @ Sea Level 1500	Weight (Grans)	
Contact Resistance (Milliohms MAX)		
Center Contact 3.0		
Outer Contact 2.0		
Cable to Housing 0.5		
RF High Potential @ Sea Level (VRMS MIN @ 5 MHz) 1000		
I.R.(Megohms MIN) 5000		

.XXX = in
 XX.X = mm (REF)

COMPONENT	MATERIAL	FINISH
HOUSING MOUNTING NUT LOCKWASHER	STAINLESS STEEL PER ASTM-A484 AND ASTM-A582, TYPE 303	GOLD PLATE PER MIL-G-45204
DIELECTRIC	TFE FLUOROCARBON PER ASTM-D-1457	N/A
CENTER CONTACT	BERYLLIUM COPPER PER ASTM-B-196 OR ASTM-B-197, ALLOY C17300, CONDITION H	GOLD PLATE PER MIL-G-45204
O-RING	FLOURSILICONE PER MIL-R-25988, CLASS 1, TYPE 1	N/A

THIS DRAWING IS A CONTROLLED DOCUMENT.		DR P YEAGER 20DEC2008	Tyco Electronics Corporation Harrisburg, PA 17105-3608
DIMENSIONS: INCHES		GR W MOYER 30DEC08	OSP BULKHEAD FEEDTHRU, CABLE PLUG DIRECT SOLDER ATTACHMENT
TOLERANCES UNLESS OTHERWISE SPECIFIED:		APPD W MOYER 30DEC08	
0 PLG ± .005	1 PLG ± .005	PRODUCT SPEC	SIZE CASE CODE DRAWING NO
2 PLG ± .005	3 PLG ± .005	APPLICATION SPEC	A2 00779 C-1059384
4 PLG ± .005	5 PLG ± .005	WEIGHT	RESTRICTED TO
ANGLES ± 1°	FINISH	CUSTOMER DRAWING	SCALE 6:1 SHEET 1 of 1 REV C

1471-9 (1/08)

1059384

A