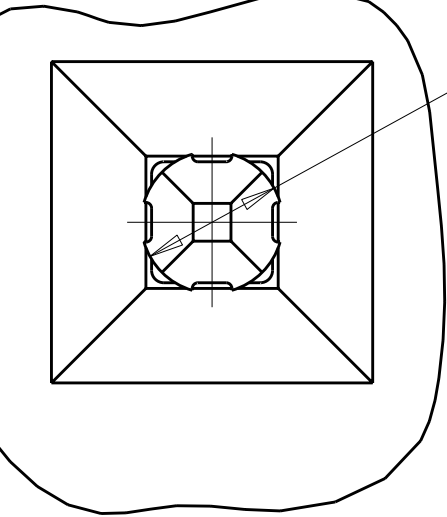
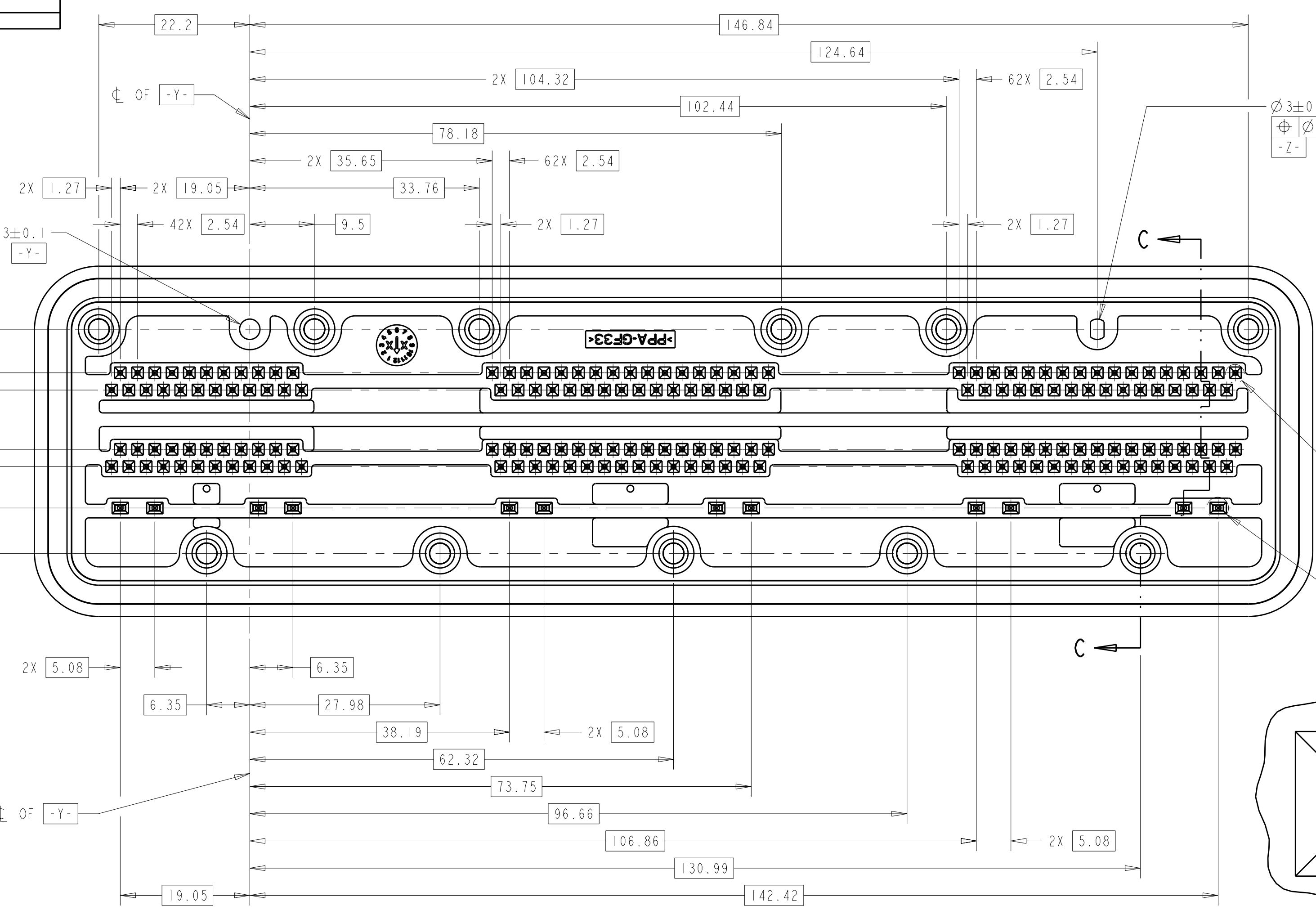
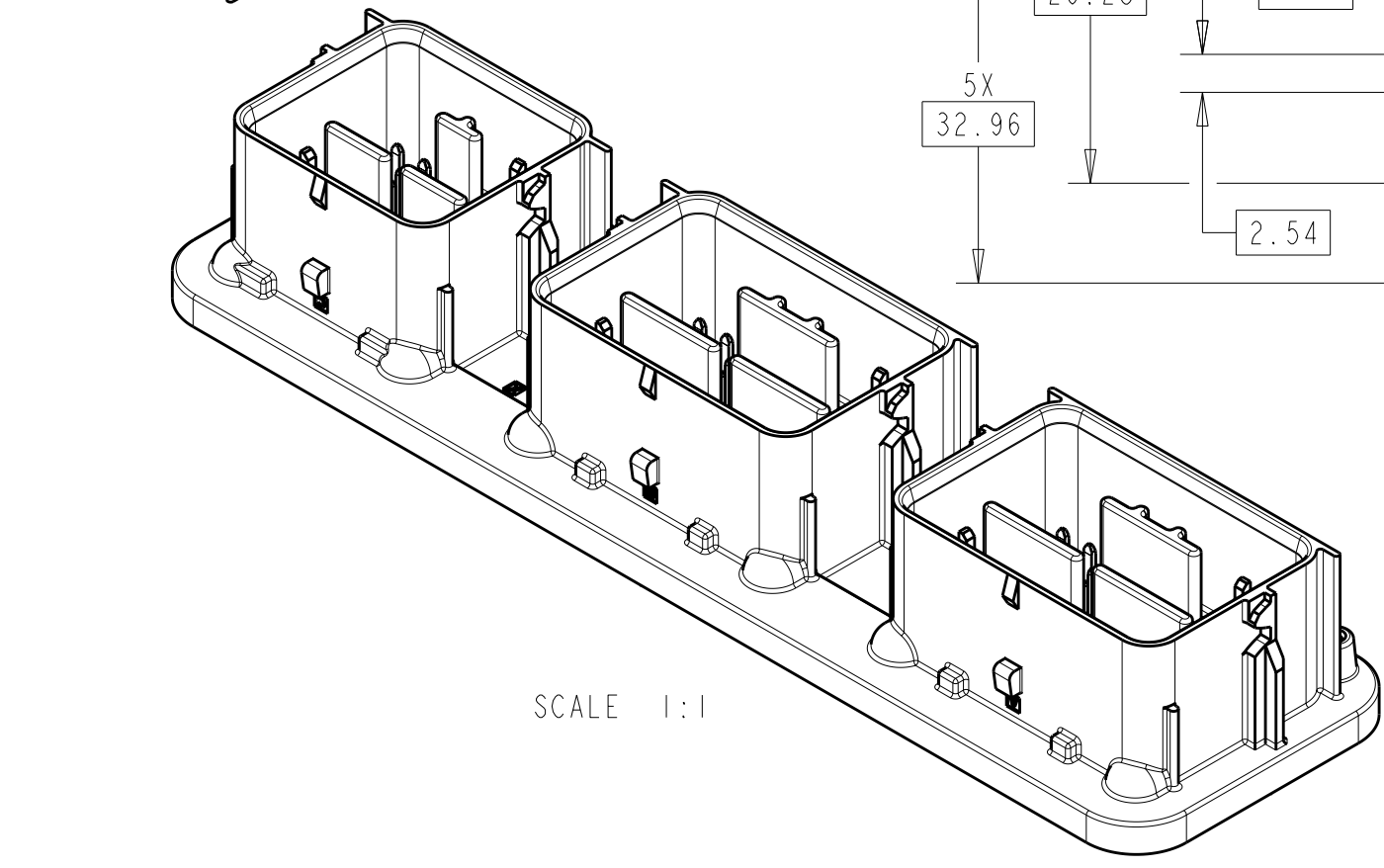
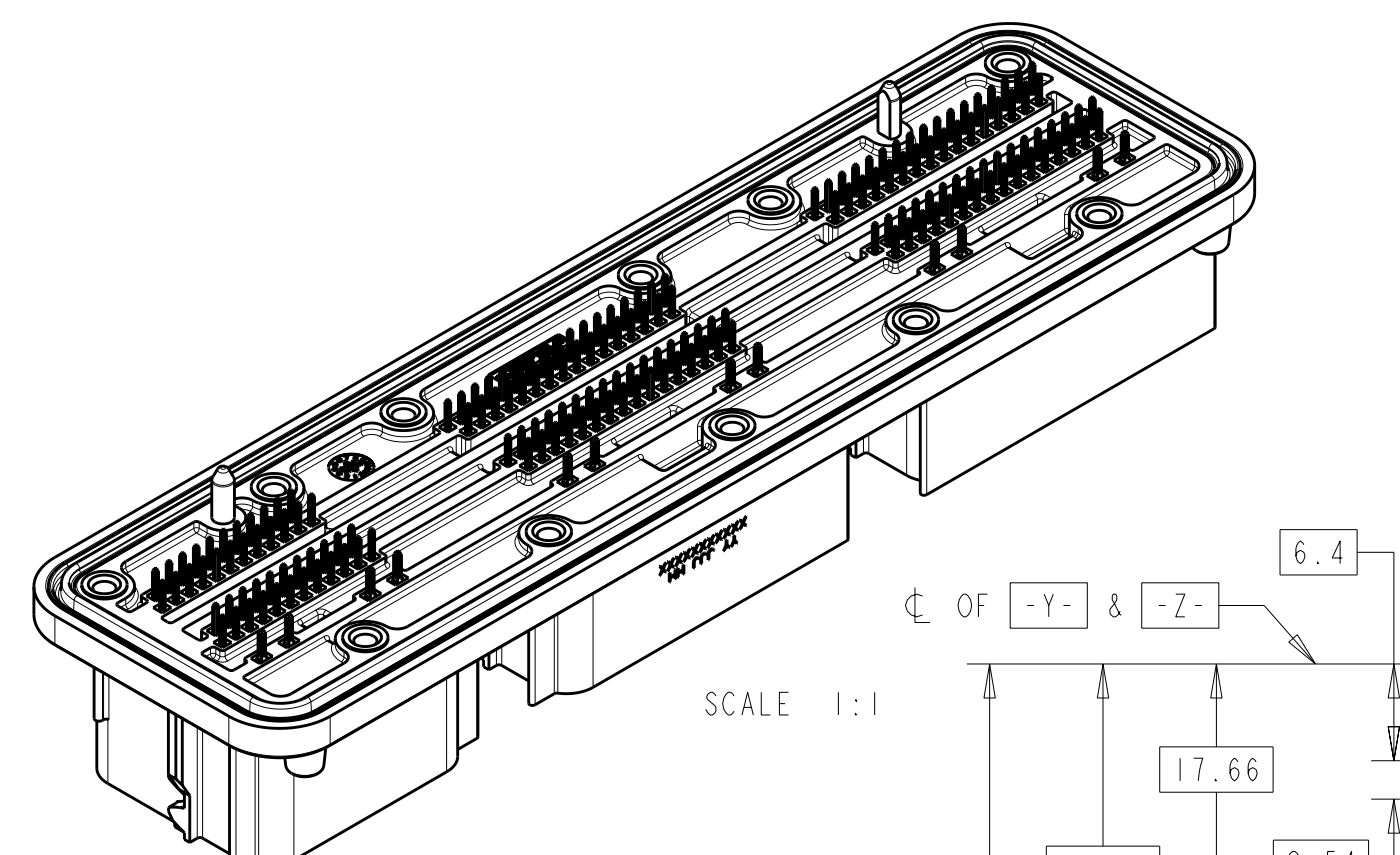
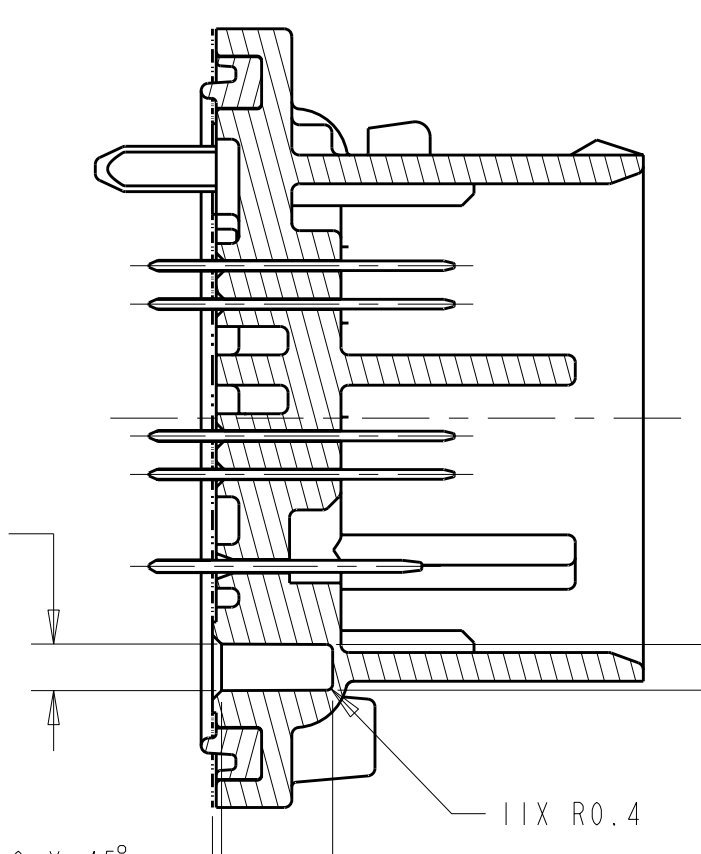


LOC	DIST	REV	DATE	BY	APP
FX	00	A	27FEB2012	DD	CM

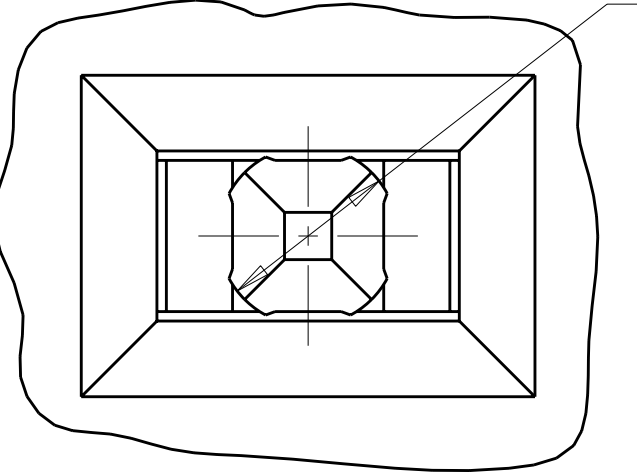
REVISIONS		DATE	BY	APP
DESCRIPTION				



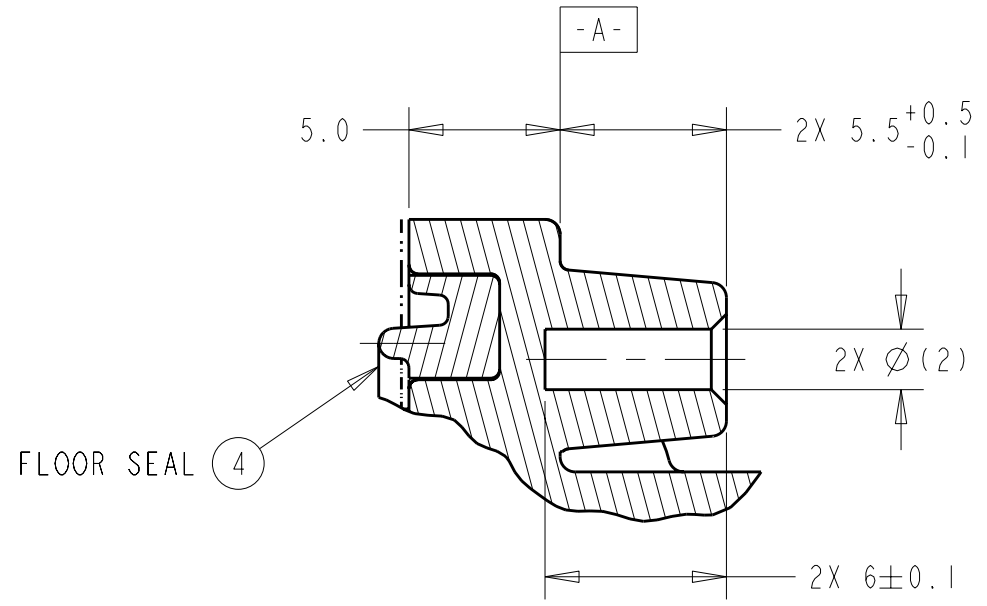
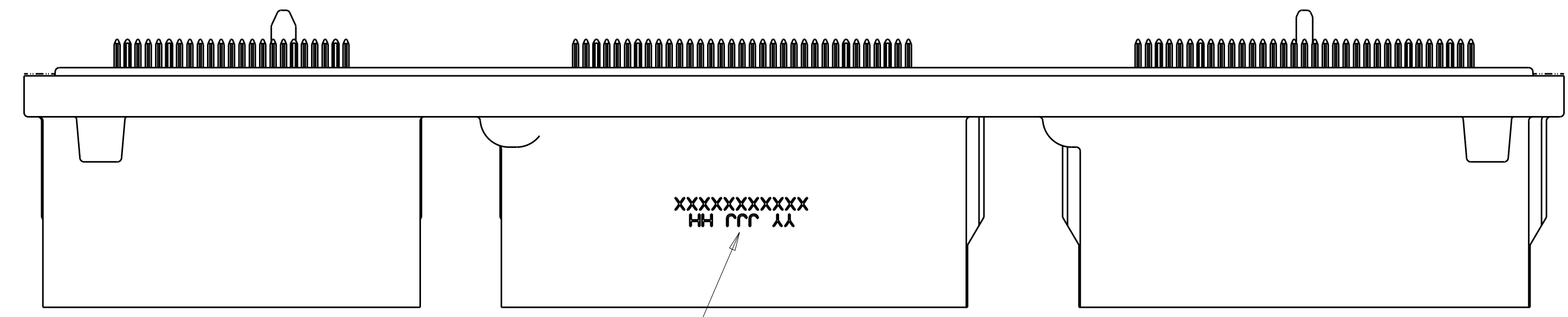
DETAIL E
SCALE 25:1
TYPICAL 178 PLACES



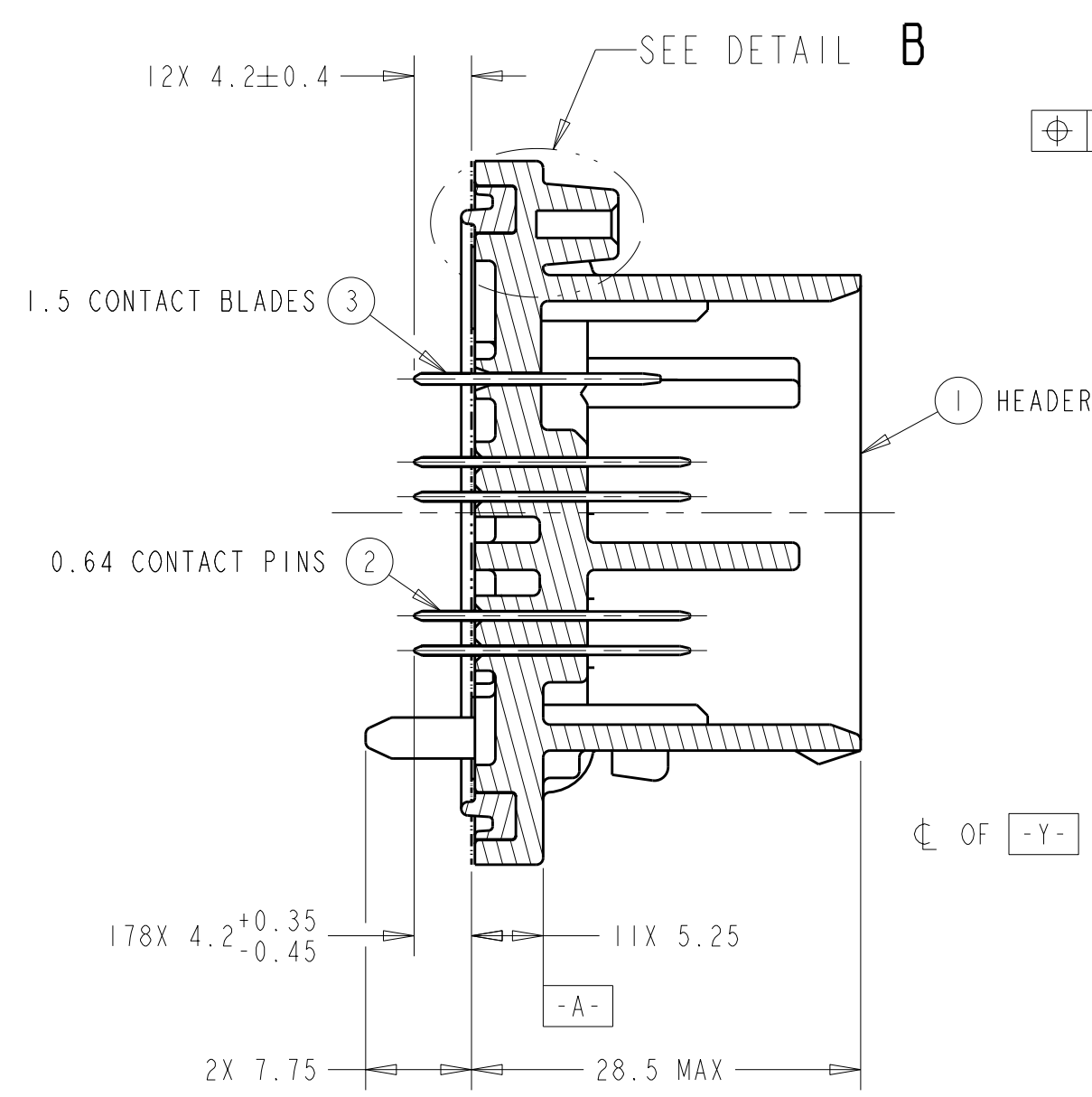
SECTION C-C



DETAIL D
SCALE 25:1
TYPICAL 12 PLACES



DETAIL B
SCALE 4:1



SECTION A-A

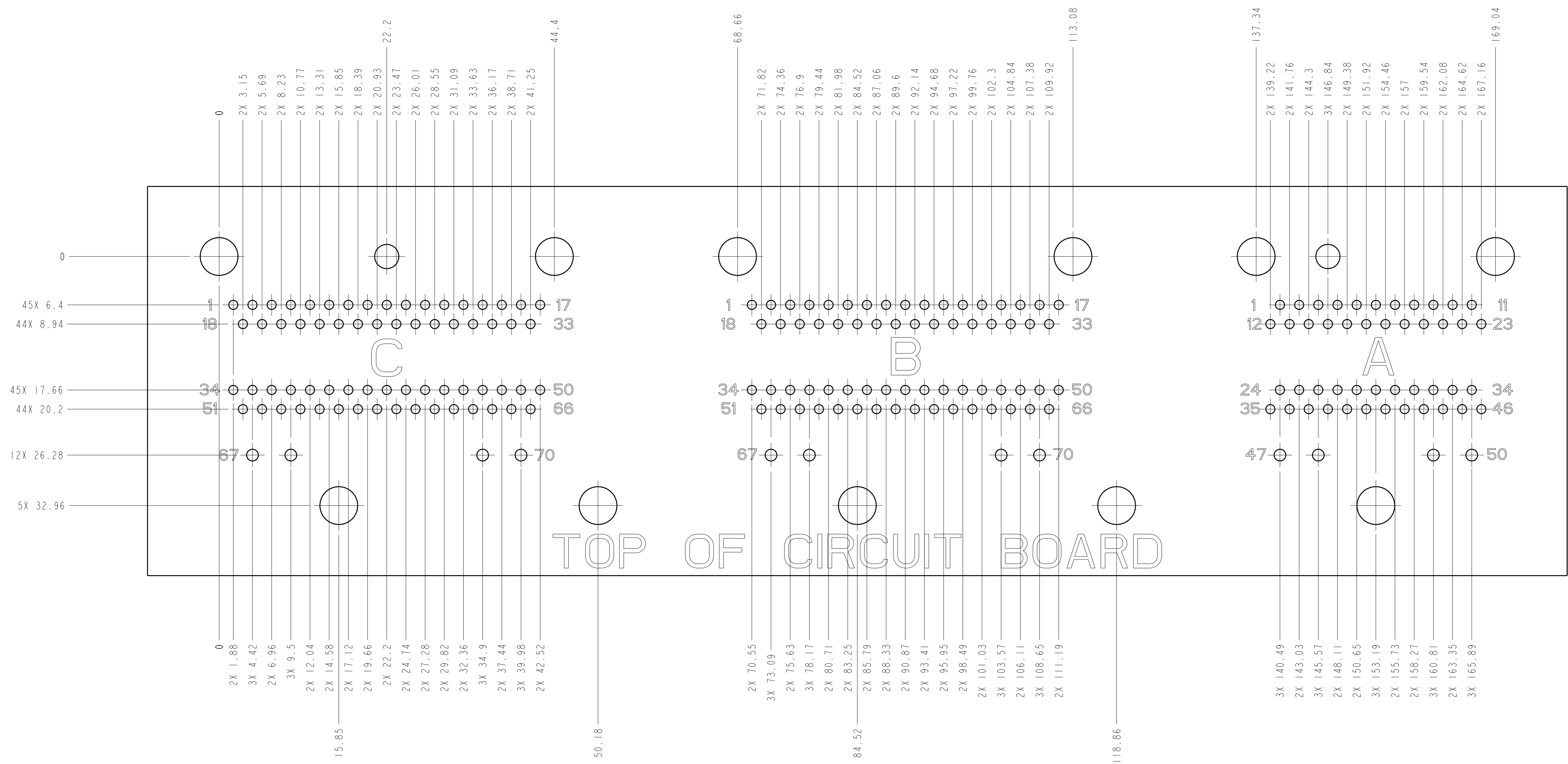
- 0.64 CONTACT: MATERIAL: COPPER ALLOY
CONTACT AREA PLATING: $>0.8\mu\text{m}$ Au OVER 2 - $3.5\mu\text{m}$ Ni.
SOLDER TAIL PLATING: 2.5 - $4\mu\text{m}$ Sn OVER 2 - $3.5\mu\text{m}$ Ni
 - 1.5 CONTACT: MATERIAL: BRASS
PLATING: TIN THICKNESS 11 ($0.0025-0.0040$)
OVER NICKEL THICKNESS 11 ($0.00125-0.00225$) ALL OVER.
 - MATERIAL: SILICONE
- PRINT TRACEABILITY CODE (YY = TWO DIGIT YEAR, JJJ = JULIAN DAY, HH = TWO DIGIT MILITARY HOUR) AND PART NUMBER ON THE CENTER POCKET OPPOSITE THE LATCH.
 - CAVITY IDENTIFICATION.
 - TP 0.45 FUNCTIONAL GAGING 100% GAGED ONLINE PER CONTROL PLAN.

1438063-5				
---- ASSEMBLY PART NUMBER				
QTY	COLOR/FINISH	MATERIAL	DESCRIPTION	ITEM
1	GREEN	SEE NOTE 3	FLOOR SEAL	4
12	SEE NOTE 2	SEE NOTE 2	1.5 CONTACT BLADE	3
178	SEE NOTE 1	SEE NOTE 1	0.64 CONTACT PIN	2
1	BLACK	>PPA-GF33<	HEADER	1

THIS DRAWING IS A CONTROLLED DOCUMENT. DIMENSIONING AND TOLERANCING PER ASME Y14.5M-2009.			
DIMENSIONS:		TOLERANCES UNLESS OTHERWISE SPECIFIED:	
mm	9 PLC	±	
	1 PLC	±0.3	
	3 PLC	±0.10	
	5 PLC	±	
	4 PLC	±	
	ANGLES	±	
	FINISH	±	
MATERIAL	SEE TABLE ABOVE		

DWN D. DRUMMOND 27FEB2012
 CHK C. MARTIN 27FEB2012
 APVD C. MARTIN 27FEB2012
STE TE Connectivity
 NAME: 190 WAY HEADER ASSEMBLY
 SIZE: A1
 CAGE CODE: 00779
 DRAWING NO: 1438063
 SHEET 1 OF 2
 REV A

LOC	DIST	REVISIONS			
P	LT#	DESCRIPTION	DATE	DWN	APVD
-	-	SEE SHEET 1	-	-	-



PCB LAYOUT
 SCALE 3:1

THIS DRAWING IS A CONTROLLED DOCUMENT.		DWN D. DRUMMOND 27FEB2012	STE TE Connectivity	
DIMENSIONS: mm		CHK C. MARTIN 27FEB2012	NAME 190 WAY HEADER ASSEMBLY	
TOLERANCES UNLESS OTHERWISE SPECIFIED: 0 PLC ± 1 PLC ±0.3 2 PLC ±0.10 3 PLC ± 4 PLC ± ANGLES ±°		APVD C. MARTIN 27FEB2012	PRODUCT SPEC APPLICATION SPEC	
MATERIAL SEE TABLE ABOVE		FINISH	RESTRICTED TO	
WEIGHT		A1 00779 C=1438063		SCALE 2:1 SHEET 2 OF 2 REV A
CUSTOMER DRAWING		SCALE 2:1 SHEET 2 OF 2 REV A		

Mouser Electronics

Authorized Distributor

Click to View Pricing, Inventory, Delivery & Lifecycle Information:

[TE Connectivity:](#)

[1438063-1](#)