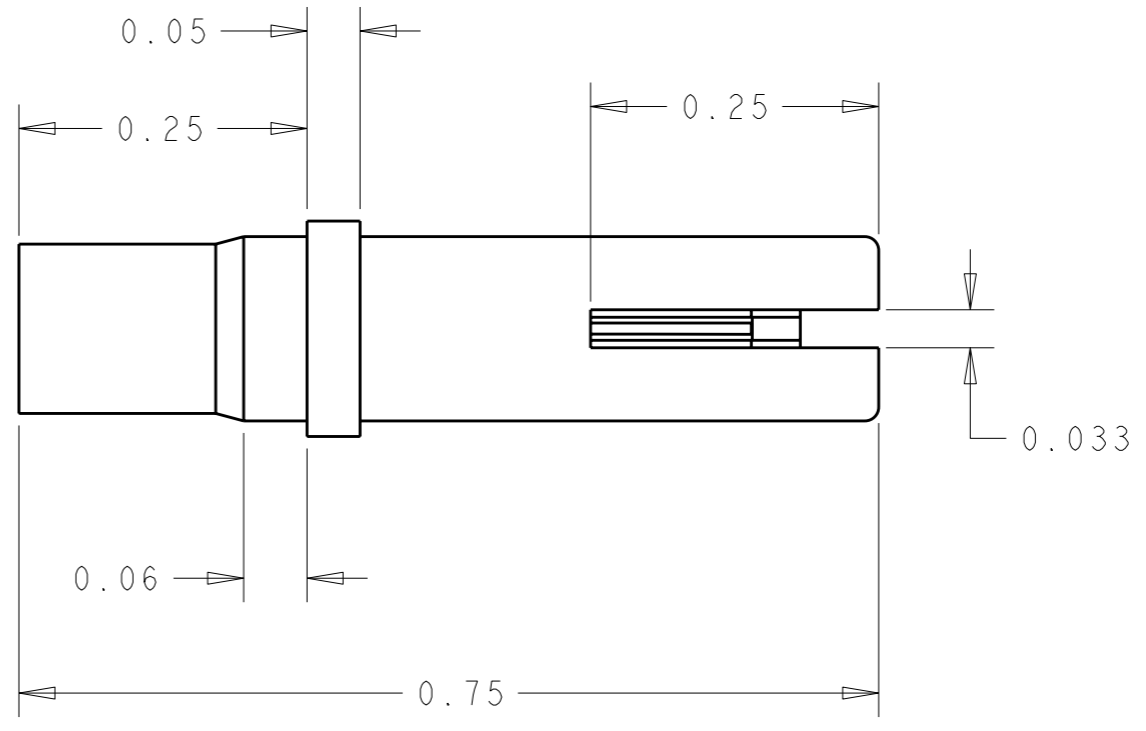
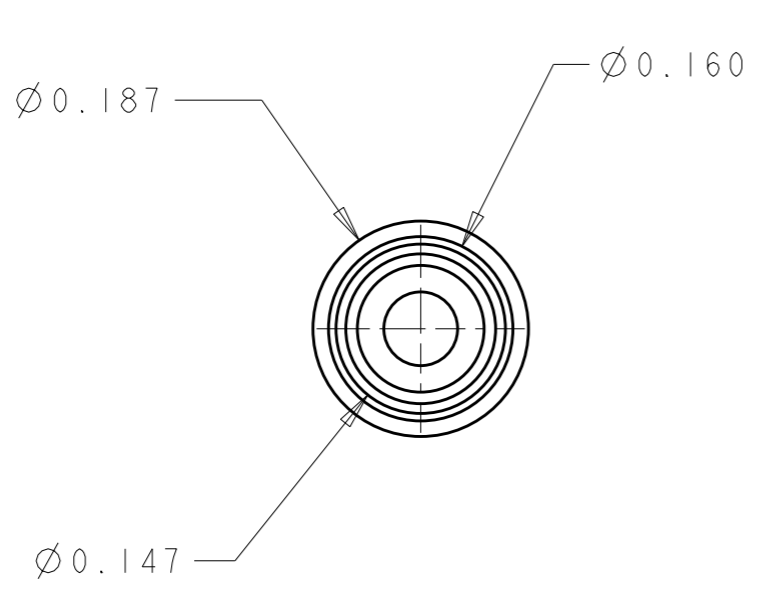


THIS DRAWING IS UNPUBLISHED. RELEASED FOR PUBLICATION 20
 © COPYRIGHT 20 BY TYCO ELECTRONICS CORPORATION. ALL RIGHTS RESERVED.

LOC	DIST	REVISIONS			
P	LTR	DESCRIPTION	DATE	DWN	APVD
-	-	A	NEW RELEASE	06OCT2008	CR DO



1. PART NUMBER CHANGES AND OR DESIGN CHANGES AFFECTING ITEM INTERCHANGEABILITY REQUIRE PRIOR TYCO ELECTRONICS APPROVAL AND AUTHORIZATION BY REVISION TO THIS DRAWING.

2. ITEMS PROVIDED TO THIS SPECIFICATION TO BE PERMANENTLY IDENTIFIED PER THE FOLLOWING IDENTIFIER LABEL



3 MATERIAL:
 SOCKET CONTACT: COPPER ALLOY
 CROWN BAND: COPPER ALLOY
 HOOD: COPPER ALLOY

4 FINISHES:
 SOCKET CONTACT: GOLD PLATE, .000010 MIN THK OVER NICKEL, .000040 MIN THK
 CROWN BAND: GOLD PLATE, .000030 MIN THK OVER NICKEL, .000040 MIN THK
 HOOD: GOLD PLATE, .000010 MIN THK OVER NICKEL, .000075 MIN THK

4. FOR TERMINATION, USE FOLLOWING EQUIPMENT:
 CRIMP TOOL: M22520/1-01
 LOCATOR: M22520/1-02

AS SHOWN	1766060-1
DESCRIPTION	PART NO.

THIS DRAWING IS A CONTROLLED DOCUMENT FOR TYCO ELECTRONICS CORPORATION IT IS SUBJECT TO CHANGE AND THE CONTROLLING ENGINEERING ORGANIZATION SHOULD BE CONTACTED FOR THE LATEST REVISION.		DWN C. ROHLER 06OCT2008	Tyco Electronics Harrisburg, PA 17105-3608			
DIMENSIONS: INCHES		CHK D. ORRIS 06OCT2008	NAME CONTACT, SOCKET, SIZE CRIMP, HOT PLUG			
TOLERANCES UNLESS OTHERWISE SPECIFIED: 0 PLC ±. 1 PLC ±. 2 PLC ±.02 3 PLC ±.010 4 PLC ±. ANGLES ±.5°		APVD M. PERCHERKE 06OCT2008				
MATERIAL - 3		PRODUCT SPEC -	SIZE A3	CAGE CODE 00779	DRAWING NO C-1766060	RESTRICTED TO -
FINISH - 4		APPLICATION SPEC -	SCALE 6:1		SHEET 1 OF 1	REV A
CUSTOMER DRAWING		WEIGHT -				

ELCON DRAWER