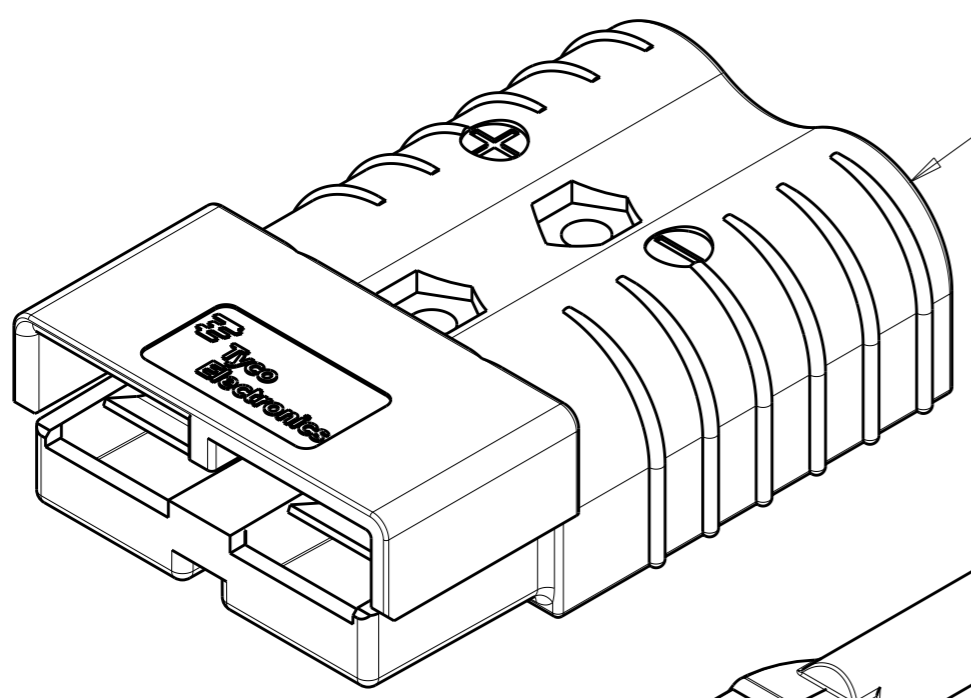
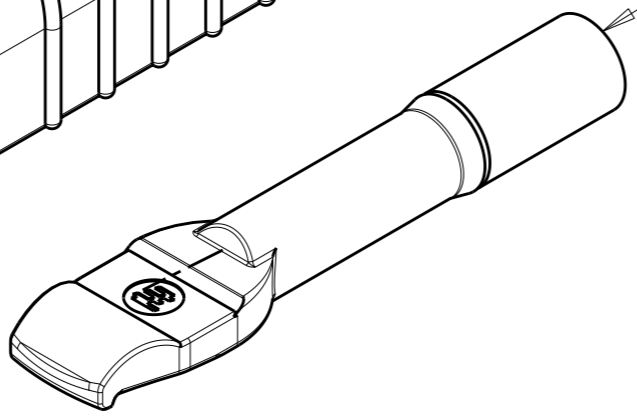


THIS DRAWING IS UNPUBLISHED. RELEASED FOR PUBLICATION 20  
 © COPYRIGHT 20 BY TYCO ELECTRONICS CORPORATION. ALL RIGHTS RESERVED.

LOC	DIST	REVISIONS			
P	LTR	DESCRIPTION	DATE	DWN	APVD
FT	0	AI	REVISED PER ECR-10-010379	24MAY2010	HMR JR



HOUSING-SPRING SUB-ASSY, 1 REQD  
 TYCO PART NUMBER  
 1604050-1 THRU -6 (INCLUSIVE)  
 MAY BE ORDERED SEPARATELY



CONTACT, 1/0 AWG, 2 REQD  
 TYCO PART NUMBER 1604055-1  
 MAY BE ORDERED SEPARATELY

GREEN	1604060-6
BLUE	1604060-5
GRAY	1604060-4
RED	1604060-3
ORANGE	1604060-2
YELLOW	1604060-1
HOUSING COLOR	PART NUMBER

THIS DRAWING IS A CONTROLLED DOCUMENT FOR TYCO ELECTRONICS CORPORATION  
 IT IS SUBJECT TO CHANGE AND THE CONTROLLING ENGINEERING ORGANIZATION  
 SHOULD BE CONTACTED FOR THE LATEST REVISION.

DIMENSIONS: mm	TOLERANCES UNLESS OTHERWISE SPECIFIED: 0 PLC ±- 1 PLC ±0.4 2 PLC ±0.13 3 PLC ±0.050 4 PLC ±- ANGLES ±-	DWN 10APR2002 Brent D. Yohn	Tyco Electronics Harrisburg, PA 17105-3608
MATERIAL -	FINISH -	CHK 10APR2002 W.H. BERNHART	
		APVD 10APR2002 W.H. BERNHART	NAME CONNECTOR KIT, SERIES 350 AMP, POWER CONNECTOR, 1/0 AWG WIRE
		PRODUCT SPEC -	SIZE A3
		APPLICATION SPEC -	CAGE CODE 00779
		WEIGHT -	DRAWING NO C-1604060
		CUSTOMER DRAWING	RESTRICTED TO -
		SCALE	SHEET OF REV AI

# Mouser Electronics

Authorized Distributor

Click to View Pricing, Inventory, Delivery & Lifecycle Information:

[TE Connectivity:](#)

[1604060-2](#)