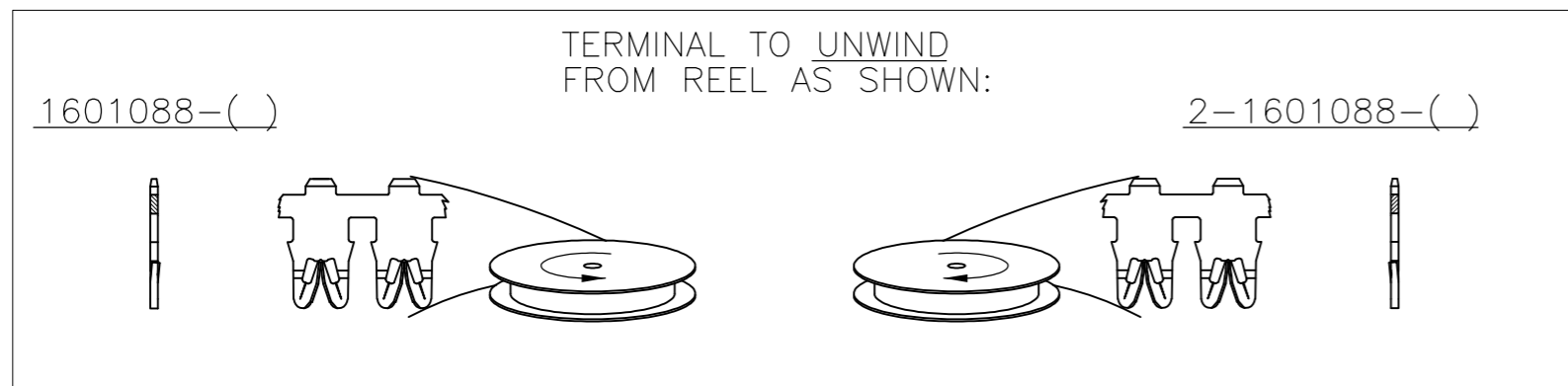
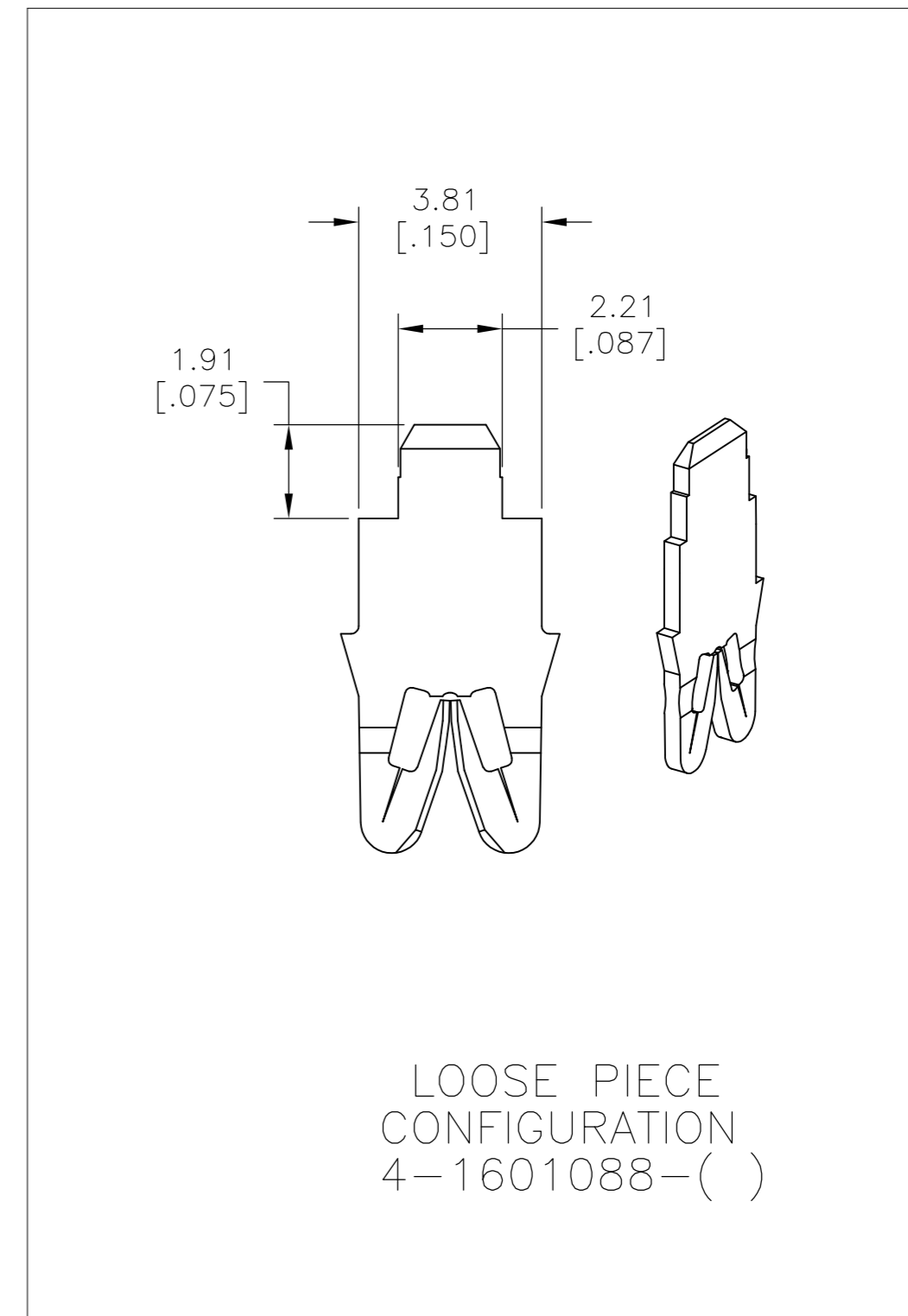
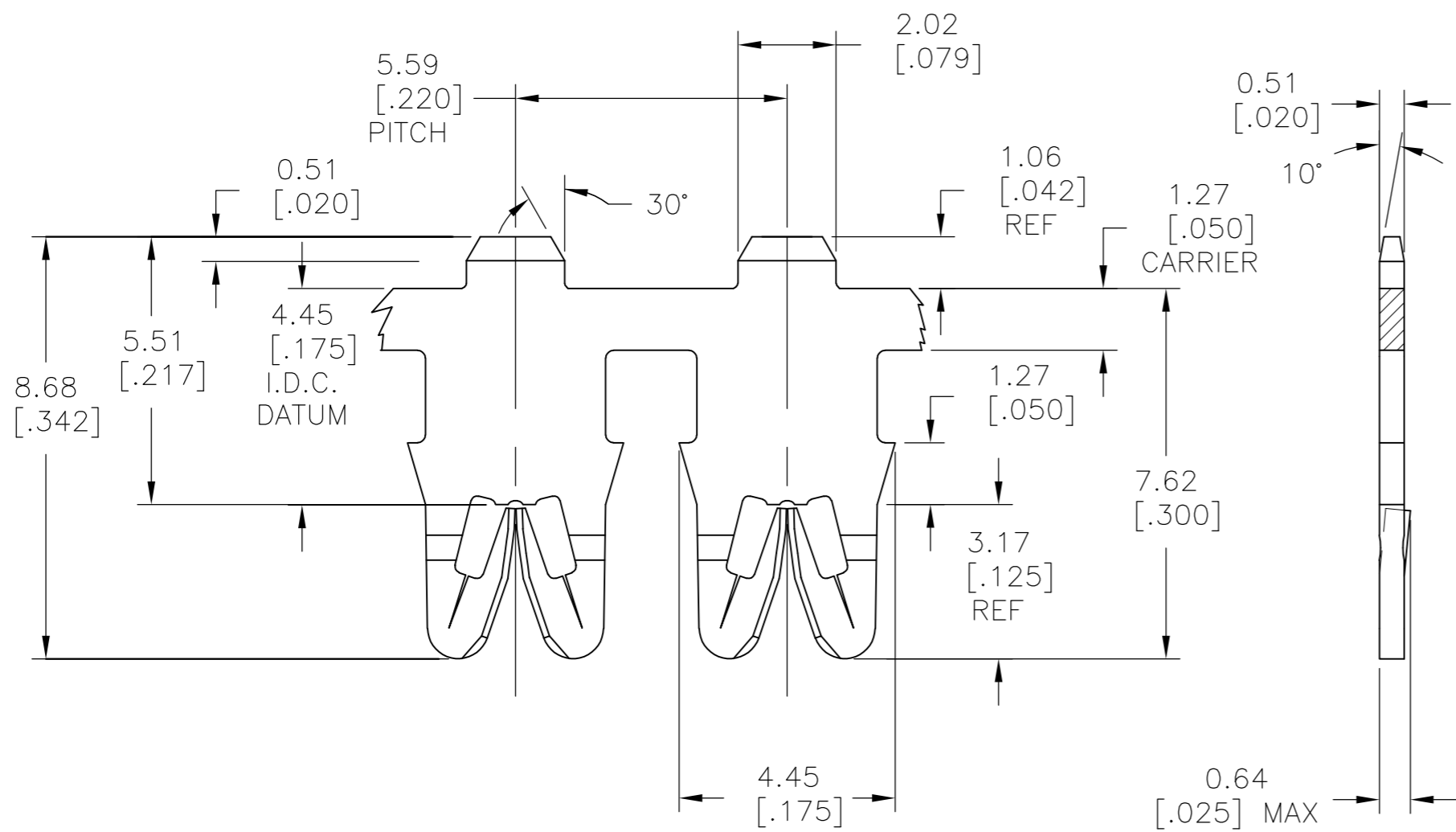


THIS DRAWING IS UNPUBLISHED. RELEASED FOR PUBLICATION  
 © COPYRIGHT BY TYCO ELECTRONICS CORPORATION. ALL INTERNATIONAL RIGHTS RESERVED.

| LOC |     | DIST        |                           | REVISIONS |         |      |    |
|-----|-----|-------------|---------------------------|-----------|---------|------|----|
| P   | LTR | DESCRIPTION |                           | DATE      | DWN     | APVD |    |
| AF  | 50  | B1          | REVISED PER ECR-10-010018 |           | 19MAY10 | HMR  | CJ |



NOTE:

1. MAGNET WIRE: #18 - 34 AWG, 1.02[.040] - 0.16[.006] DIA COPPER. OTHER SIZES MAY BE ACCOMMODATED, CONSULT TYCO ELECTRONICS FOR APPROVAL.

2. POCKET RECOMMENDATION: #1601425 EXCEPT ONLY 7.87 [.310] DEEP

3. TERMINAL APPLICATION TO COMPLY WITH TYCO ELECTRONICS APPLICATION SPECIFICATION 114-13166 FIGURE 7.

OBSOLETE

|  |  |   |
|--|--|---|
| Pre Tin Plate                          | 031-159-002                            | 4-1601088-2   |
| Pre Tin Plate                          | 131-160-002                            | 2-1601088-2   |
| Pre Tin Plate                          | 131-159-002                            | 1601088-2   |
| FINISH                                 | REFERENCE PART NUMBER                  | TE PART NUMBER  |
| THIS DRAWING IS A CONTROLLED DOCUMENT. |  |   |
| DWN J.WELLER 11JAN2002                 |  | Tyco Electronics Corporation<br>Harrisburg, PA 17105-3608   |
| CHK M.FEHER 11JAN2002                  |  |   |
| APVD K.RANDOLPH 11JAN2002              |  |   |
| PRODUCT SPEC 108-2085                  |  |   |
| APPLICATION SPEC 3                     |  | NAME STANDARD RANGE WIRE TO 2.0 x 0.51 TAB SIAMEZE TERMINAL |
| DIMENSIONS: mm [INCHES]                | TOLERANCES UNLESS OTHERWISE SPECIFIED: | SIZE CAGE CODE DRAWING NO RESTRICTED TO                     |
| 0 PLC ± -                              | 1 PLC ± -                              | A2 00779 C=1601088  |
| 2 PLC ± 0.13[.005]                     | 3 PLC ± -                              | SCALE 8:1 SHEET 1 OF 1 REV B1                               |
| 4 PLC ± -                              | ANGLES ± 2°                            |   |
| MATERIAL BRASS, SPRING HARD            | FINISH SEE TABLE                       | CUSTOMER DRAWING  |

# Mouser Electronics

Authorized Distributor

Click to View Pricing, Inventory, Delivery & Lifecycle Information:

[TE Connectivity:](#)

[1601088-2](#)