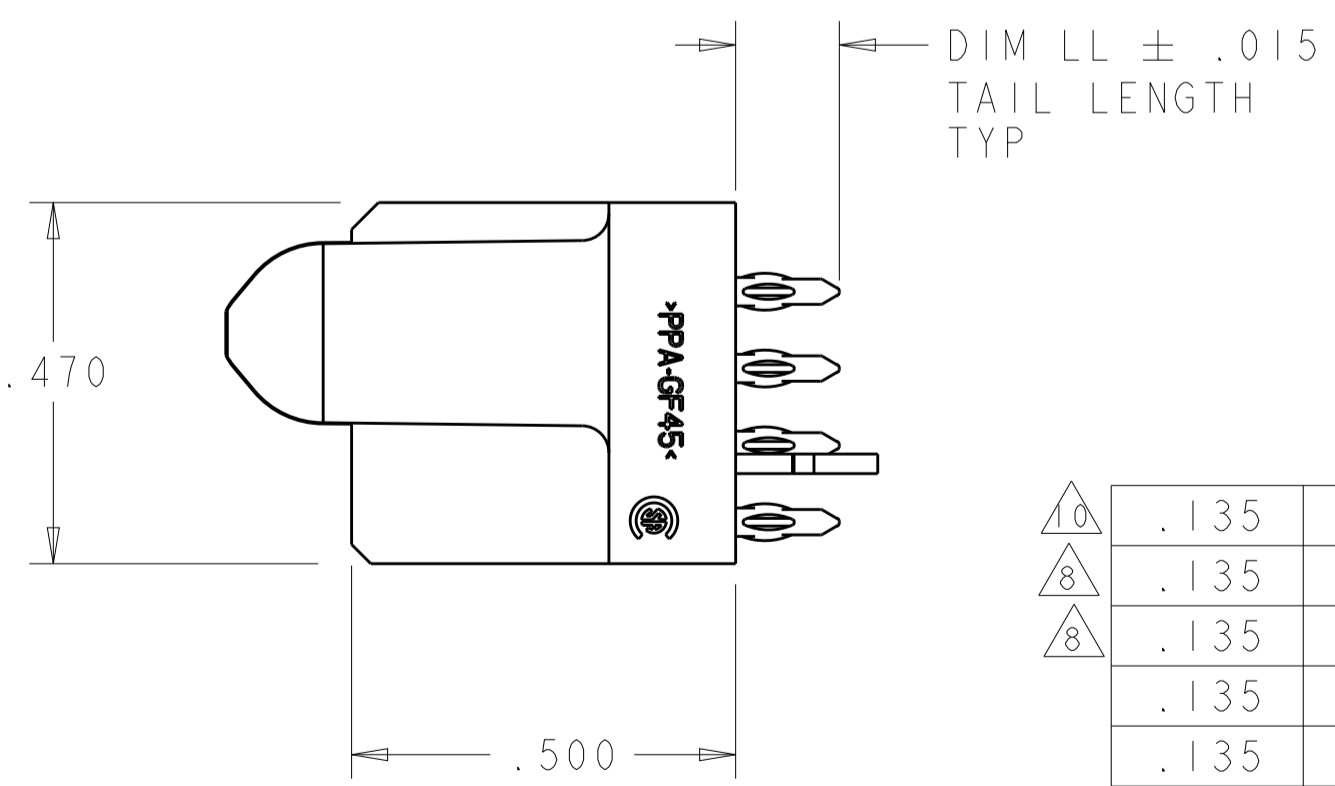
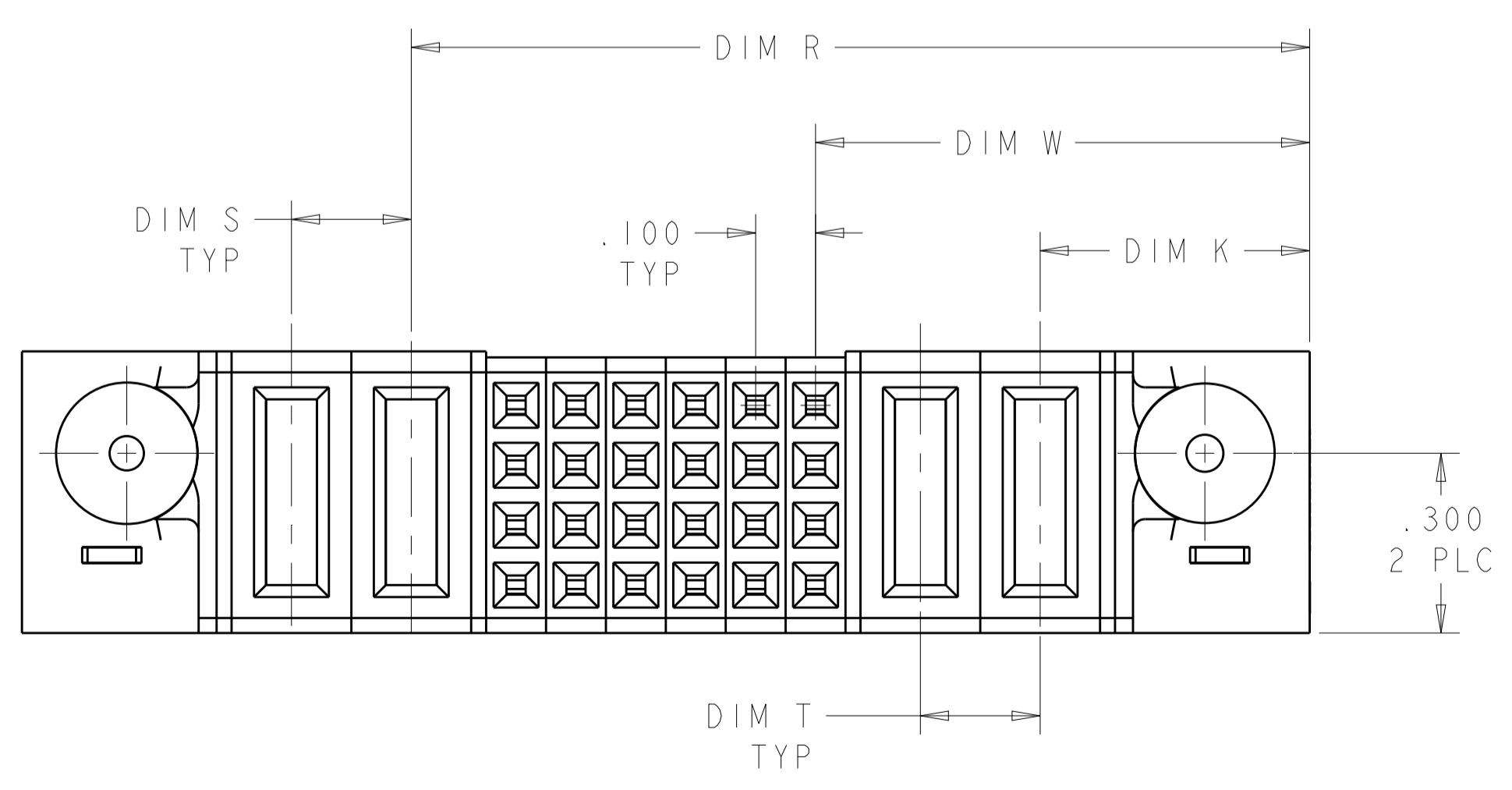
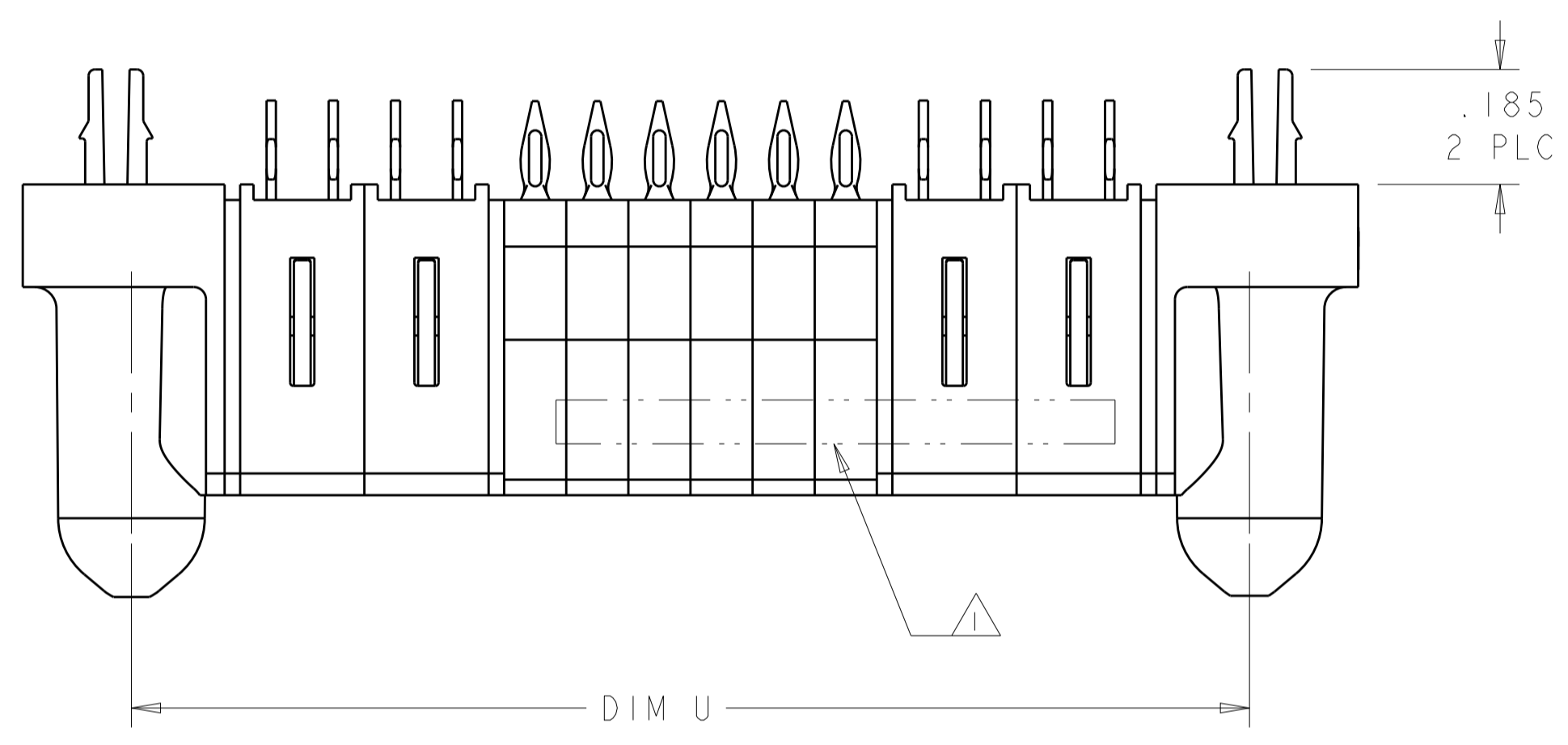
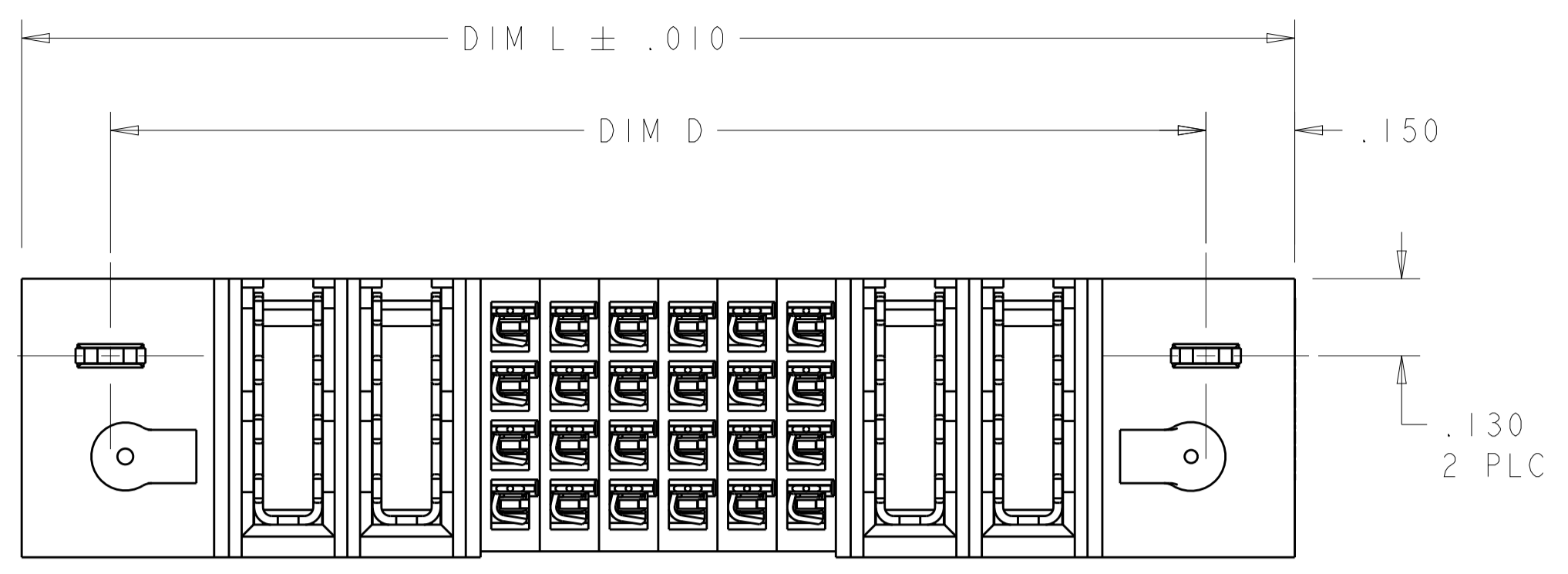


LOC		DIST		REVISIONS			
ES	00	P	LTN	DESCRIPTION	DATE	DMN	APVD
		D4		REV PER ECR-13-004638	20MAR2013	ML	SZ



- △ PART NUMBER, AND DATE CODE MARKED IN AREA SHOWN.
- △ MATERIAL:
 HOUSING - GLASS FILLED HIGH TEMP THERMO PLASTIC, UL94 V-0
 SIGNAL CONTACT - COPPER ALLOY
 POWER CONTACT - HIGH CONDUCTIVITY COPPER ALLOY
- △ CONTACT PLATING: NOBLE METAL PLATING ON CONTACT FUNCTIONAL AREA OF SIGNAL AND POWER CONTACTS.
- △ MECHANICAL CONNECTOR KEEP OUT ZONE.
- △ DATUM AND BASIC DIMENSIONS ESTABLISHED BY CUSTOMER.
- △ PCB - ALL HOLE DIAMETERS ARE FINISHED HOLE SIZES.
- △ PCB - .0453±.0010 DRILLED HOLES PLATED WITH .0003 MIN Sn OVER .001 TO .003 Cu PLATING TO ACHIEVE A .040 HOLE.
- △ NOT RELEASED FOR PRODUCTION.
- △ POWER CONTACT AREA LUBRICATED WITH LUBRICANT.
- △ THE SPECIAL DIMENSION ONLY FOR 1892430-6 (SEE SHEET 2)

△10	.135	.200	4.725	4.175	.200	2.025	7.600	7.650	7.950	64S+11HDP+20S+15HDP	1892430-6
△8	.135	.250	1.550	.875	.250	.450	1.900	1.950	2.250	2P + 24S + 2P	1892430-5
△6	.135	.250	2.550	1.875	.250	.450	3.900	3.950	4.250	6P + 24S + 6P	1892430-4
	.135	.250	1.950	1.275	.300	.475	3.050	-	3.400	3ACP + 24S + 5P	1892430-3
	.135	-	1.425	.700	-	.475	1.575	-	1.925	1P + 24S + 1P	1892430-2
	.135	.200	1.500	.825	.200	.450	1.800	1.850	2.150	2HDP + 24S + 2HDP	1892430-1
	DIM LL	DIM S	DIM R	DIM W	DIM T	DIM K	DIM U	DIM D	DIM L	DESCRIPTION	PART NUMBER

THIS DRAWING IS A CONTROLLED DOCUMENT. DWN: C.ZHOU 11OCT2006
 CHK: SUNY ZHAO 10OCT2006
 APVD: S.YAO

TE Connectivity

NAME: VERTICAL RECEPTACLE ASSEMBLY PRESS FIT,W/GUIDES MULTI-BEAM XL

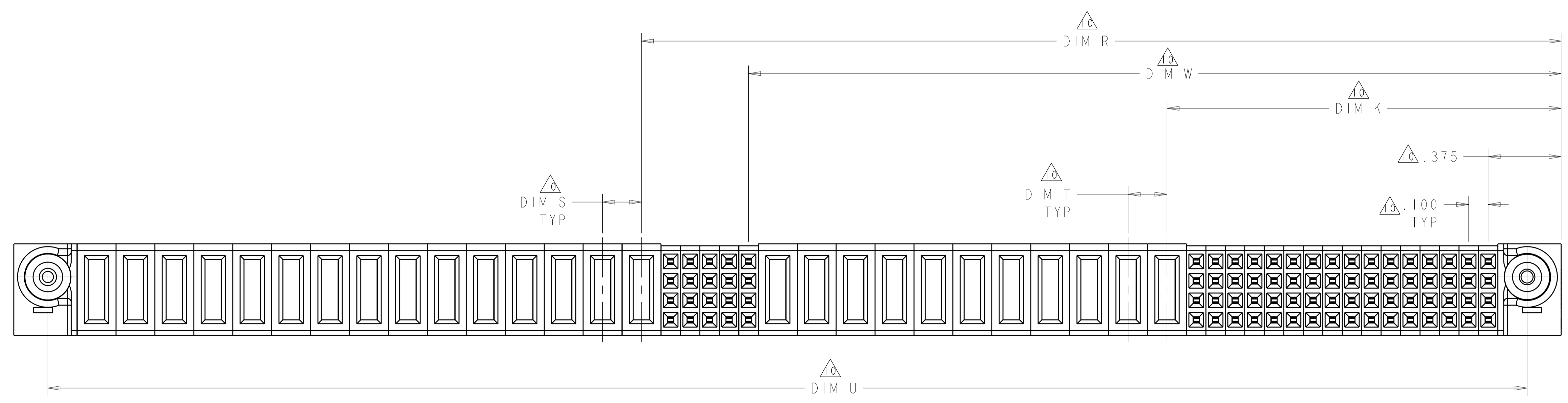
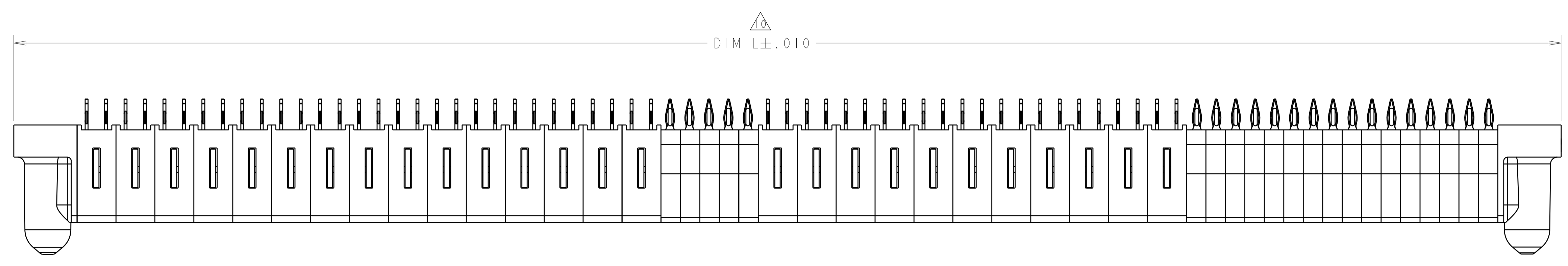
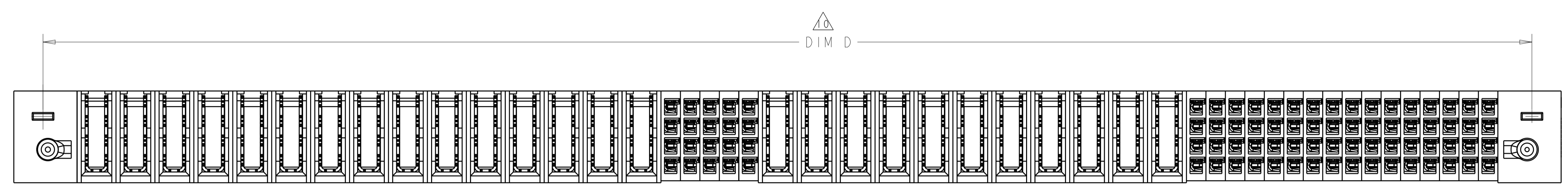
PRODUCT SPEC: 108-1973
 APPLICATION SPEC: 114-13038

SIZE: A1
 CAGE CODE: 00779
 DRAWING NO: 1892430

RESTRICTED TO: Customer Drawing

SCALE: 4:1 SHEET 1 OF 5 REV D4

LOC	DIST	REVISIONS			
P	LTN	DESCRIPTION	DATE	DMN	APVD
ES	00	SEE SHEET 1	-	-	-



PART NUMBER 1892430-6
 UNSPECIFIED DIMENSION REFER TO SHEET 1

THIS DRAWING IS A CONTROLLED DOCUMENT.		DMN C. ZHOU CHK SUNY ZHAO APVD S. YAO	11OCT2006 10OCT2006 -	TE Connectivity NAME VERTICAL RECEPTACLE ASSEMBLY PRESS FIT, W/GUIDES MULTI-BEAM XL
DIMENSIONS: INCHES 		TOLERANCES UNLESS OTHERWISE SPECIFIED: 0 PLC ±. 1 PLC ±.01 2 PLC ±.01 3 PLC ±.005 4 PLC ±.0020 ANGLES 90°/30°		
MATERIAL		FINISH		SIZE CAGE CODE DRAWING NO A100779C=1892430 Customer Drawing
SCALE 4:1			SHEET 2 OF 5	REV D4

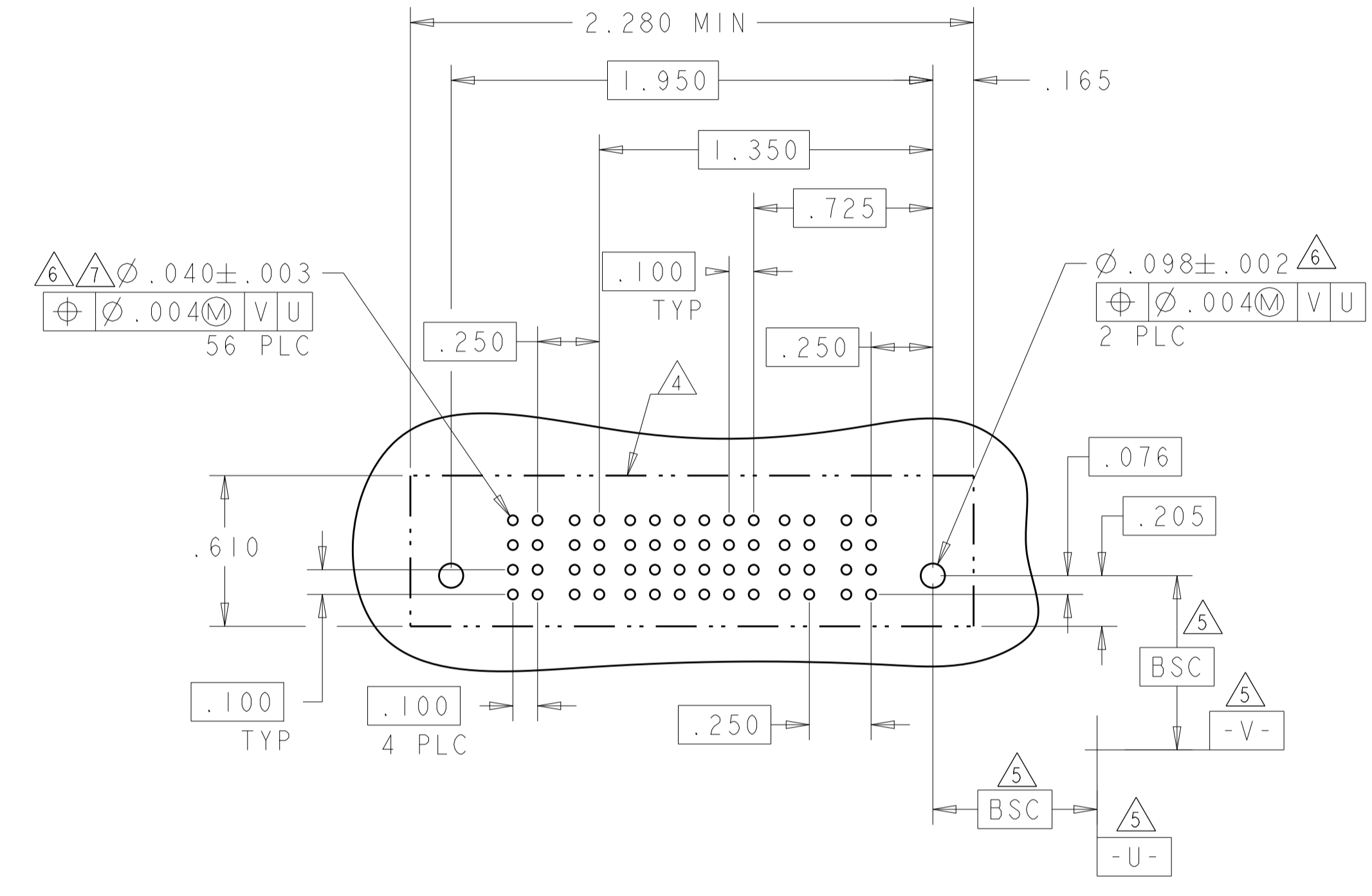
LOC	DIST	REVISIONS			
P	LTN	DESCRIPTION	DATE	DMN	APVD
-	-	SEE SHEET 1	-	-	-

PART NUMBER	ROWS	POWER				SIGNAL					POWER	
		P4	P3	6	5	4	3	2	1	P2	P1	
1892430-5	D C B A	GP	GP	AP	AP	AP	AP	AP	AP	AP	GP	GP
		AP	AP	AP	AP	AP	AP	AP	AP	AP	GP	GP
		AP	AP	AP	AP	AP	AP	AP	AP	AP	GP	GP

2P + 24S + 2P

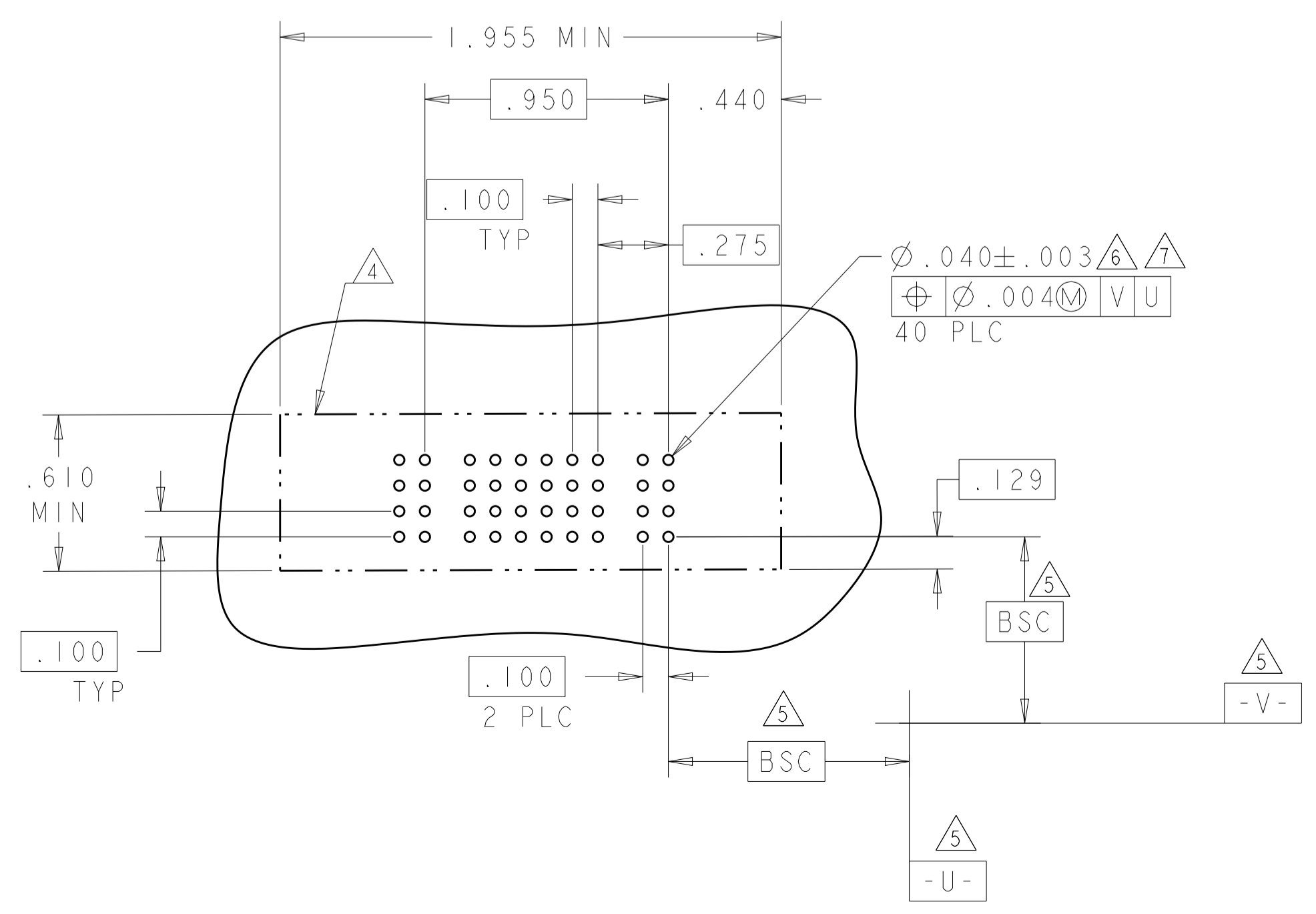
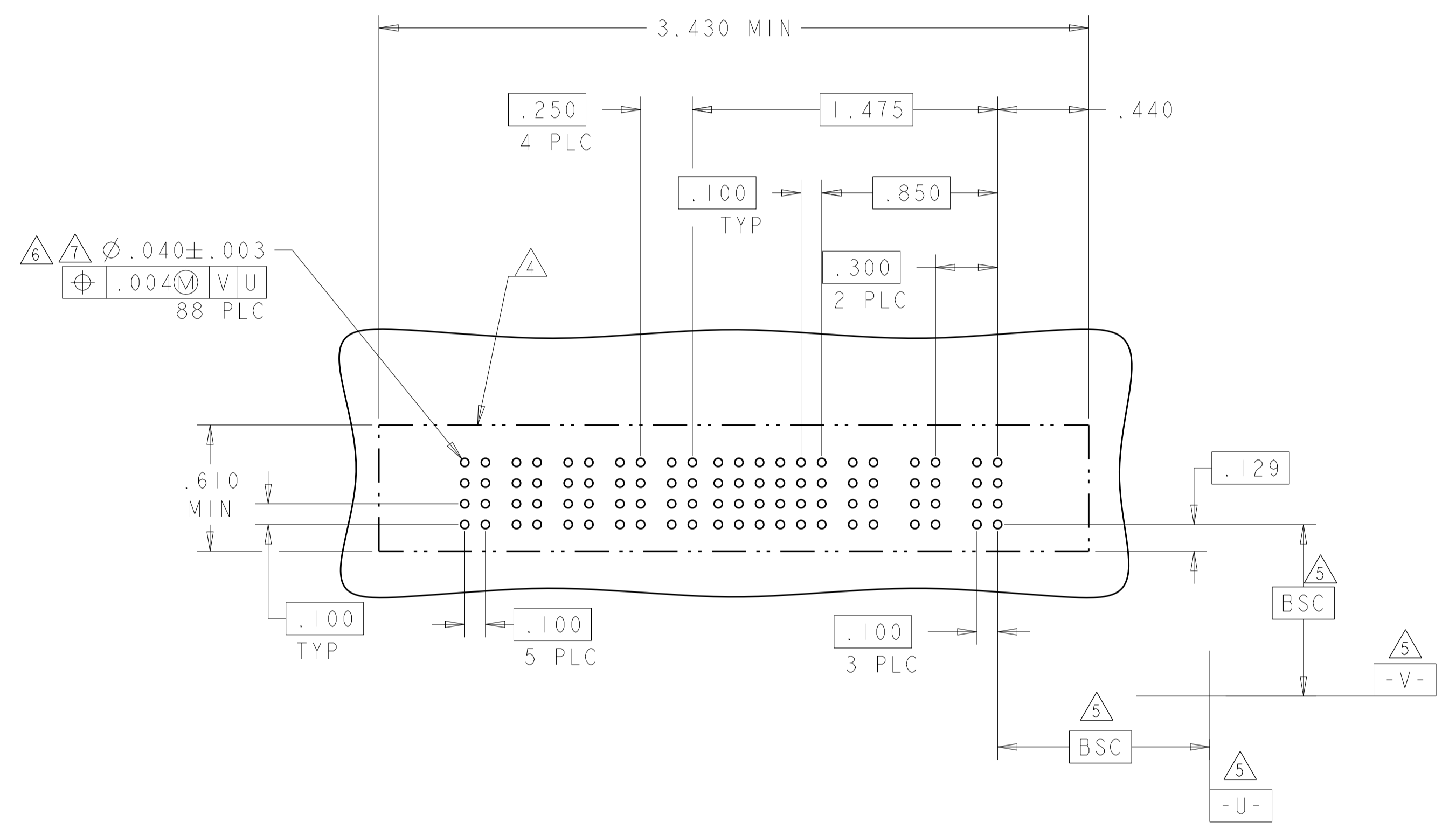
PART NUMBER	ROWS	POWER (L)				SIGNAL					POWER (R)			
		P8	P7	P6	P5	6	5	4	3	2	1	P3	P2	P1
1892430-3	D C B A	GS	GS	GS	GS	AP	AP	AP	AP	AP	AP	GP	GS	GS
		AP	AP	AP	AP	AP	AP	AP	AP	AP	AP	GP	GS	GS
		AP	AP	AP	AP	AP	AP	AP	AP	AP	AP	GP	GS	GS

3ACP + 24S + 5P



PART NUMBER	ROWS	POWER		SIGNAL					POWER	
		P2	6	5	4	3	2	1	P1	
1892430-2	D C B A	GP	AP	AP	AP	AP	AP	AP	GP	GP
		AP	AP	AP	AP	AP	AP	AP	GP	GP
		AP	AP	AP	AP	AP	AP	AP	GP	GP

1P + 24S + 1P



THIS DRAWING IS A CONTROLLED DOCUMENT.

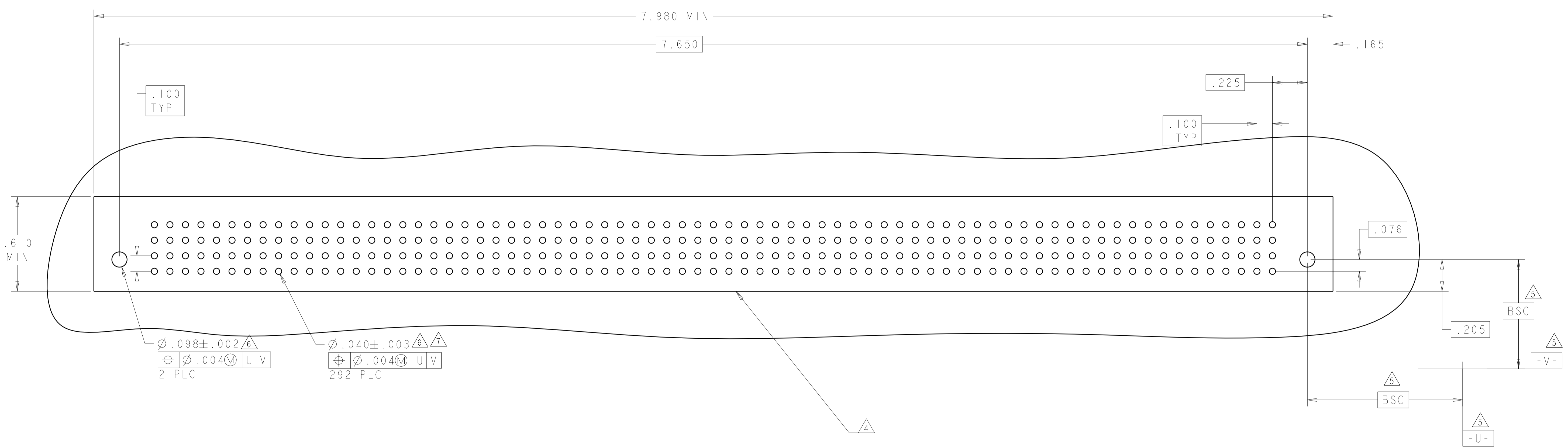
DIMENSIONS: INCHES	TOLERANCES UNLESS OTHERWISE SPECIFIED: 0 PLC ±. 2 PLC ±.01 3 PLC ±.01 4 PLC ±.005 5 PLC ±.002 ANGLES 90°/30°	FINISH	DMN C.ZHOU 11OCT2006 CHK SUNY ZHAO 10OCT2006 APVD S.YAO	NAME PRODUCT SPEC 108-1973 APPLICATION SPEC 114-13038	SIZE A1	CAGE CODE 100779	DRAWING NO 1892430	RESTRICTED TO
MATERIAL			Customer Drawing	VERTICAL RECEPTACLE ASSEMBLY PRESS FIT, W/GUIDES MULTI-BEAM XL				

SCALE 4:1 SHEET 4 OF 5 REV D4

LOC	DIST	REVISIONS			
P	LTN	DESCRIPTION	DATE	DMN	APVD
-	-	SEE SHEET 1	-	-	-

PART NUMBER	ROWS	POWER										SIGNAL					POWER										SIGNAL																				
		P26	P25	P24	P23	P22	P21	P20	P19	P18	P17	P16	P15	P14	P13	P12	S21	S20	S19	S18	S17	P11	P10	P09	P08	P07	P06	P05	P04	P03	P02	P01	S16	S15	S14	S13	S12	S11	S10	S09	S08	S07	S06	S05	S04	S03	S02
1892430-6	D C B A	GP	GS	GP	GS	GP	GS	GP	GS	GP	GS	GP	GS	GP	GS	GP	AP	AP	AP	AP	AP	GP	GS	GP	GS	GP	GS	GP	GS	GP	GS	GP	AP	AP	AP	AP	AP	AP	AP	AP	AP	AP	AP	AP	AP	AP	AP
		GP	GS	GP	GS	GP	GS	GP	GS	GP	GS	GP	GS	GP	GS	GP	AP	AP	AP	AP	AP	GP	GS	GP	GS	GP	GS	GP	GS	GP	GS	GP	AP	AP	AP	AP	AP	AP	AP	AP	AP	AP	AP	AP	AP	AP	
		GP	GS	GP	GS	GP	GS	GP	GS	GP	GS	GP	GS	GP	GS	GP	AP	AP	AP	AP	AP	GP	GS	GP	GS	GP	GS	GP	GS	GP	GS	GP	AP	AP	AP	AP	AP	AP	AP	AP	AP	AP	AP	AP	AP	AP	
		GP	GS	GP	GS	GP	GS	GP	GS	GP	GS	GP	GS	GP	GS	GP	AP	AP	AP	AP	AP	GP	GS	GP	GS	GP	GS	GP	GS	GP	GS	GP	AP	AP	AP	AP	AP	AP	AP	AP	AP	AP	AP	AP	AP	AP	

64S + 11HDP + 20S + 15HDP



THIS DRAWING IS A CONTROLLED DOCUMENT.		DMN C. ZHOU	11OCT2006	STE TE Connectivity
DIMENSIONS: INCHES		CHK SUNY ZHAO	10OCT2006	
TOLERANCES UNLESS OTHERWISE SPECIFIED:		APVD S. YAO		NAME VERTICAL RECEPTACLE ASSEMBLY PRESS FIT, W/GUIDES MULTI-BEAM XL
0 PLC ±. 1 PLC ±. 2 PLC ±.01 3 PLC ±.005 4 PLC ±.0020 FINISH 40°/30°		PRODUCT SPEC		
MATERIAL		APPLICATION SPEC		
		WEIGHT		
		Customer Drawing	SCALE 4:1	SHEET 5 OF 5

Mouser Electronics

Authorized Distributor

Click to View Pricing, Inventory, Delivery & Lifecycle Information:

[TE Connectivity:](#)

[1892430-1](#)