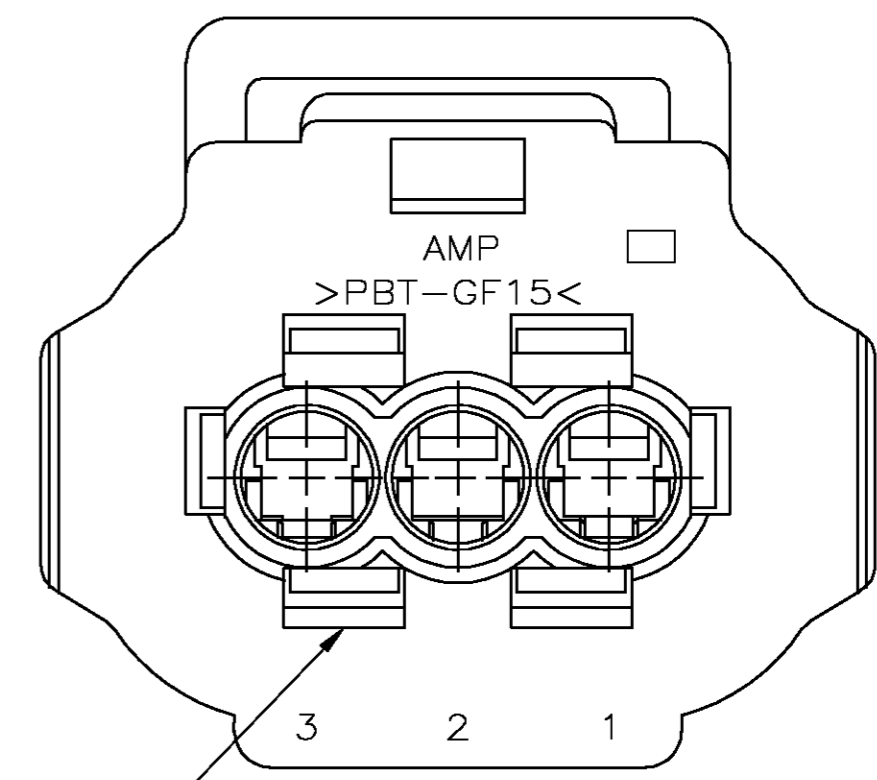
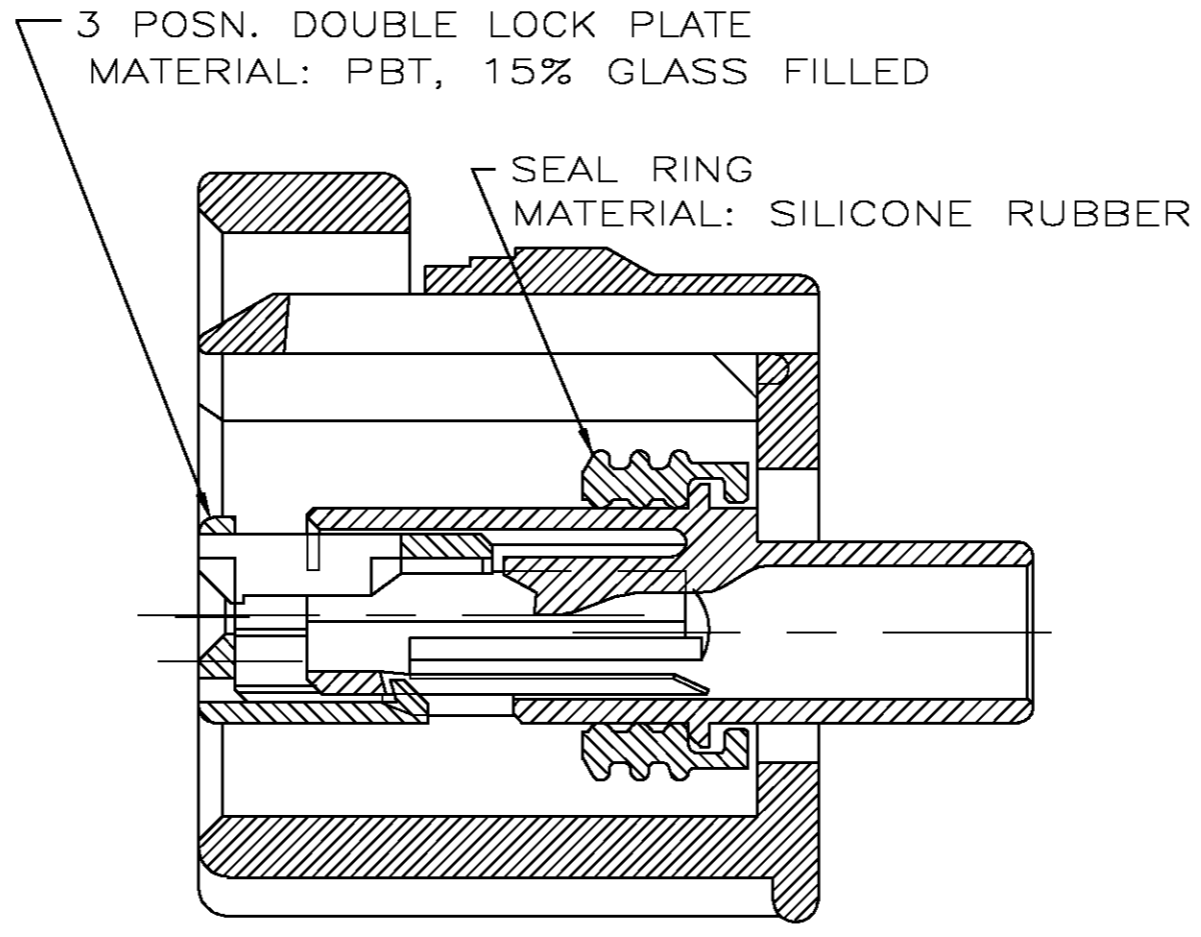
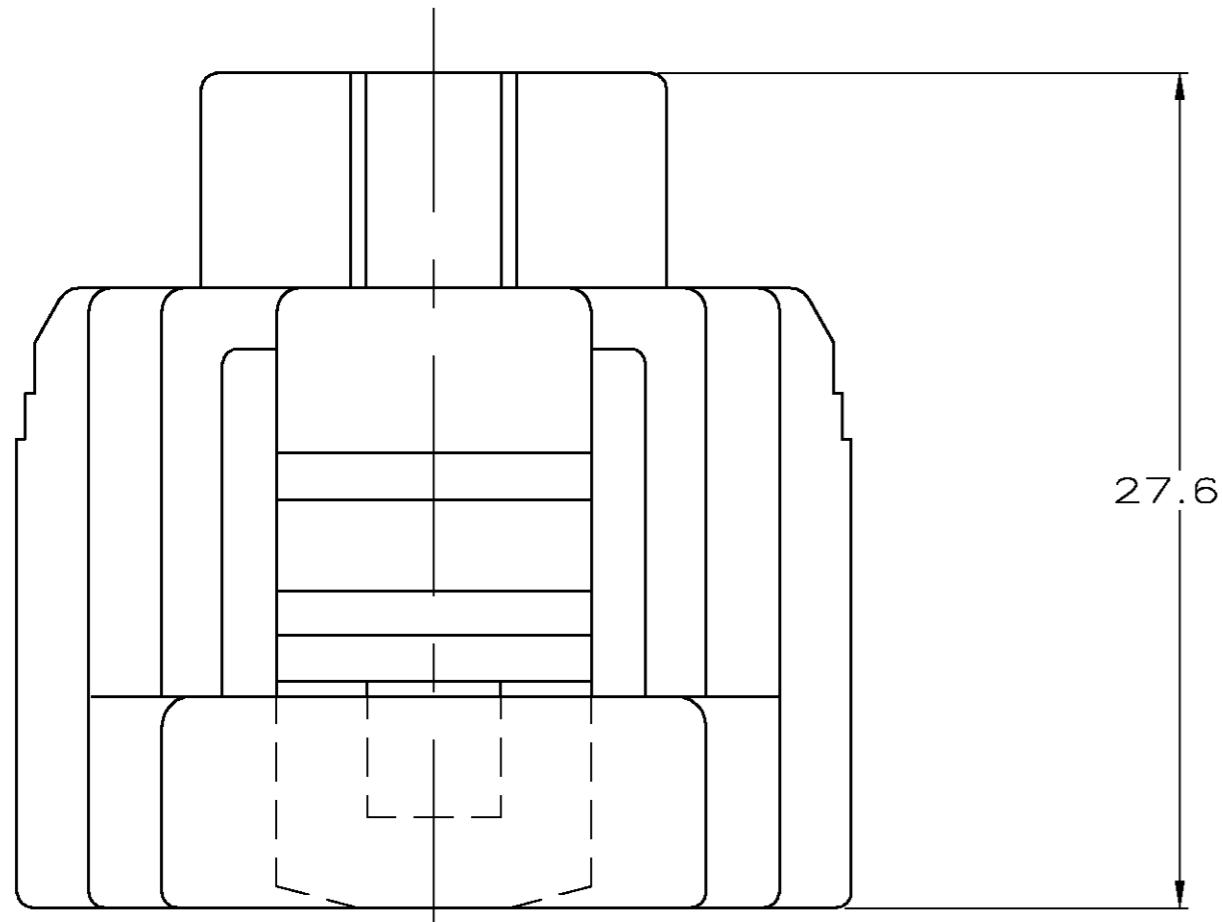


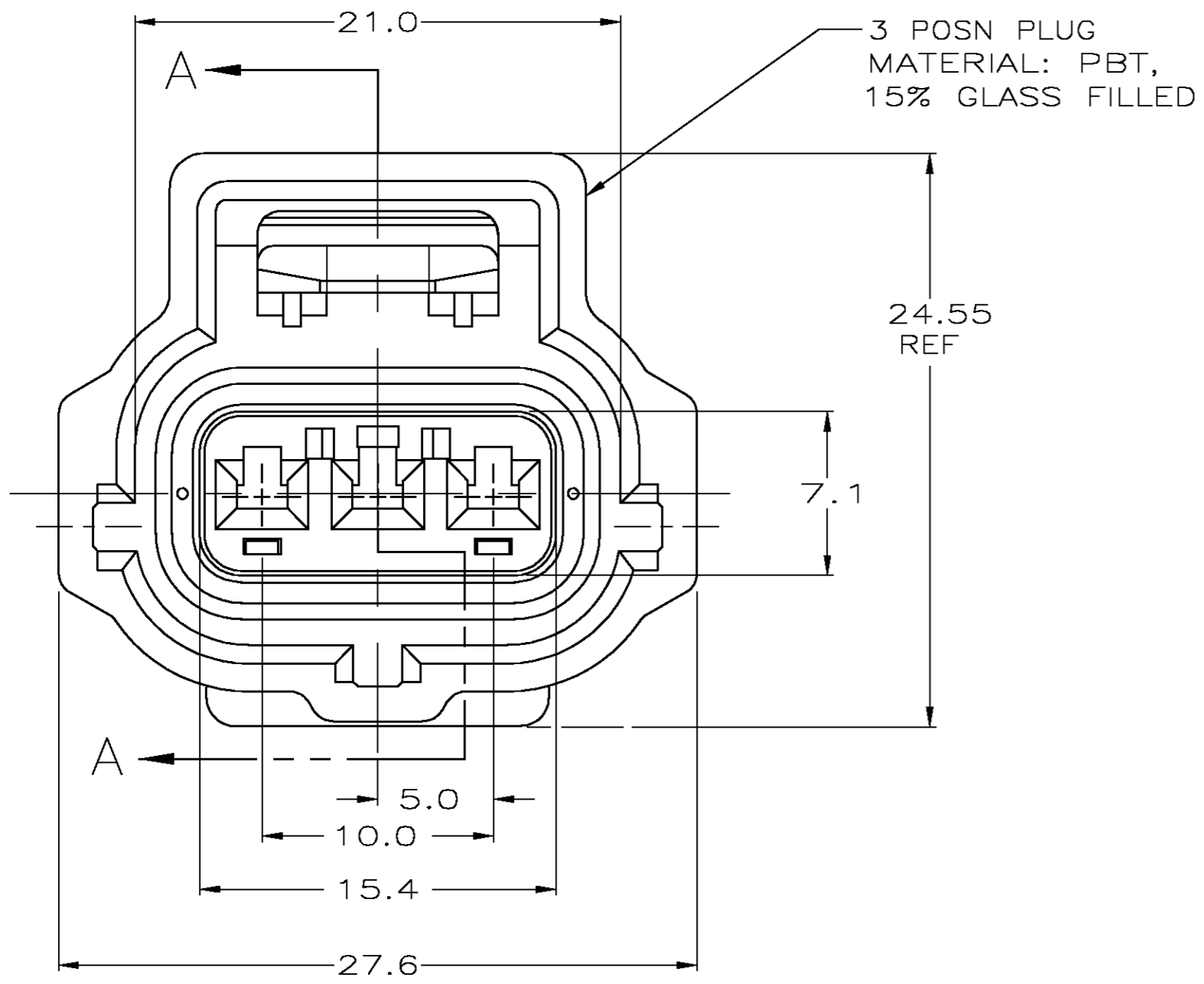
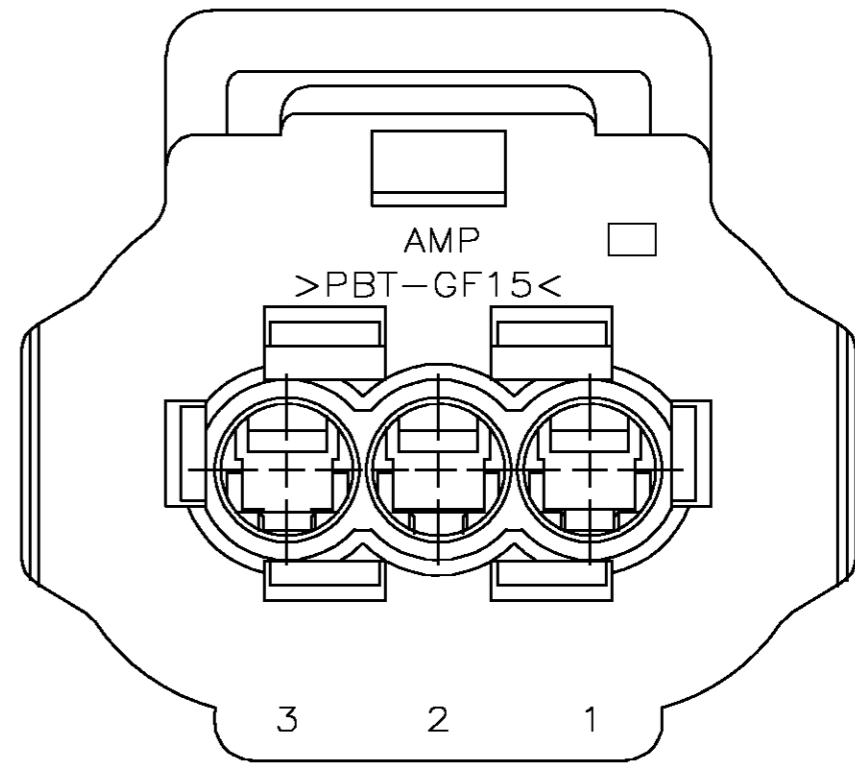
THIS DRAWING IS UNPUBLISHED. RELEASED FOR PUBLICATION  
 © COPYRIGHT BY TYCO ELECTRONICS CORPORATION. ALL RIGHTS RESERVED.

LOC		DIST		REVISIONS			
P	LTR	DESCRIPTION		DATE	DWN	APVD	
G	16	E		REVISED PER EC OK40-0387-04	19NOV2004	DLD	KLK

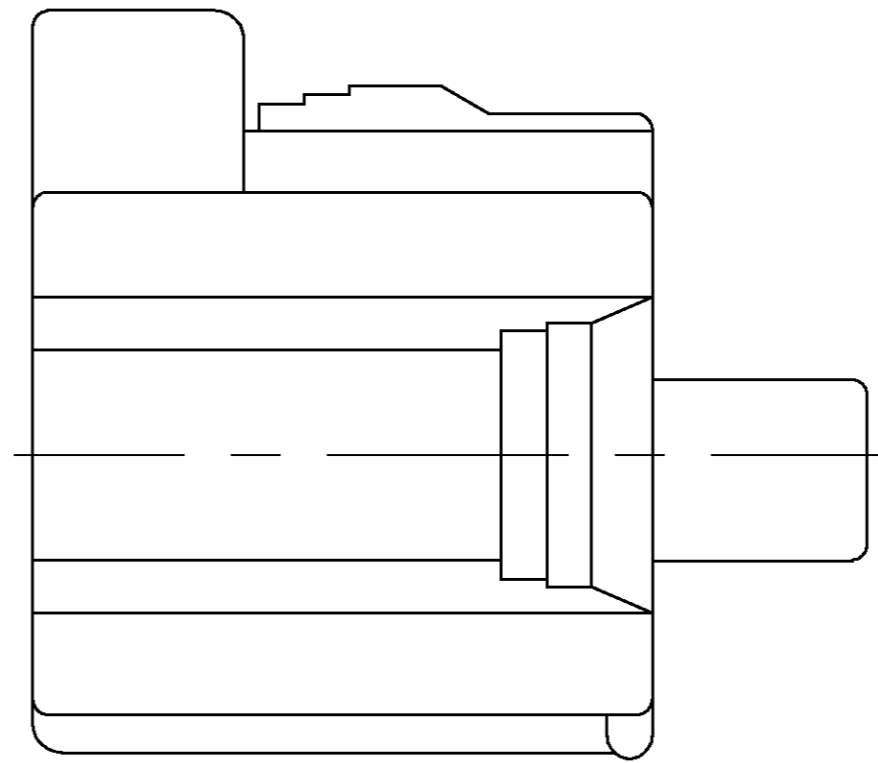


SECTION A-A

OPTIONAL CORING  
2 PLACES



3 POSN PLUG  
MATERIAL: PBT,  
15% GLASS FILLED



184034-1  
PART NO

THIS DRAWING IS A CONTROLLED DOCUMENT.		DWN	KD LYTL	12/8/94	 Tyco Electronics Corporation Harrisburg, PA 17105-3608
DIMENSIONS: MM		CHK	JP KUNKLE	12/9/94	
TOLERANCES UNLESS OTHERWISE SPECIFIED:		APVD	JP KUNKLE	12/9/94	
0 PLC ± - 1 PLC ± 0.3 2 PLC ± 0.3 3 PLC ± - 4 PLC ± - ANGLES ±1' -		PRODUCT SPEC	NAME		
MATERIAL AS NOTED		FINISH	-		APPLICATION SPEC - WEIGHT - CUSTOMER DRAWING
			SIZE	A2	CAGE CODE 00779
			DRAWING NO	C=184034	
			RESTRICTED TO	-	
			SCALE	4:1	SHEET 1 OF 1 REV E

# Mouser Electronics

Authorized Distributor

Click to View Pricing, Inventory, Delivery & Lifecycle Information:

[TE Connectivity:](#)

[184034-1](#)