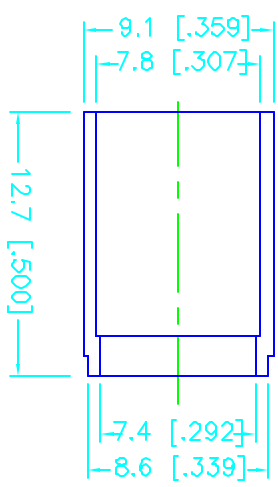
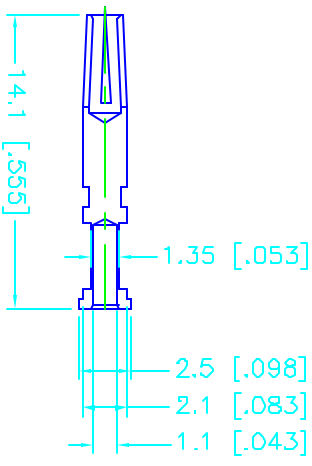
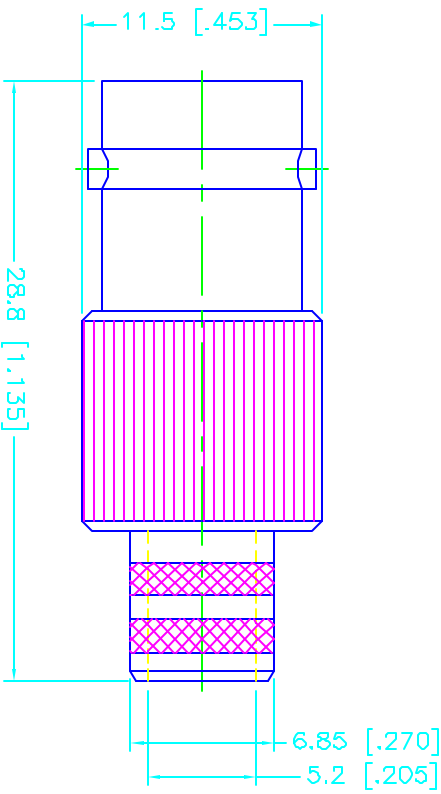
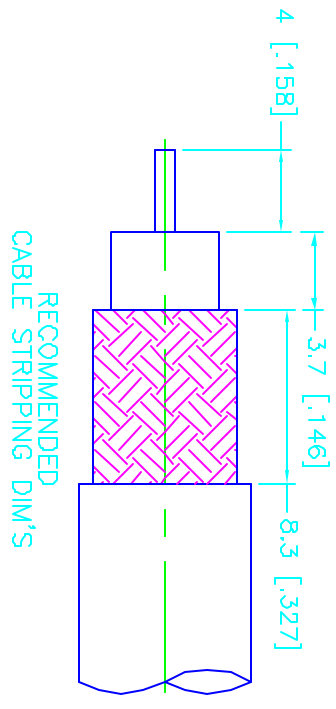


REV.	DATE	DESCRIPTION
B	09/27/99	MODIFY 1.35 DIA. DIMENSION



NOTE:
 USE .320 HEX DIE SET
 FOR OUTER CRIMP.
 CONNEX P/N 47-10100
 IDEAL P/N 30-503

DESCRIPTION	MATERIAL	FINISH	UNLESS OTHERWISE SPECIFIED DIMENSIONS ARE IN MILLIMETERS FOR CUSTOMER REFERENCE ONLY	APPROVALS	DATE	TITLE	SCALE	PART NO.	SHEET		
1 HOUSING	BRASS	NICKEL	UNLESS OTHERWISE SPECIFIED DIMENSIONS ARE IN MILLIMETERS FOR CUSTOMER REFERENCE ONLY UNLESS OTHERWISE SPECIFIED TOLERANCES FOR MILLIMETERS ARE: 0.5-6 = ± 0.2 6-30 = ± 0.4 30-120 = ± 0.6 120-315 = ± 1 315-1000 = ± 1.6 1000-2000 = ± 2.4	DRAWN	G.R.S.	09/27/99	Connex Connector Corporation BNC CRIMP JACK (FOR RG-6 BELDEN 1694A CABLE)	NA	112965	1 OF 1	
2 BODY	BRASS	NICKEL		CHECKED				SIZE	FORM NO.	DWG. NO.	REV.
3 INSULATOR	TEFLON	NATURAL		ISSUED				A	99001	112965.DWG	B
4 CONTACT PIN	PHOS. BRONZE	GOLD									
5 FERRULE	COPPER	NICKEL									
6											
7											
8				DO NOT SCALE DRAWING							