

**PLEASE CHECK WWW.MOLEX.COM FOR LATEST PART INFORMATION**

**Part Number:** [1300130354](#)  
**Status:** **Active**  
**Overview:** Brad® Mini-Change® Connectors  
**Description:** Mini-Change® A-Size Receptacle, 4 Poles, 1/2" NPT Threads, Male (Straight) to 16 AWG Leads, Length 3.66m (12.0')

**Documents:**

[Drawing \(PDF\)](#) [RoHS Certificate of Compliance \(PDF\)](#)

**Agency Certification**

CSA LR6837  
 UL E258922

**General**

Product Family Industrial Receptacles  
 Series [130013](#)  
 IP Rating IP67  
 NEMA Rating NEMA 6  
 Overview [Brad® Mini-Change® Connectors](#)  
 Product Name Mini-Change®  
 Type Single Ended (pigtail)  
 UPC 78678838620

**Physical**

Coupling Type External Thread  
 Gender Male  
 Keyway Single  
 Length 3.66m  
 Material - Component PVC  
 Mounting Thread Size 1/2" NPT  
 Orientation Straight  
 Panel Mount Front  
 Poles 4  
 Temperature Range - Operating -20°C to +105°C  
 Wire Size AWG 16  
 Wire/Cable Type UL 1015

**Electrical**

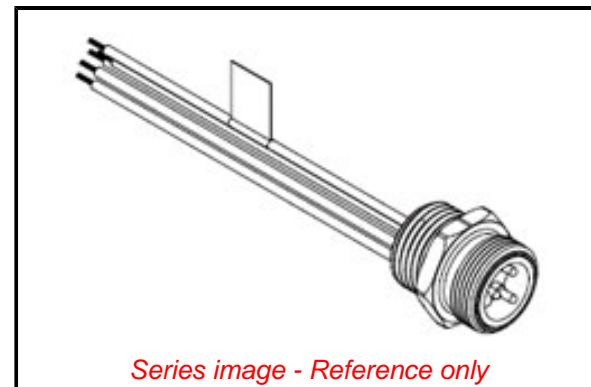
Current - Maximum per Contact 10.0A  
 Voltage - Maximum 600V

**Material Info**

Engineering Number 1R4006A20A1201

**Reference - Drawing Numbers**

Sales Drawing SD-130013-040



*Series image - Reference only*

**EU ELV**

**Not Relevant**

**EU RoHS**

**Not Reviewed**

**REACH SVHC**

Not Reviewed

**Halogen-Free**

**Status**

**Not Reviewed**

**Need more information on product environmental compliance?**

Email [productcompliance@molex.com](mailto:productcompliance@molex.com)  
 Please visit the [Contact Us](#) section for any non-product compliance questions.

China ROHS	Not Reviewed
ELV	Not Relevant
RoHS Phthalates	Not Reviewed

**China RoHS**

**Search Parts in this Series**  
[130013 Series](#)