

AMP AMP Connect

MAIN MENU HELP
FAMILIES REGISTRATION

Alphabetical Picture Part Number
SEARCH SEARCH SEARCH

Go To Step Search™ Screen

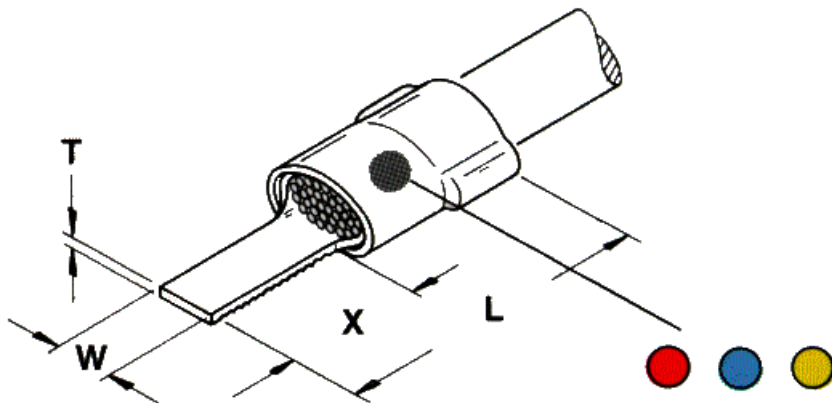
131443 -- 1 of 1 products

Terminals and Splices
Miscellaneous Terminals

General **INFO**

Sales **INFO**

Customer Drawings
SPECIFICATIONS



Line art represents typical product only.

Searchable Features:

Product Type	Wire Pin
Insulation Support	Insulation Support
Wire Range	22-16 [0.25-1.60 ²] AWG [mm]
Double Wire	No

Other Properties:

Dim. L	.874 [22.20] in. [mm]
Dim. T	.031 [0.80] in. [mm]
Dim. W	.114 [2.90] in. [mm]
Dim. X	.433 [11.00] in. [mm]
Shape	WIRE PIN-002
Insulation	Yes
Insulation Diameter	.140 [3.56] Max. in. [mm]
Insulation Sleeve Material	Vinyl
Color	Red
Finish	Tin
Material	Copper
DIN Wire Size	[0.50-1.00 ²] in. [mm]
Packaging Method	Loose Piece
AMP Proprietary Name	PLASTI-GRIP
CERTI-CRIMP Hand Tool	47386-4, 525690-0 (Great Britain Tool)
CERTI-LOK Hand Tool Frame Assembly	169400
CERTI-LOK Die Assembly	169404
Comment	Available On-Tape for Automatic Termination.