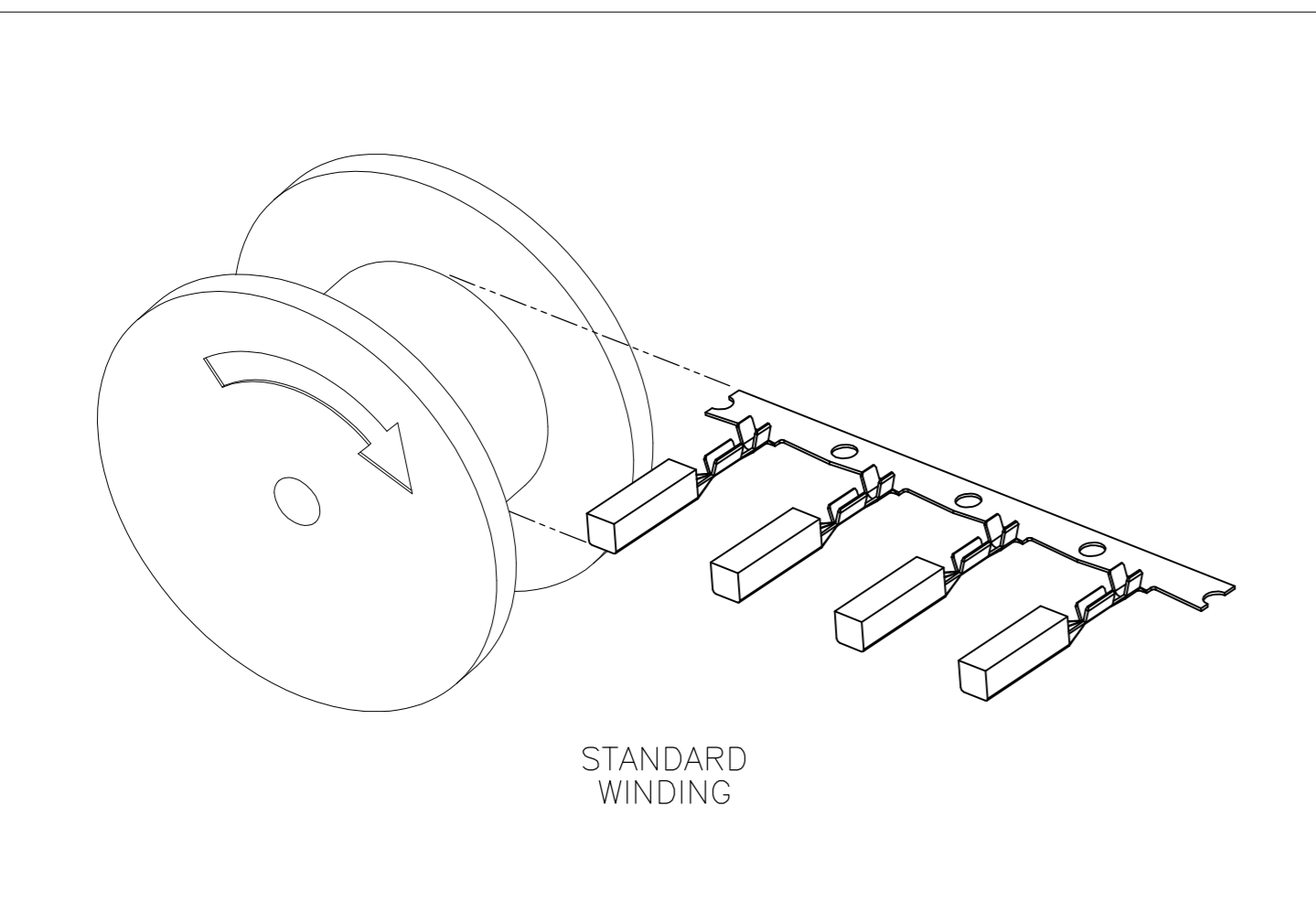
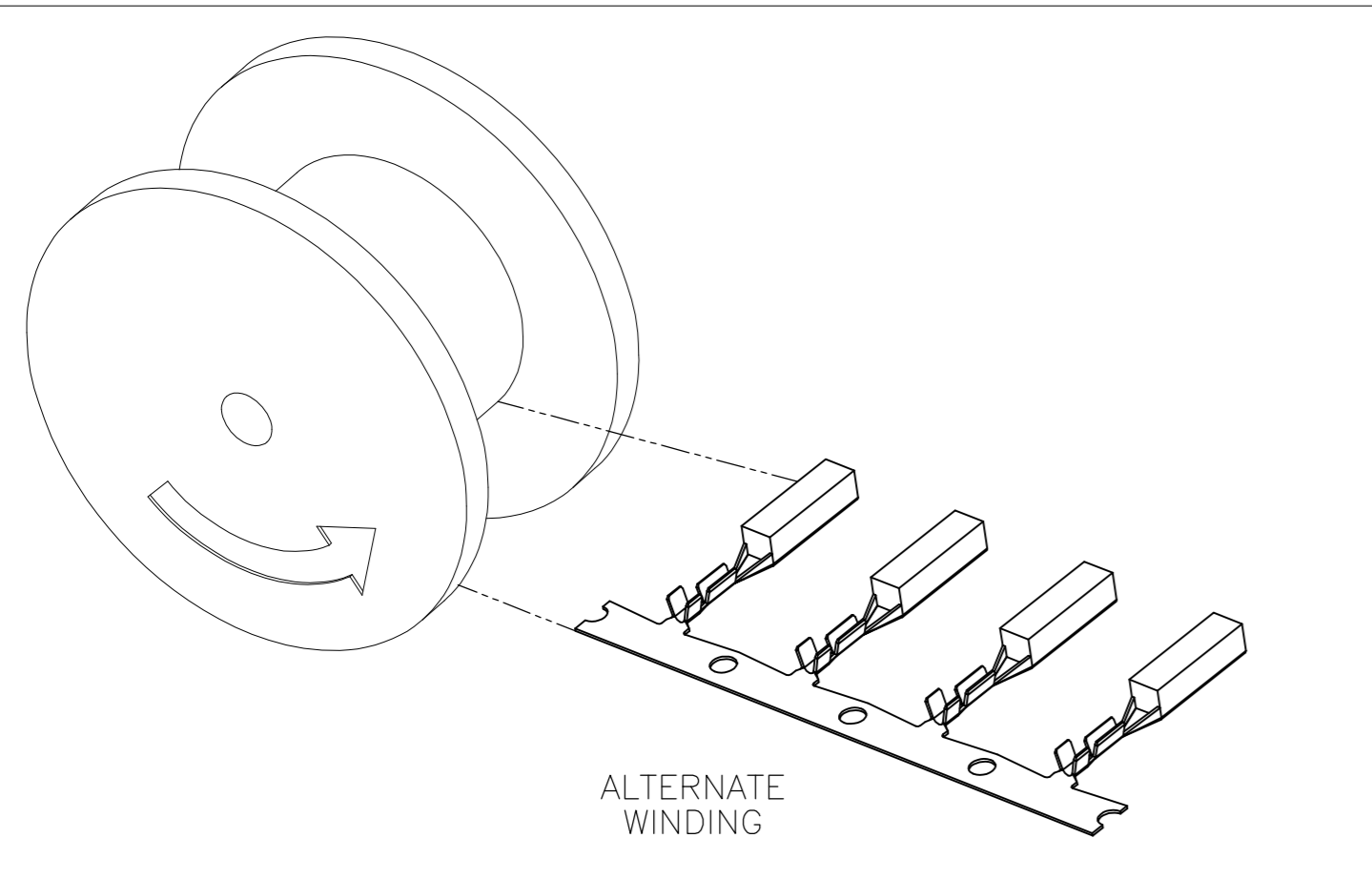
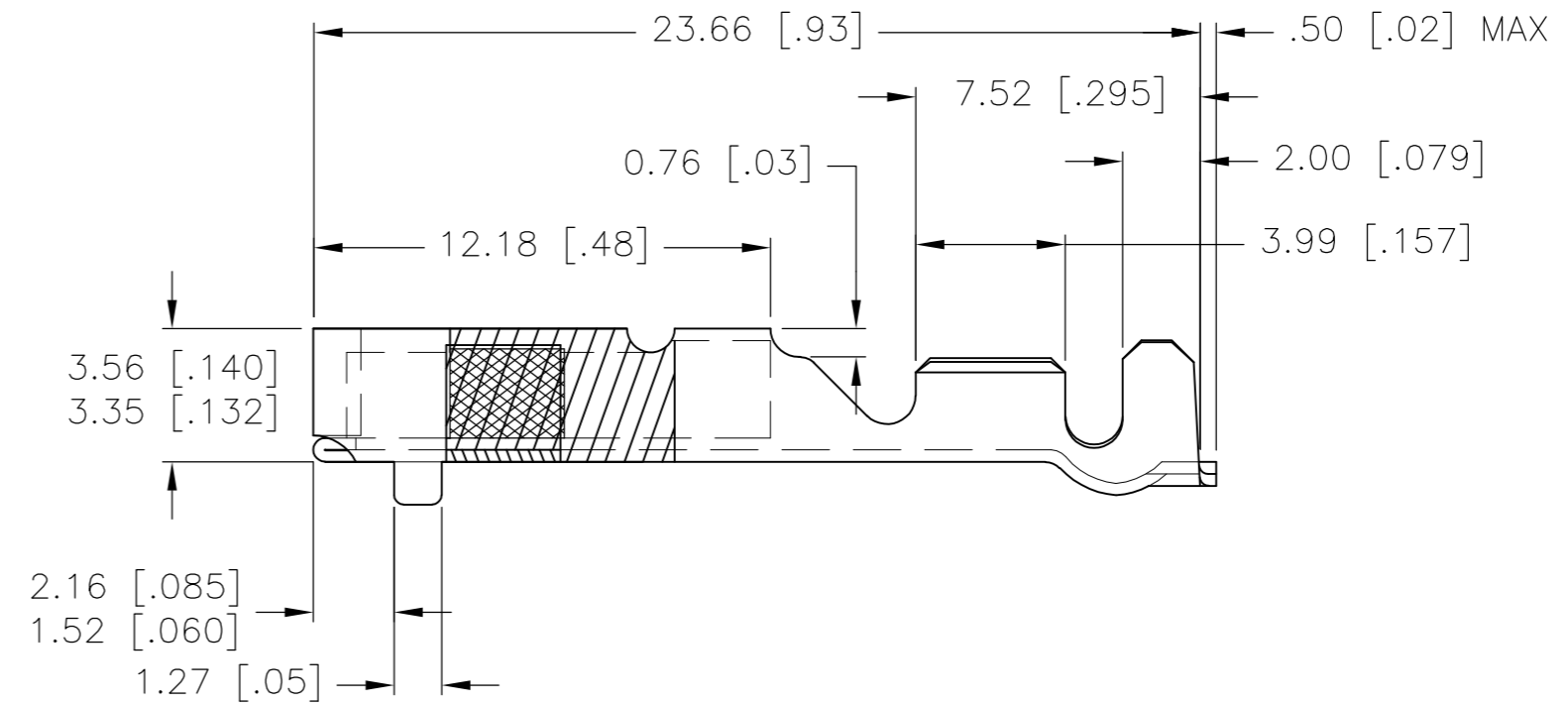
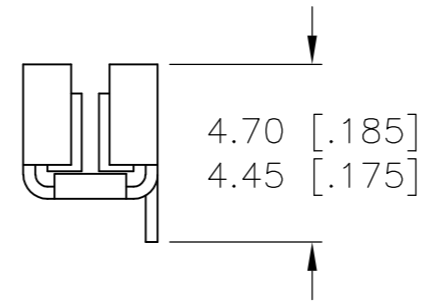
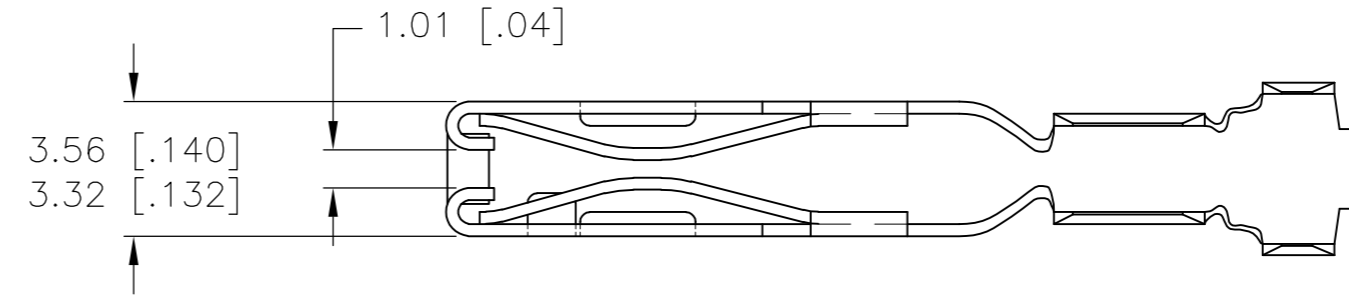


THIS DRAWING IS UNPUBLISHED. RELEASED FOR PUBLICATION
 © COPYRIGHT - By - ALL RIGHTS RESERVED.

LOC		DIST		REVISIONS			
P	LTR	DESCRIPTION		DATE	DWN	APVD	
FX	00	D		REVISED PER ECO-15-007330	25AUG2015	DD	WW



SELECT GOLD	20, 18	1438232-5	18	-
PRE-TIN	-	1438232-4	22	-
PRE-TIN	16, 14	1438232-3	14	1-1438232-0
PRE-TIN	20, 18	1438232-2	18	-
PRE-TIN	19	1438232-1	19	1-1438232-2
PLATING	WIRE SIZE	TE PART No.	GRIP CODE	REWOUND GRIPS DOWN BOTTOM TO TOP

THIS DRAWING IS A CONTROLLED DOCUMENT.		DWN	JR BUSSARD	09MAY2003		TE Connectivity				
DIMENSIONS: mm		CHK	DM REVAK	09MAY2003		NAME				
TOLERANCES UNLESS OTHERWISE SPECIFIED:		APVD	DM REVAK	09MAY2003		TERMINAL, MINI-BLADE, RECEPTACLE (FEMALE)				
0 PLC ± - 1 PLC ± - 2 PLC ± .25 3 PLC ± - 4 PLC ± - ANGLES ± 1°		PRODUCT SPEC		SIZE						
MATERIAL SEE NOTES		FINISH SEE NOTES		WEIGHT -		CAGE CODE A2 00779		DRAWING NO C=1438232		RESTRICTED TO -
CUSTOMER DRAWING						SCALE 5:1		SHEET 1 of 1		REV D