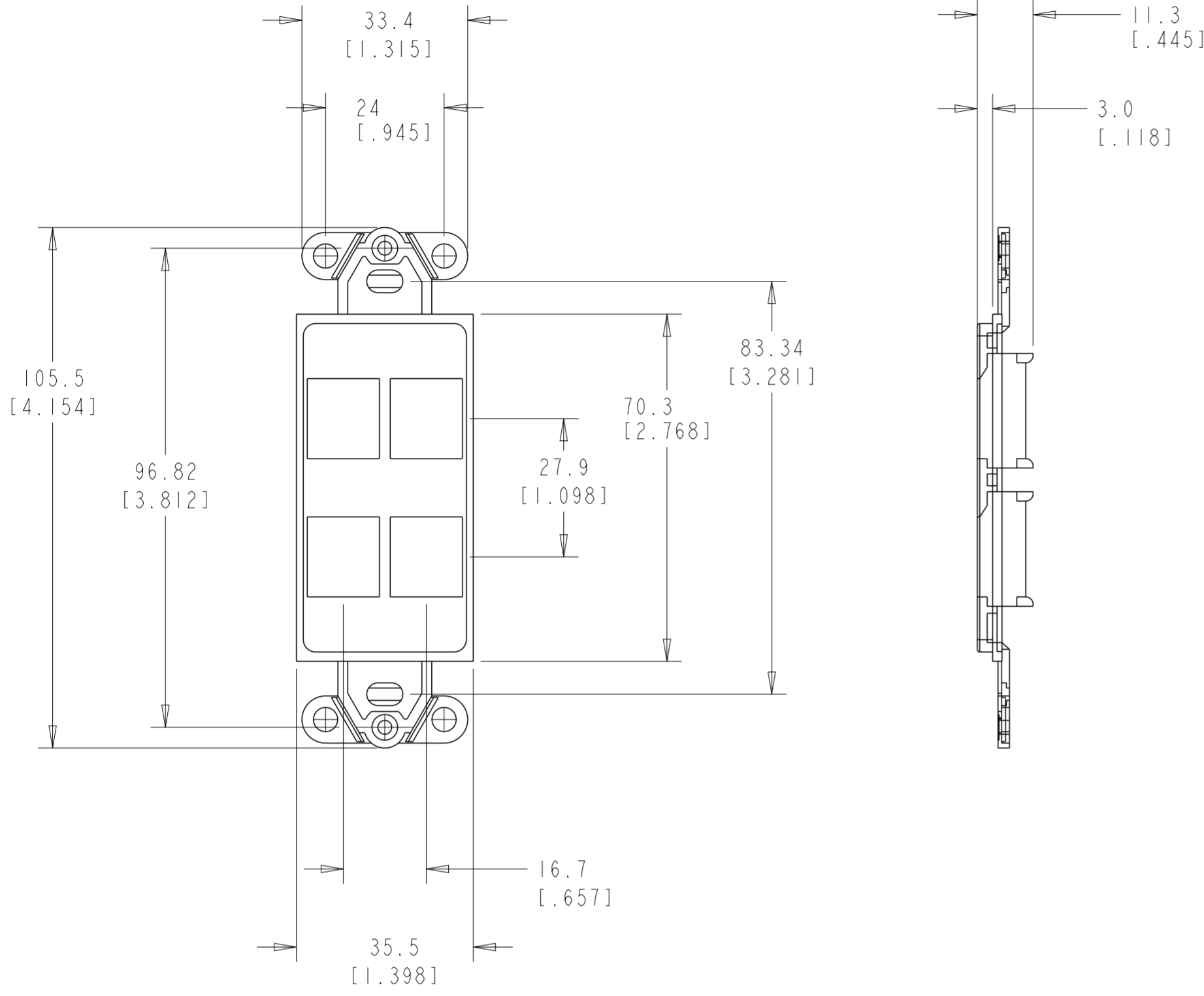
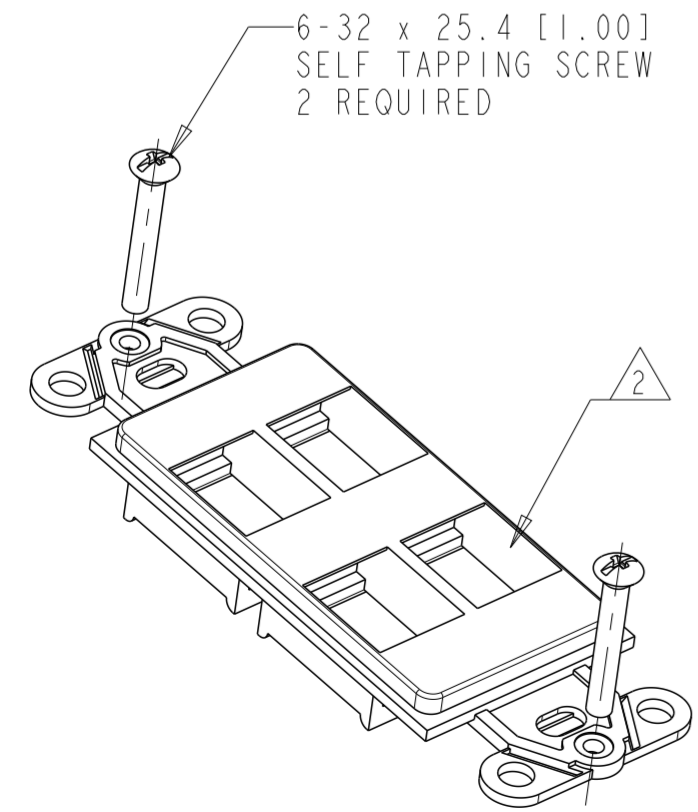


THIS DRAWING IS UNPUBLISHED. RELEASED FOR PUBLICATION 20
 © COPYRIGHT 20 BY - ALL RIGHTS RESERVED.

REVISIONS				
P	LTR	DESCRIPTION	DATE	APVD
A		NSD06-126	14NOV2006	JM GB
B		ECO-14-013854	15SEP2014	JB RA



- KIT SHIPPED WITH SCREWS NOT ASSEMBLED.
- OPENINGS WILL ACCEPT KL SERIES 110 CONNECT JACKS AND KL SERIES INSERTS.
- DIMENSIONS ARE NOMINAL UNLESS OTHERWISE SPECIFIED.
- MATERIAL:
 STRAP- ABS UL 94V-0 MOLDING COMPOUND, SEE TABLE FOR COLOR.
 SCREWS - ZINC PLATED CARBON STEEL.
 THREADED INSERT - STAINLESS STEEL.



ALPINE WHITE	1-1933176-3
LIGHT ALMOND	1933176-1
COLOR	PART NO.

THIS DRAWING IS A CONTROLLED DOCUMENT.		DWN J MCNEAL 14NOV2006	STE TE Connectivity	
DIMENSIONS: MM [INCHES]		CHK G BOWMAN 14NOV2006		
TOLERANCES UNLESS OTHERWISE SPECIFIED:		APVD G BOWMAN 14NOV2006	NAME KIT, MOUNTING STRAP, DECORATOR 4 PORT, KL SERIES	
0 PLC ±		PRODUCT SPEC -	SIZE A2	
1 PLC ±		APPLICATION SPEC -	CAGE CODE -	DRAWING NO C-1933176
2 PLC ±		WEIGHT -	RESTRICTED TO -	
3 PLC ±			SCALE 1:1	SHEET OF
4 PLC ±				REV B
ANGLES ±				
FINISH -				