

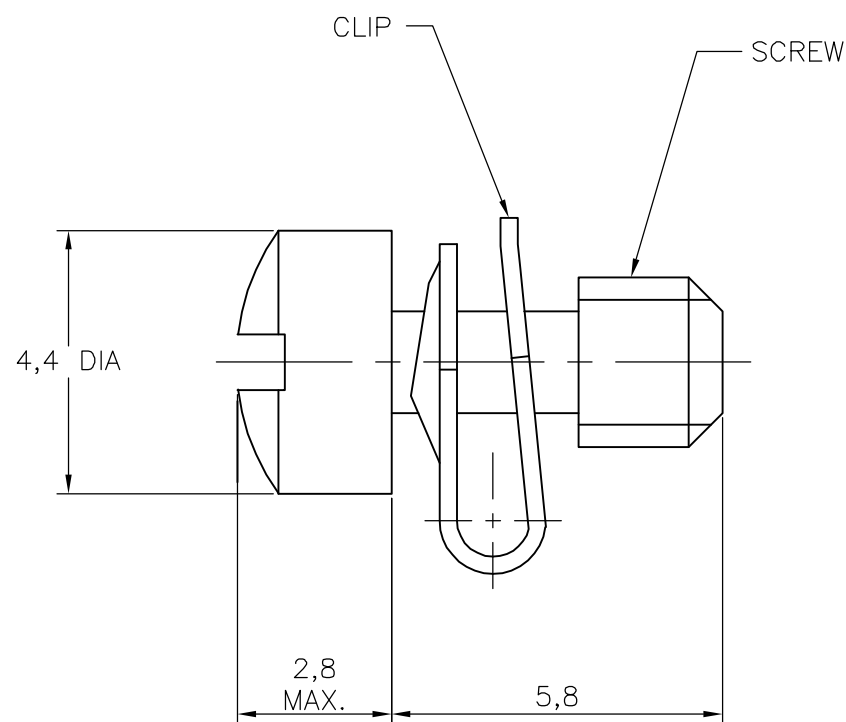
THIS DRAWING IS UNPUBLISHED. RELEASED FOR PUBLICATION

© COPYRIGHT BY TYCO ELECTRONICS CORPORATION. ALL RIGHTS RESERVED.

LOC	DIST	REVISIONS					
		P	LTR	DESCRIPTION	DATE	DWN	APVD
H	—		A	NEW	15-07-05	JvdH	DC
			B	ECR-05-013427	19-10-05	JvdH	JB
			C	ECR-06-019973	27-11-06	BSV	MK

NOTES:

- ① PARTS PACKAGED UNASSEMBLED.
1 KIT CONTAINS 2 SCREWS , 2 CLIPS.
- ② SCREW: STEEL
CLIP : STAINLESS STEEL
- ③ SCREW: BRIGHT TINPLATED.
CLIP : NO PLATING.
- ④ INDIVIDUAL KIT : 2 SCREWS +2 CLIPS IN ONE PLASTIC BAG
- ⑤ 100 KITS BULKPACKAGE : 200 SCREWS IN ONE PLASTIC BAG AND
200 CLIPS IN ANOTHER PLASTIC BAG.
1857211-3 AND -4 TO BE ORDERED IN MULTIPLES OF 100
PIECES OF THE PARTNUMBER.



⑤	③	②	M3	1857211-4
			4-40 UNC.	1857211-3
④	③	②	M3	1857211-2
			4-40 UNC.	1857211-1
PACKING	FINISH	MATERIAL		PART NUMBER ①

THIS DRAWING IS A CONTROLLED DOCUMENT.		DWN J.V.D.HEIJDEN. 15JUL05	Tyco Electronics Corporation s-HertogenBosch, Nederland,		
DIMENSIONS: MM		CHK D.CAMPSCHROER 15JUL05	NAME KIT, SCREW RETAINER, 4-40 UNC. M3, AMPLIMITE.		
		APVD J.BROEKSTEEG 15JUL05	PRODUCT SPEC —		
TOLERANCES UNLESS OTHERWISE SPECIFIED:		APPLICATION SPEC —			
0 PLC ± - 1 PLC ± - 2 PLC ± - 3 PLC ± - 4 PLC ± - ANGLES ± -		SIZE A3	CAGE CODE 00779	DRAWING NO C-1857211	RESTRICTED TO —
MATERIAL —		WEIGHT —		SCALE NTS	
CUSTOMER DRAWING			SHEET 1 OF 1		REV C

Mouser Electronics

Authorized Distributor

Click to View Pricing, Inventory, Delivery & Lifecycle Information:

[TE Connectivity:](#)

[1857211-4](#)