

THIS DRAWING IS UNPUBLISHED.

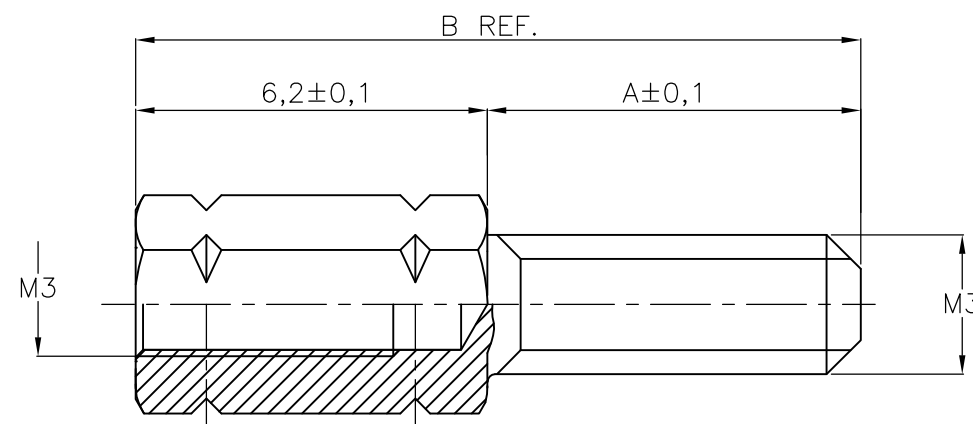
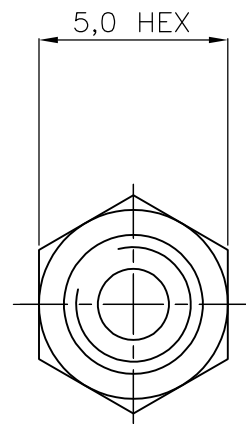
RELEASED FOR PUBLICATION

ALL RIGHTS RESERVED.

© COPYRIGHT - By -

REVISIONS

P	LTR	DESCRIPTION	DATE	DWN	APVD
	E	REVISED PER ECO-16-011204	29 AUG 2016	AP	DG



OBSOLETE	-	8,0	14,2	UNPLATED	ARCAP	4-829068-3
	-	8,0	14,2	TINPLATED	BRASS	4-829068-1
OBSOLETE	-	3,0	9,2	UNPLATED	ARCAP	3-829068-3
	-	3,0	9,2	TINPLATED	BRASS	3-829068-1
OBSOLETE	-	11,0	17,2	UNPLATED	ARCAP	2-829068-3
	-	11,0	17,2	TINPLATED	BRASS	2-829068-1
OBSOLETE	-	9,7	15,9	UNPLATED	ARCAP	1-829068-3
OBSOLETE	-	9,7	15,9	TINPLATED	BRASS	1-829068-1
OBSOLETE	-	5,0	11,2	UNPLATED	ARCAP	829068-3
	-	5,0	11,2	TINPLATED	BRASS	829068-1
		DIM "A"	DIM "B"	FINISH	MATERIAL	ORDER NUMBER

THIS DRAWING IS A CONTROLLED DOCUMENT.

DWN 02APR91
D.KESSLER

CHK 23APR91
C.V.TILBURG

APVD 25APR91
L.V.SOEST

PRODUCT SPEC

APPLICATION SPEC

WEIGHT 0.000000

CUSTOMER DRAWING

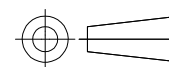


SCREWLOCK, FEMALE HD-SERIES

SIZE A3 CAGE CODE 00779 DRAWING NO C-829068 RESTRICTED TO -

SCALE NTS SHEET 1 OF 1 REV E

DIMENSIONS:
mm



TOLERANCES UNLESS OTHERWISE SPECIFIED:	
0 PLC	± -
1 PLC	± 0,2
2 PLC	± -
3 PLC	± -
4 PLC	± -
ANGLES	± -
FINISH	-

MATERIAL -

Mouser Electronics

Authorized Distributor

Click to View Pricing, Inventory, Delivery & Lifecycle Information:

[TE Connectivity:](#)

[1-829068-1](#)