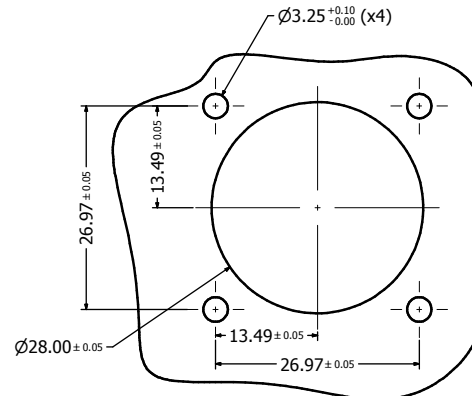
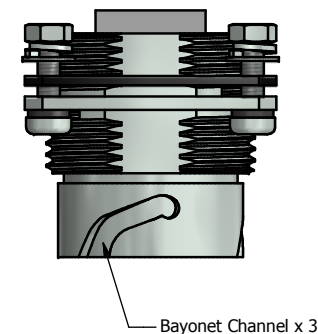


Recommended Double-D Panel Cutout



Recommended Round Panel Cutout

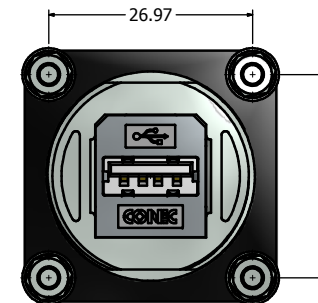
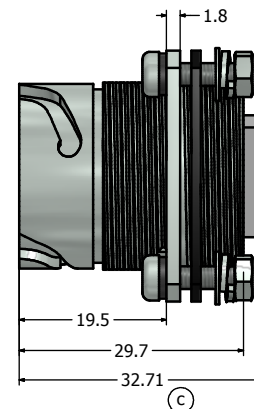
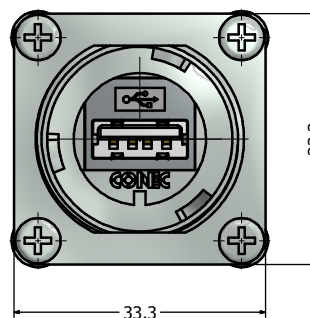


Notes:

- Electrical Specifications:
 - Meets USB 2.0 Specification
 - Contact Resistance: 30 mOhm max.
 - Insulation Resistance: 1000 MOhm min. @ 100 VDC
 - Current Rating: 1.5 A max. at 25° C
 - Working Voltage: 30 V (RMS) max.
 - DWV: 500 VAC/60s at sea level
 - Operating Temperature: -40° C to +85° C

- Material and Finish:
 - Receptacle Housing (with Flange): Zinc Die-Cast, Finish: Nickel Plated
 - Panel Gasket: NBR, Color: Black
 - M3 Mounting Hardware: Stainless Steel
 - Includes 4 x (Screw + Nut + Flat Washer + Spring Lock Washer)
 - USB Adaptor Insulator: PBT, UL94 V-0, Black
 - USB Adaptor Metal Shell: Copper Alloy, Nickel Plated
 - USB Adaptor Overmold material: PBT UL94 V-0, Color: Black
 - USB Contacts: Copper Alloy, Finish: 30 u" Gold min. over Nickel

- Connector can be front or rear mounted to a maximum panel thickness of 3.2 mm.
- IP67 rated when fully mated with appropriate mating connector
- Hardware shipped unassembled
- Recommended mounting torque is 8 to 10 lb-inch



Pin-Assignment

| Type A Female | Type A Female |
|-------------------|-------------------|
| Pin1 ----- Pin1 | Pin1 ----- Pin1 |
| Pin2 ----- Pin2 | Pin2 ----- Pin2 |
| Pin3 ----- Pin3 | Pin3 ----- Pin3 |
| Pin4 ----- Pin4 | Pin4 ----- Pin4 |
| Shell ----- Shell | Shell ----- Shell |

Directive 2002/95/EC RoHS Compliant

| | | | | | | | | |
|--|--------------------------|--|--|--------------------------------------|--|--|---|---------------------|
| THIS DRAWING MAY NOT BE COPIED OR REPRODUCED IN ANY MANNER AND MAY NOT BE PASSED ON TO A THIRD PARTY WITHOUT WRITTEN PERMISSION. OWNERSHIP AND COPYRIGHT OF CONEC CORPORATION. | Customer: | | | Tolerance Unless otherwise specified | | | Scale: | Dim. in mm |
| | Name Title Approval Date | | | 0 PLC ± 0.30 | 1 PLC ± 0.20 | | Autodesk Inventor | Material: See Notes |
| | | | | 2 PLC ± 0.10 | 3 PLC ± 0.05 | 2012 Date Name Draw. Sept. 27 Vincent Ke Appd. Sept. 27 J. Chaudry | IP67 USB Type A F/F Adaptor Receptacle (with Flange) Assembly Kit | |
| | | | | ANGLES ± 1° | | Norm | Nickel Plated Zinc Die-Cast Version | |
| c 1 x c May/22/2013 Vincent ke D-old b 1 x b Mar/05/2013 Vincent Ke a original | | | | | Drawing No.: 17K1A354 Part No.: 17-210111 | | DIN A3 | |
| Rev. Changes Date Name | | | | | | | Sheet 1/1 | |

Mouser Electronics

Authorized Distributor

Click to View Pricing, Inventory, Delivery & Lifecycle Information:

[CONEC:](#)

[17-210111](#)