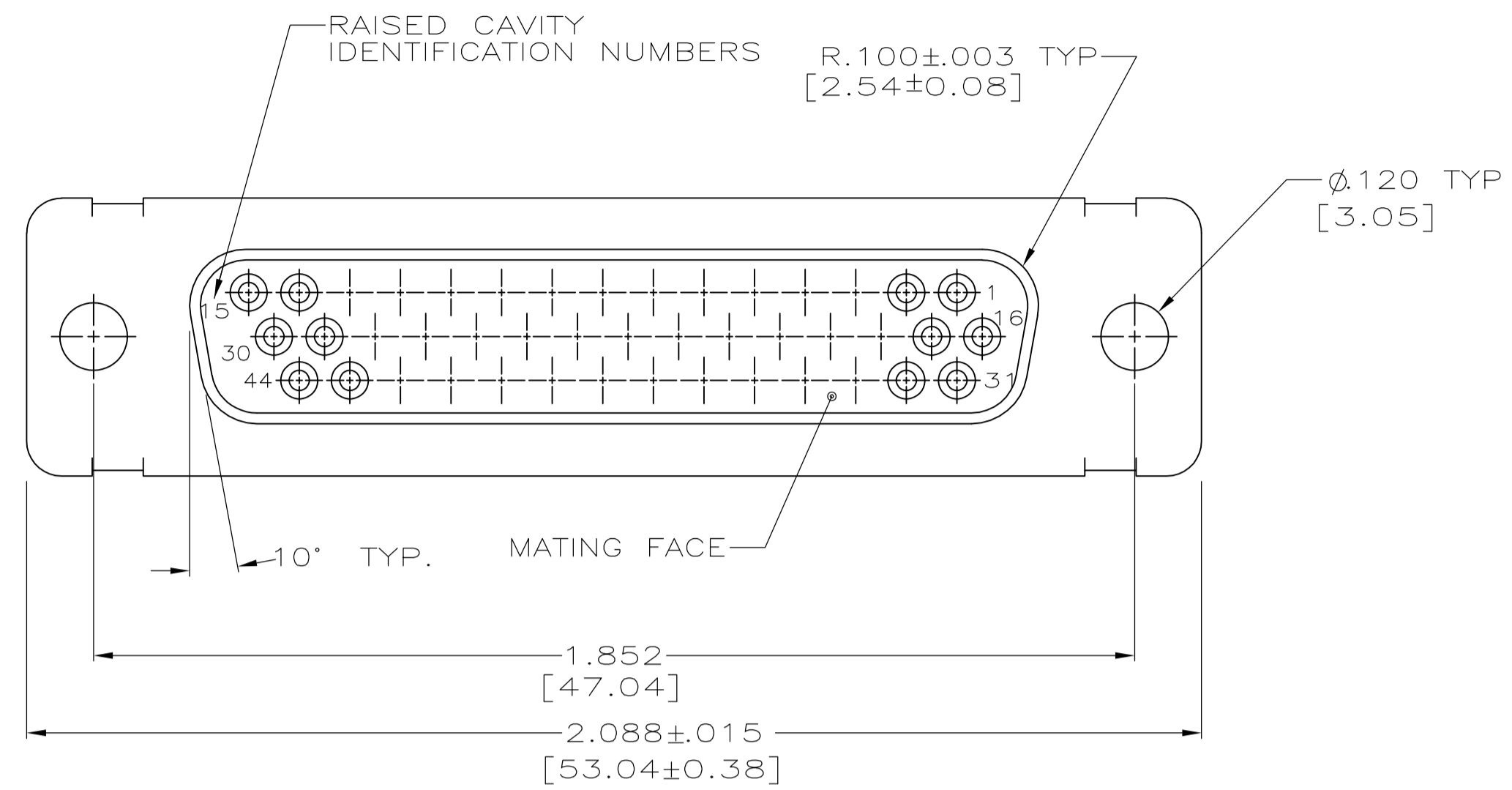
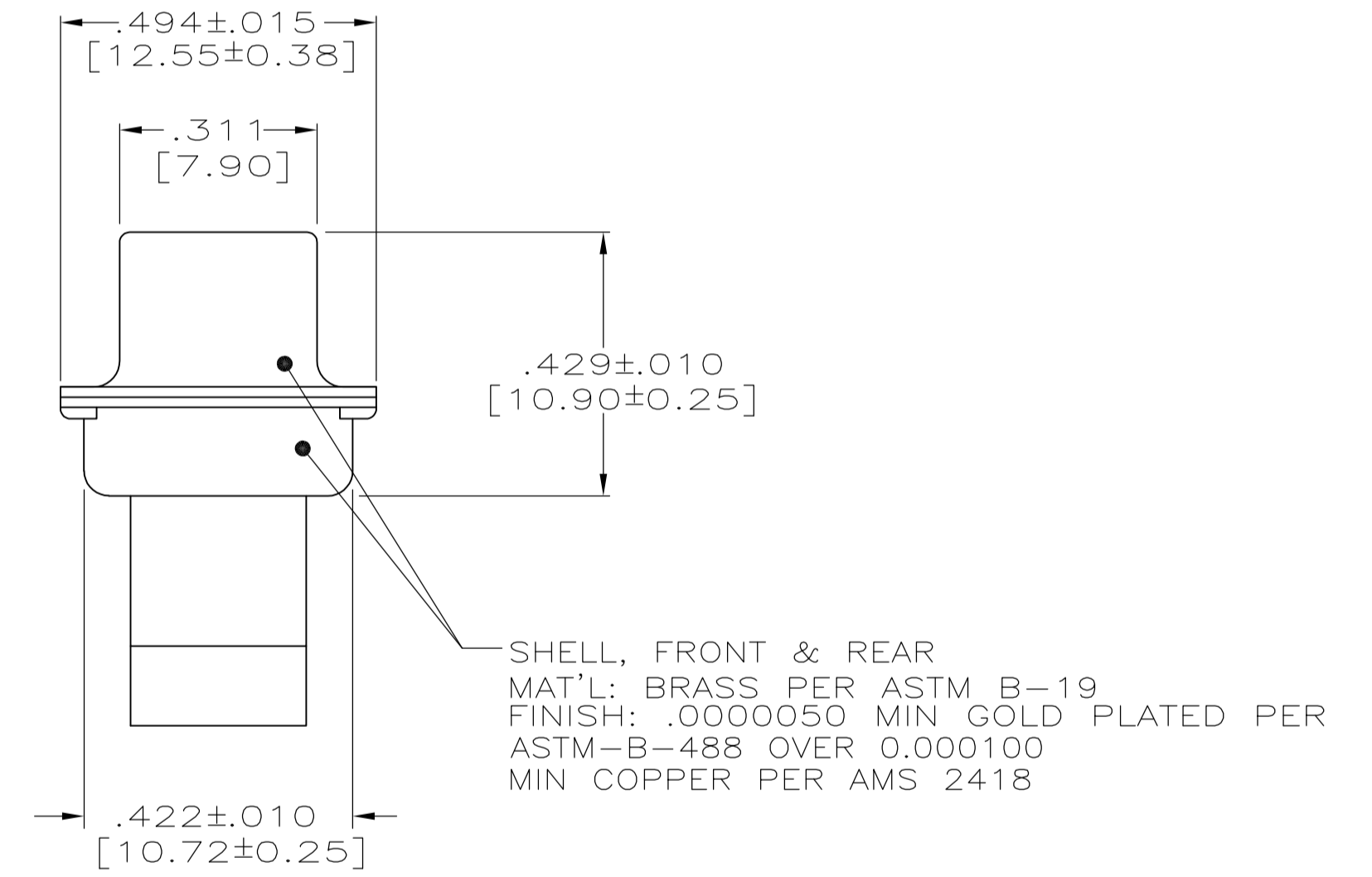
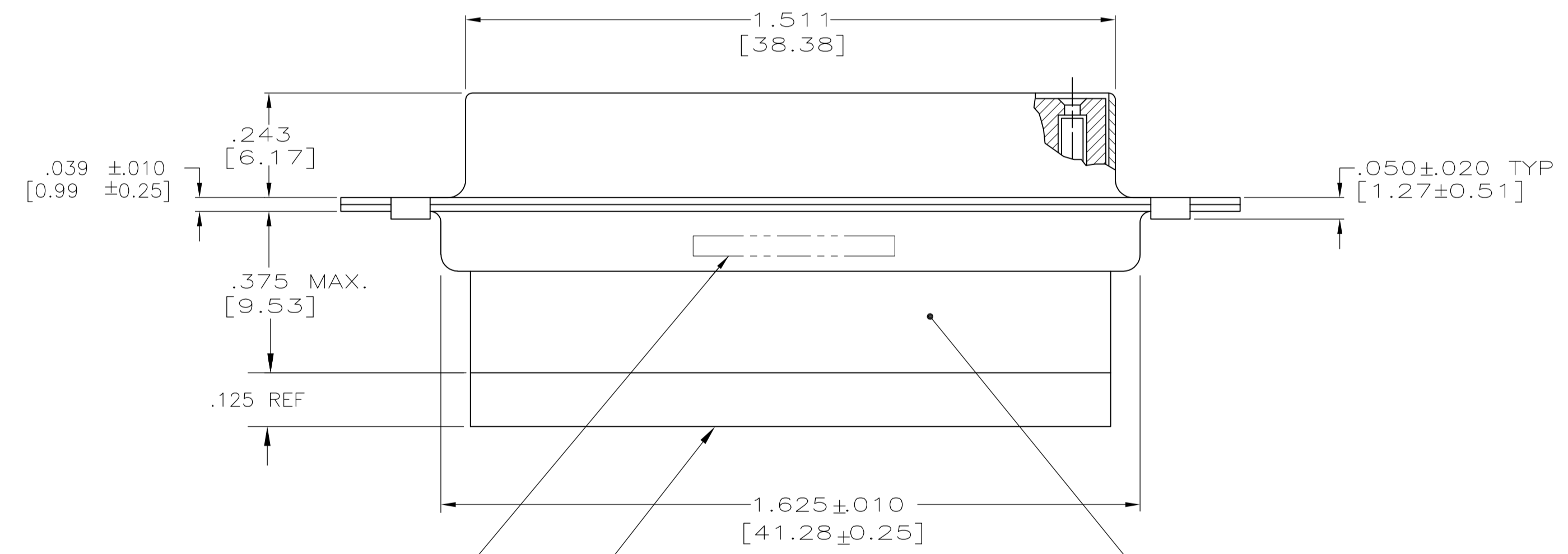


| LOC | | DIST | | REVISIONS | | | |
|-----|-----|-----------------------|---------|-----------|------|--|--|
| P | LTR | DESCRIPTION | DATE | DN | APVD | | |
| L | | REV PER ECO 13-013418 | 9-19-13 | CT | CD | | |



- THIS RECEPTACLE WILL MATE WITH ANY 44 POSN, SIZE 3 PLUG IN AMPLIMITE SERIES.
- BE-CU RETENTION CLIPS (44) ARE INCLUDED IN INSERT AND INSTALLED WITH TINES.
- POINTING TOWARDS MATING FACE
- CONNECTOR SUPPLIED WITHOUT CONTACTS, SHOWN FOR ILLUSTRATION ONLY
- OVERALL DIMENSIONS DO NOT INCLUDE RAISED CAVITY ID
- MARKING: FAR SIDE REFERS TO WIDE SIDE OF KEYSTONE. NEAR SIDE REFERS TO NARROW SIDE OF KEYSTONE
- 100% INSPECTION REQUIRED PER BOEING 1B01:
 - VISUAL
 - DWV
 - IR
- CUSTOMER REQUIRES SINGLE LOT DATE CODE.
- SPECIAL REQUIREMENTS:
 - TEST TWO CONNECTORS PER LOT FOR COMPLIANCE TO GROMMET PEEL STRENGTH REQUIREMENTS.
 - TEST ALL CIRCUIT CAVITIES FOR MISALIGNMENT OR EXCESSIVE ADHESIVE.



△ CUSTOMER P/N (IF APPLICABLE) MARKED ON FAR SIDE. MANUFACTURER'S NAME, BRAND NAME OR LOGO AND MANUFACTURER'S PART NO AND DATE CODE MARKED ON NEAR SIDE

INSERT ASSEMBLY
POLYPHENYLENE SULFIDE (PPS) GST-40-F PER MIL-M-24519 OR GLASS FILLED POLYESTER TPES013G30 PER ASTM-D-5927

GROMMET MATERIAL: SILICONE RUBBER

| | |
|------------------|------------|
| 1B01-027RHW | 1-211669-1 |
| -- | 211669-4 |
| 2A065-021V-001 | 211669-2 |
| 1B01-027 | 211669-1 |
| CUSTOMER MARKING | PART NO |

THIS DRAWING IS A CONTROLLED DOCUMENT.

| | | | | | | | |
|--------------------|--|-----------|-----------|-----------|---------------------|-----------|------------|
| DIMENSIONS: INCHES | TOLERANCES UNLESS OTHERWISE SPECIFIED: | 0 PLC ± - | 1 PLC ± - | 2 PLC ± - | 3 PLC ± .005 [0.13] | 4 PLC ± - | ANGLES ± - |
|--------------------|--|-----------|-----------|-----------|---------------------|-----------|------------|

MATERIAL: SEE CALLOUTS

FINISH: SEE CALLOUTS

WEIGHT: --

CUSTOMER DRAWING

APPROVED: P. YEAGER 26JUN06, D. MILLER 30JUN06, D. MILLER 30JUN06

NAME: RECEPTACLE ASSEMBLY, AMPLIMITE 44 POSITION, SIZE 3, SERIES 90, NON-MAGNETIC, SPECIAL WITH GROMMET

SIZE: A1

CAGE CODE: 00779

DRAWING NO: 211669

RESTRICTED TO: --

SCALE: 4:1

SHEET: 1 OF 1

REV: L

STE TE Connectivity

Mouser Electronics

Authorized Distributor

Click to View Pricing, Inventory, Delivery & Lifecycle Information:

[TE Connectivity:](#)

[1-211669-1](#)