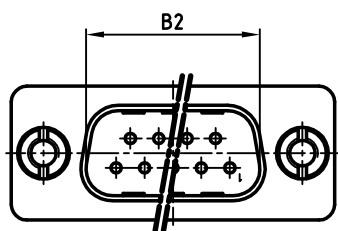
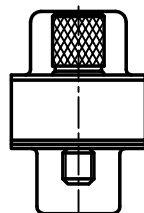
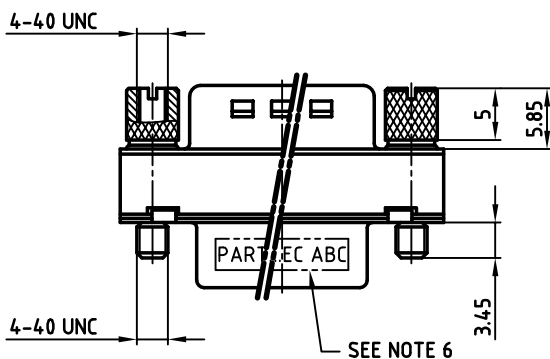
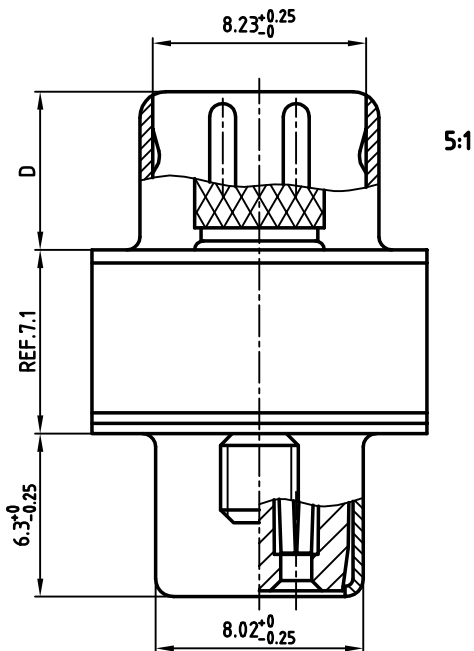
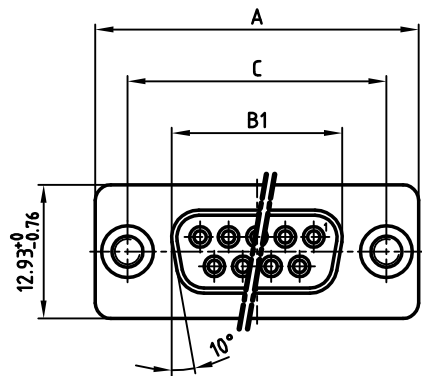


used for: D-SUB



POS.	A -0.76	B1 -0.25	B2 +0.25	C	D -0.3	PART NO.
15	39.52	24.79	25.12	33.30 $^{+0.15}_{-0.1}$	6.12	163C50019X
25	53.42	38.50	38.84	47.04 ± 0.13	5.99	163C50029X
37	69.70	54.96	55.30	63.50 ± 0.13	5.99	163C50039X

NOTES:

- METALSHELLS: STEEL; min. 315µm TIN OVER 40-80µm NICKEL
- INSULATORS: PBTP GF UL 94 V-0, BLACK
- CONTACTS: COPPER ALLOY
PLATING: 30µm HARD GOLD over min. 50µm NICKEL
- ADAPTER SCREW: COPPER ALLOY; NICKEL PLATED
- MAXIMUM TORQUE VALUE FOR THREAD: 6in.LB
- CONNECTOR IS PART MARKED: PART NO. CONEC ABC

Directive 2002/95/EC
"RoHS"
Compliant

APPROVAL * FREIGABE * DEBLOCAGE * AUTORIZACION * APPROVAL	
CUSTOMER APPROVAL DATE:	
NAME:	TITLE:
COMPANY NAME:	
APPROVAL * FREIGABE * DEBLOCAGE * AUTORIZACION * APPROVAL	

THIS DRAWING MAY NOT BE COPIED OR REPRODUCED IN ANY WAY, AND MAY NOT BE PASSED ON TO A THIRD PARTY, WITHOUT WRITTEN PERMISSION.
OWNERSHIP AND COPYRIGHT OF CONEC GmbH
DO NOT ALTER CAD DRAWING BY HAND

tolerance	dim. in mm	scale:	2:1 (5:1)
		material:	SEE NOTES
		title:	D-SUB ADAPTER 15-37pos. Plug / Socket
		dwg no:	AutoCAD 2006 16K2A897
		part no:	SEE TABLE
rev.	description	date	name



2009	date	name	
drawn	27.02.	Petker	
appd.	27.02.	Fischer	
norm	DIN 41652		
d-old			
CONEC		dwg no:	AutoCAD 2006 16K2A897
		part no:	SEE TABLE
			DIN-A 3 sh: 1/1

Mouser Electronics

Authorized Distributor

Click to View Pricing, Inventory, Delivery & Lifecycle Information:

[CONEC:](#)

[163C50019X](#)