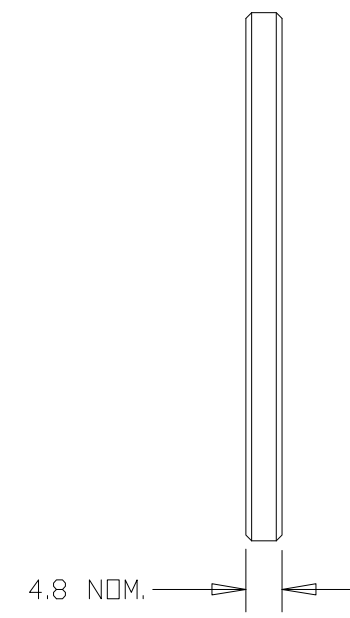
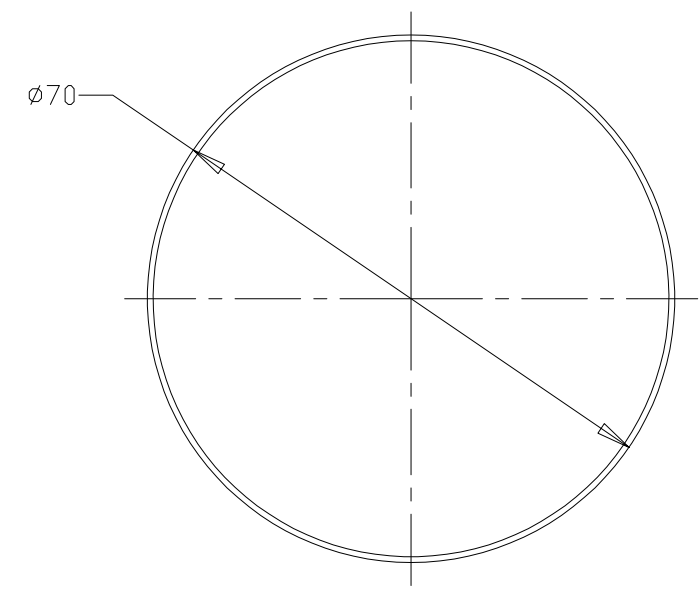

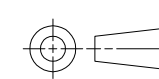


THIS DRAWING IS UNPUBLISHED. RELEASED FOR PUBLICATION 20
 © COPYRIGHT 20 BY - ALL RIGHTS RESERVED.

REVISIONS					
P	LTR	DESCRIPTION	DATE	DWN	APVD
	ND	REVISED PER ECD-15-015913	04NOV2015	AG	HS
	NF	REVISED PER ECD-16-012196	11AUG2016	PV	MP



BOM (FOR INTERNAL REF. ONLY)	PART NO.	DESCRIPTION
062996-000	118902-000	IR-550-237-FLTR-DUAL-COAT

THIS DRAWING IS A CONTROLLED DOCUMENT.		DWN P. VU 11AUG2016	 TE Connectivity IR-550-237 DARK DOUBLE COATED FILTER		
DIMENSIONS: mm		CHK N. PRZYBYLSKA 11AUG2016			
		APVD M. POPE 11AUG2016			
TOLERANCES UNLESS OTHERWISE SPECIFIED:		PRODUCT SPEC			
MATERIAL		FINISH	APPLICATION SPEC	NAME	RESTRICTED TO
-		-	-	IR-550-237	-
		WEIGHT	SIZE	CAGE CODE	DRAWING NO
		-	A3	-	©IR-550-237
Customer Drawing			SCALE	SHEET	REV
			NTS	1 OF 1	NF

Mouser Electronics

Authorized Distributor

Click to View Pricing, Inventory, Delivery & Lifecycle Information:

[TE Connectivity:](#)

[118902-000](#)