

D-SUB connector set - VS-25-SET-STD - 1652198

Please be informed that the data shown in this PDF Document is generated from our Online Catalog. Please find the complete data in the user's documentation. Our General Terms of Use for Downloads are valid (<http://phoenixcontact.com/download>)




D-SUB connector set, shell size 3, unshielded

The illustration shows the product version VS-09-SET-STD



Key commercial data

Packing unit	1 pc
GTIN	 4 017918 917135
Weight per Piece (excluding packing)	69.6 g
Custom tariff number	85366990
Country of origin	Germany
Note	Made to Order (non-returnable)

Technical data

Ambient conditions

Degree of protection	IP67
Ambient temperature (operation)	-40 °C ... 80 °C

General

Type	D-SUB 25
Degree of protection	IP67
Inflammability class according to UL 94	V0
Cable exit	Angled
Housing material	PA
Seal material	Flat gasket: NBR; profile gasket: EPDM
Ambient temperature (operation)	-40 °C ... 80 °C

D-SUB connector set - VS-25-SET-STD - 1652198

Classifications

eCl@ss

eCl@ss 4.0	27140816
eCl@ss 4.1	27260701
eCl@ss 5.0	27260701
eCl@ss 5.1	27260701
eCl@ss 6.0	27260705
eCl@ss 7.0	27440309
eCl@ss 8.0	27440302

ETIM

ETIM 2.0	EC001121
ETIM 3.0	EC001132
ETIM 4.0	EC001132
ETIM 5.0	EC001132

UNSPSC

UNSPSC 6.01	31261501
UNSPSC 7.0901	31261501
UNSPSC 11	31261501
UNSPSC 12.01	31261501
UNSPSC 13.2	31261501

Approvals

Approvals

Approvals

EAC

Ex Approvals

Approvals submitted

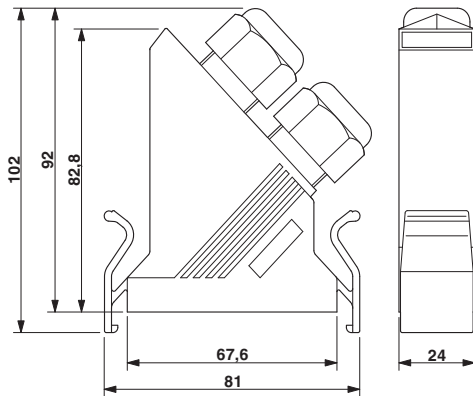
Approval details

EAC

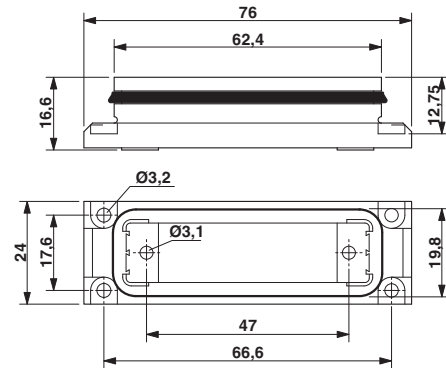
Drawings

D-SUB connector set - VS-25-SET-STD - 1652198

Dimensioned drawing

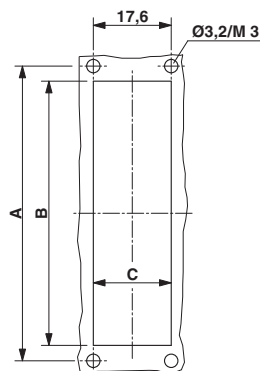


Dimensioned drawing



D-SUB panel mounting frame

Dimensioned drawing



Panel cutout