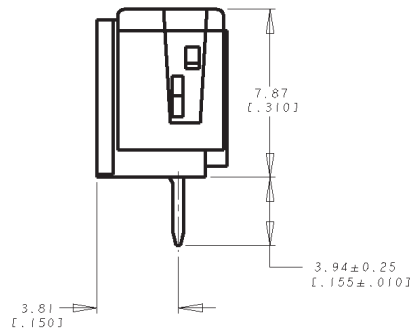
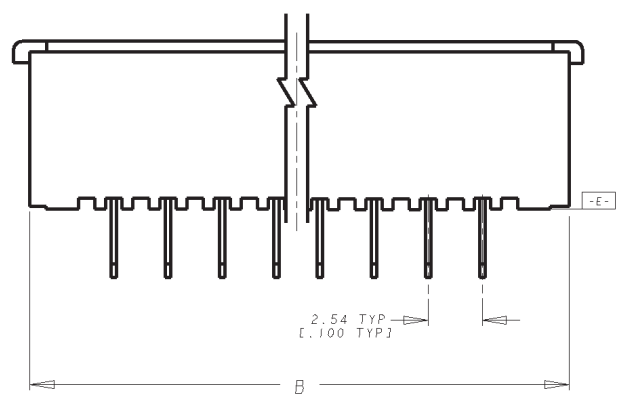
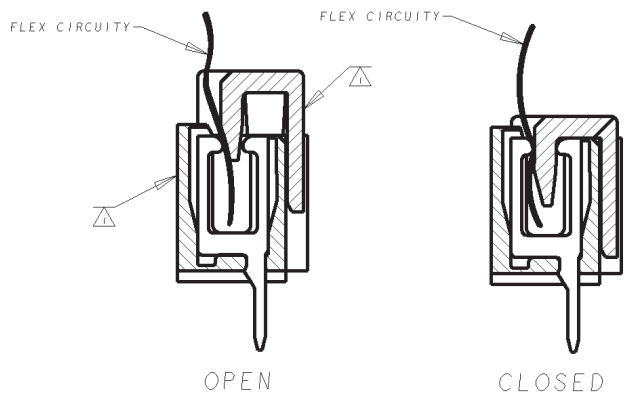
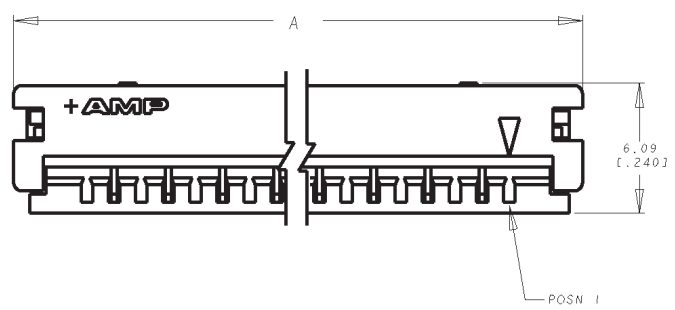


THIS DRAWING IS UNPUBLISHED. RELEASED FOR PUBLICATION .19
 (C) COPYRIGHT 19 BY - ALL RIGHTS RESERVED.

LOC		DIST		REVISIONS			DATE	DWN	APVD
DY		-		P	LTR	DESCRIPTION			
				F4		REVISE PER ECR-16-001555	23MAR16	HX	WH



	51.05 [2.010]	52.58 [2.070]	18	1-487925-3
	12.95 [1.510]	14.48 [1.570]	3	1-487925-2
⚠ OBSOLETE	43.43 [1.710]	44.96 [1.770]	15	1-487925-1
⚠ OBSOLETE	38.35 [1.510]	39.88 [1.570]	13	1-487925-0
	35.81 [1.410]	37.34 [1.470]	12	487925-9
	33.27 [1.310]	34.80 [1.370]	11	487925-8
⚠ OBSOLETE	28.19 [1.110]	29.72 [1.170]	9	487925-7
	30.73 [1.210]	32.26 [1.270]	10	487925-6
	61.21 [2.410]	62.74 [2.470]	22	487925-5
⚠ OBSOLETE	56.13 [2.210]	57.66 [2.270]	20	487925-4
	45.97 [1.810]	47.50 [1.870]	16	487925-3
	40.89 [1.610]	42.42 [1.670]	14	487925-2
	25.65 [1.010]	27.18 [1.070]	8	487925-1
	'B'	'A'	NO OF POSN	PART NUMBER

- ⚠** FLAME RETARDANT THERMOPLASTIC; COLOR-BLACK
- ⚠** FINISH: 0.00381 [0.00150] MIN THK TIN OVER
0.00127 [0.00050] MIN THK NICKEL ON ENTIRE CONTACT.
- 3. CONNECTOR SUPPLIED IN CLOSED CONDITION.
- ⚠** OBSOLETE PARTS: OBSOLETE CIS STREAMLINING PER D.RENAUD/D.SINISI

THIS DRAWING IS A CONTROLLED DOCUMENT FOR AMP INCORPORATED. IT IS SUBJECT TO CHANGE AND THE CONTROLLING ENGINEERING ORGANIZATION SHOULD BE CONTACTED FOR THE LATEST REVISION.		DWN D. KEITZER 300CT89	TE Connectivity NAME CONNECTOR ASSEMBLY, .100C, ZIF-LINE 50				
DIMENSIONS: INCHES		CHR C OBERMAN 2NOV89					
TOLERANCES UNLESS OTHERWISE SPECIFIED: 0 PLC ± 1 PLC ± 2 PLC ± 3 PLC ±.005 4 PLC ± ANGLES ±		APVD SF LEONG	PRODUCT SPEC 108-16025				
MATERIAL HOUSING & STUFFER: ⚠ CONTACTS: PHOS BRONZE		FINISH CONTACTS: ⚠	APPLICATION SPEC 114-16014	WEIGHT -	SIZE A3	CAGE CODE 00779	DRAWING NO C=487925
CUSTOMER DRAWING			SCALE 8:	SHEET OF	REV F4		

AMEYA360

Components Supply Platform

Authorized Distribution Brand :



Website :

Welcome to visit www.ameya360.com

Contact Us :

➤ Address :

401 Building No.5, JiuGe Business Center, Lane 2301, Yishan Rd
Minhang District, Shanghai , China

➤ Sales :

Direct +86 (21) 6401-6692

Email amall@ameya360.com

QQ 800077892

Skype [ameyasales1](#) [ameyasales2](#)

➤ Customer Service :

Email service@ameya360.com

➤ Partnership :

Tel +86 (21) 64016692-8333

Email mkt@ameya360.com