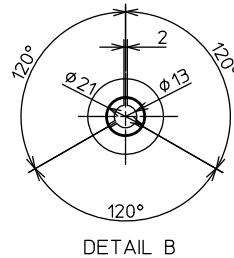
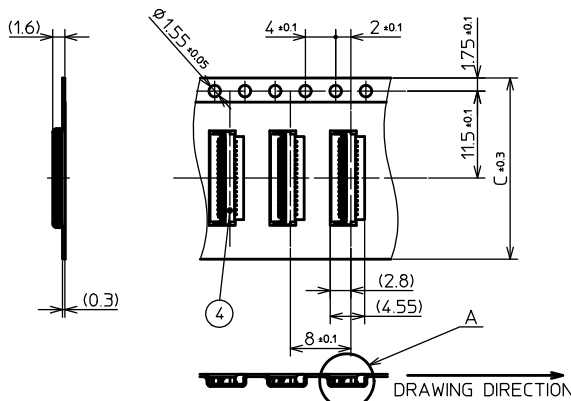
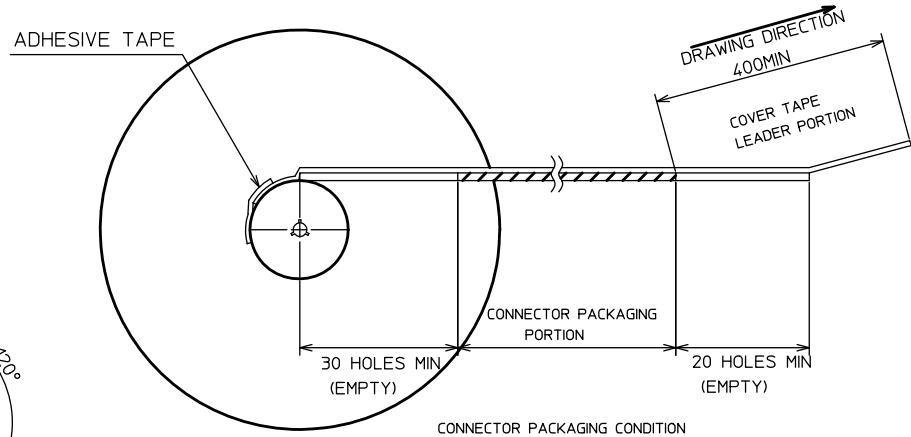
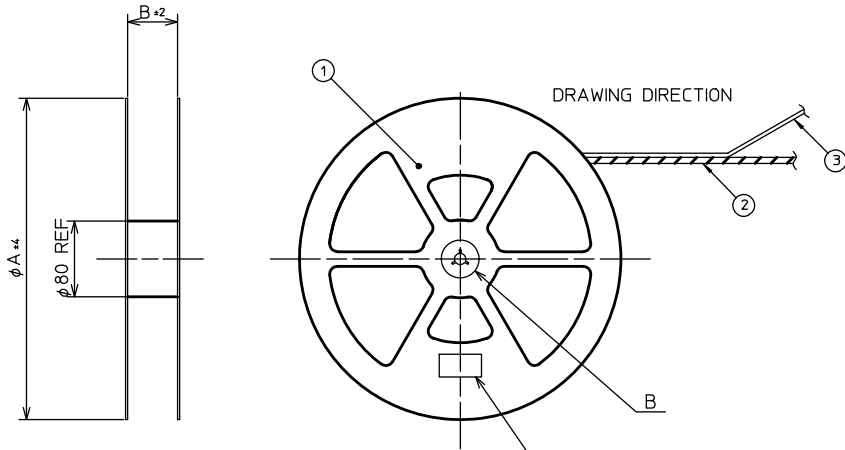


PRODUCT NO

10061122-**-**1**0*LF

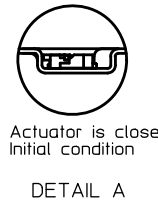
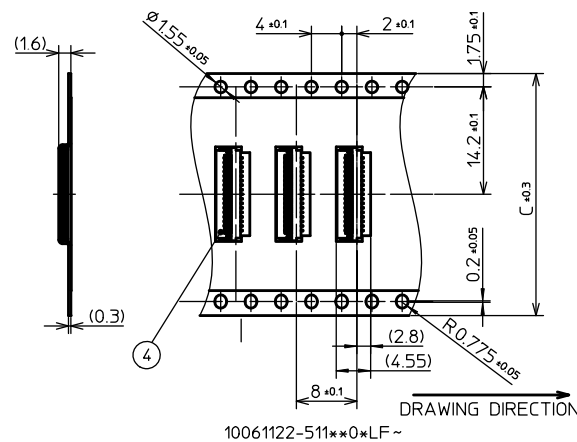
| EMBOSS TAPE | DIMENSIONS | | |
|------------------------------|------------|------|----|
| | φ A | B | C |
| 10061122-131**0*LF~451**0*LF | φ330 | 25.5 | 24 |
| 10061122-511**0*LF~ | | 33.5 | 32 |

| PT.NO. | PARTS NAME | PRODUCT NO. | MATERIAL | Q'TY | NOTE |
|--------|-------------|-----------------------|---------------------------|------|---|
| 1 | REEL | | POLYSTYRENE | 1 | COLOR:WHITE,ELECTRIFICATION PREVENTION PROCESSING |
| 2 | EMBOSS TAPE | | PP OR PET | 1 | ELECTRIFICATION PREVENTION PROCESSING |
| 3 | COVER TAPE | | POLYESTER | | |
| 4 | CONNECTOR | 10061122-**-**1**0*LF | 10061122 SHEET 2,3 | 5000 | |
| | | 10061122-**-**1**HLF | 10061122 SHEET 4,5 6.7 | | |



NOTE
 1.THIS ARTICLE CARRIES OUT THE EMBOSS TAPE PACKAGE OF THE P/N10061122 SERIES CONNECTOR
 2.THE SHAPE AND DIMENSION OF THIS ARTICLE ARE BASED ON JIS C 0806 (TAPING OF ELECTRONIC PARTS(SURFACE MOUNTED DEVICE))

- P/N COMPOSITION
- 10061122-**-**1**0*LF
- 1: NONE-HALOGEN FREE RESIN
 - 2: HALOGEN FREE RESIN
 - LEAD FREE
 - PACKAGING FORM (E-PLASTIC REEL/EMBOSS TAPE PACKAGE)
 - EMBOSSING TAPE PACKAGE 0: 8mm PITCH
 - PLATING SPEC 1: AU PLATING
 - MOUNTING
 - 1: SMT/WITH CABLE LOCK
 - 2: SMT/WITHOUT CABLE LOCK
 - 3: SMT/WITH CABLE LOCK/WITH ACTUATOR LOCK
 - 4: SMT/WITHOUT CABLE LOCK/WITH ACTUATOR LOCK
 - CONTACT SIDE 1: DOWN SIDE
 - NO OF POSITION
 - SERIES NAME

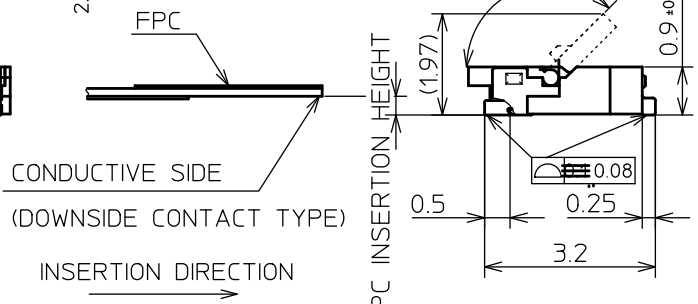
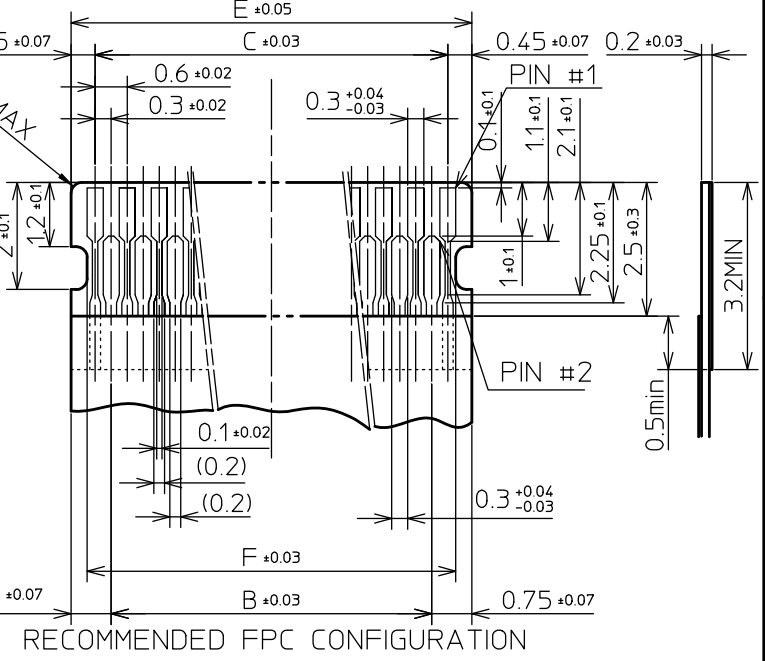
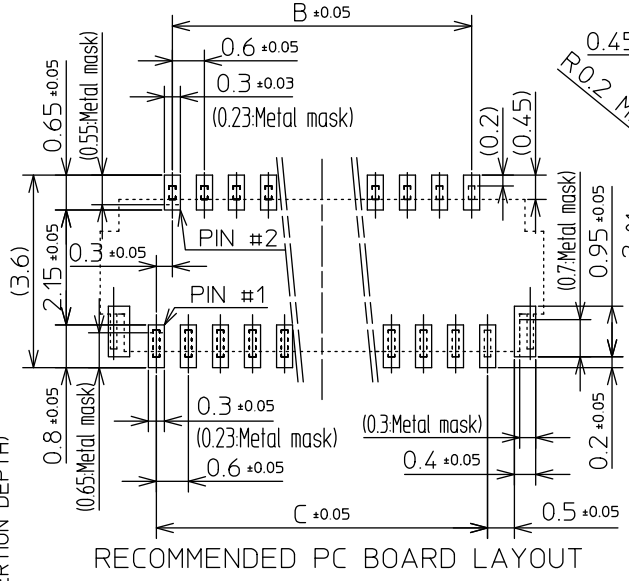
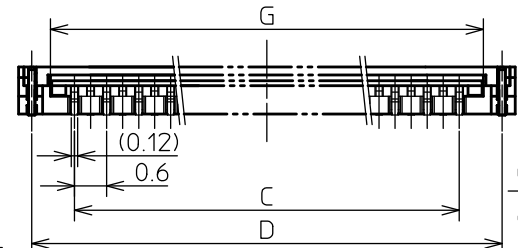
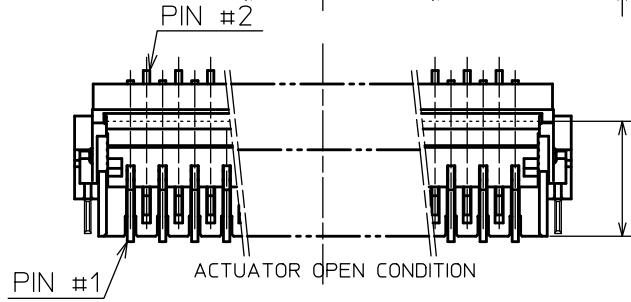
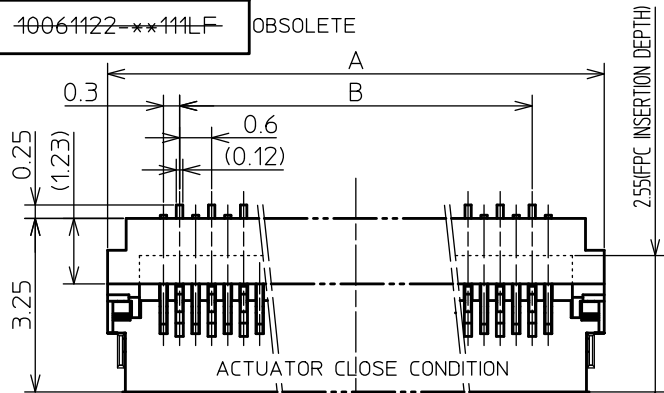


| mat'l. code | | surface | tolerance | projection | product family | CODE |
|-------------|-------------|-------------|-----------------|------------|--------------------------------|------|
| | | ISO 1302 | ISO 406 ISO 101 | | 587F (YLL-D) | JP |
| lfr | description | ech no | dr | date | title | |
| T | REVISED | ELX-J-20610 | TJ | 2015-04-17 | 0.3mm PITCH FPC CONNECTOR | |
| S | REVISED | ELX-J-14161 | TJ | 2013-03-05 | DOWN CONTACT TYPE ET PACKAGING | |
| R | REVISED | ELX-J-0246 | TJ | 2012-08-31 | scale | |
| P | REVISED | J11-0280 | TJ | 2011-12-14 | dwg no sheet of size | |
| N | REVISED | J10-0268 | TJ | 2010-10-12 | 10061122 10F37 A2 | |
| M | REVISED | J10-0185 | TJ | 2010-07-06 | type Product Customer Drawing | |
| L | REVISED | J10-0073 | TJ | 2010-05-17 | Rev. | |
| sheet | revision | T | N | G | A | C |
| index | size | 1 | 2 | 3 | 4 | 5 |

PRODUCT NO.

40061122-**-111LF

OBSOLETE



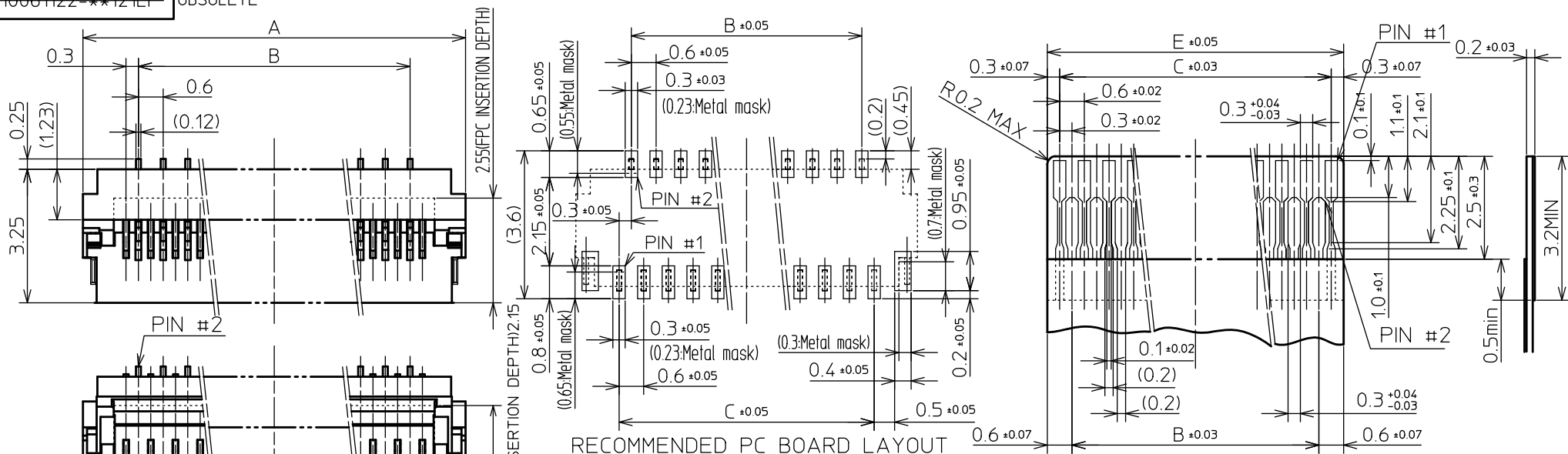
NOTE
 1.MATERIAL
 1)HOUSING:THERMOPLASTIC RESIN,UL94V-0,NATURAL
 2)ACTUATOR:THERMOPLASTIC RESIN,UL94V-0,BLACK
 3)CONTACT:COPPER ALLOY
 4)FIXING TAB:COPPER ALLOY
 2.FINISH
 1)CONTACT:ALL OVER Ni (WITH Ni BARRIER)
 (CONTACT AREA)Au
 (SOLDER TAIL AREA)Au
 Sn PLATING
 2)FIXING TAB:ALL OVER Ni
 Sn PLATING
 3.CO-PLANARITY:0.08MAX
 4.THICKNESS OF A METAL MASK:0.1mm
 5.FPC
 ADHESIVE METHOD OF SUPPORTING TAP SHALL BE HEAT CRIMPING
 METHOD AND THERMOSETTING ADHESIVE MATERIAL SHALL BE USED.
 6.PRODUCT
 RECOMMENDED PCB LAYOUT AND FPC AREA THE SAME AS
 10064555-**-2110ELFY(LL-UPPER CONTACT TYPE)
 7.OTHER
 THIS PRODUCT MEETS EUROPEAN UNION DIRECTIVES AND OTHER
 COUNTRY REGULATIONSAS DESCRIBED IN GS-22-008

| P/N | A | B | C | D | E | F | G | |
|------------------|------|------|------|------|------|------|-------|----------|
| 40061122-13111LF | 5.7 | 3.0 | 3.6 | 5.2 | 4.5 | 3.9 | 4.53 | OBSOLETE |
| 40061122-15111LF | 6.3 | 3.6 | 4.2 | 5.8 | 5.1 | 4.5 | 5.13 | OBSOLETE |
| 40061122-17111LF | 6.9 | 4.2 | 4.8 | 6.4 | 5.7 | 5.1 | 5.73 | OBSOLETE |
| 40061122-21111LF | 8.1 | 5.4 | 6.0 | 7.6 | 6.9 | 6.3 | 6.93 | OBSOLETE |
| 40061122-23111LF | 8.7 | 6.0 | 6.6 | 8.2 | 7.5 | 6.9 | 7.53 | OBSOLETE |
| 40061122-25111LF | 9.3 | 6.6 | 7.2 | 8.8 | 8.1 | 7.5 | 8.13 | OBSOLETE |
| 40061122-33111LF | 11.7 | 9.0 | 9.6 | 11.2 | 10.5 | 9.9 | 10.53 | OBSOLETE |
| 40061122-35111LF | 12.3 | 9.6 | 10.2 | 11.8 | 11.1 | 10.5 | 11.13 | OBSOLETE |
| 40061122-39111LF | 13.5 | 10.8 | 11.4 | 13.0 | 12.3 | 11.7 | 12.33 | OBSOLETE |
| 40061122-41111LF | 14.1 | 11.4 | 12.0 | 13.6 | 12.9 | 12.3 | 12.93 | OBSOLETE |

| | | | | | | | | | | | |
|-------------|--|-------------|--|------------------|--|------------|--|---------------------------|--|--------------------------|--|
| mat'l. code | | surface | | tolerance | | projection | | product family | | CODE | |
| | | ISO 1302 | | ISO 406 ISO 1101 | | MM | | 587F | | JP | |
| ltr | | description | | ecn no | | date | | title | | | |
| N | | REVISED | | ELX-J-01245-1 | | T.I | | 0.3mm PITCH FPC CONNECTOR | | | |
| M | | REVISED | | J11-0280 | | T.I | | DOWN CONTACT TYPE | | | |
| L | | REVISED | | J10-0185 | | T.I | | | | | |
| K | | REVISED | | J08-0430 | | K.O | | | | | |
| J | | REVISED | | J08-0315 | | K.O | | T.ISHISHITA | | 2012-08-31 | |
| H | | REVISED | | J08-0189 | | K.O | | H.Suzuki | | 2012-08-31 | |
| G | | REVISED | | J07-0399 | | K.O | | M.Kajjura | | 2012-08-31 | |
| sheet | | revision | | | | | | dwg no | | sheet of | |
| index | | sheet | | | | | | 10061122 | | 2 of 7 | |
| | | | | | | | | type | | Product Customer Drawing | |
| | | | | | | | | Rev. | | N | |

PRODUCT NO.

40064122-***124LF OBSOLETE



RECOMMENDED PCB LAYOUT

RECOMMENDED FPC CONFIGURATION

NOTE

- MATERIAL
 - HOUSING: THERMOPLASTIC RESIN, UL94V-0, NATURAL
 - ACTUATOR: THERMOPLASTIC RESIN, UL94V-0, BLACK
 - CONTACT: COPPER ALLOY
 - FIXING TAB: COPPER ALLOY
- FINISH
 - CONTACT: ALL OVER Ni (WITH Ni BARRIER) (CONTACT AREA) Au (SOLDER TAIL AREA) Au
 - FIXING TAB: ALL OVER Ni Sn PLATING
- CO-PLANARITY ± 0.08 MAX
- THICKNESS OF A METAL MASK: 0.1mm
- FPC

ADHESIVE METHOD OF SUPPORTING TAP SHALL BE HEAT CRIMPING METHOD AND THERMOSETTING ADHESIVE MATERIAL SHALL BE USED.
- PRODUCT

RECOMMENDED PCB LAYOUT AND FPC AREA THE SAME AS 10064555-***2210ELFY (LL-UPPER CONTACT TYPE)
- OTHER

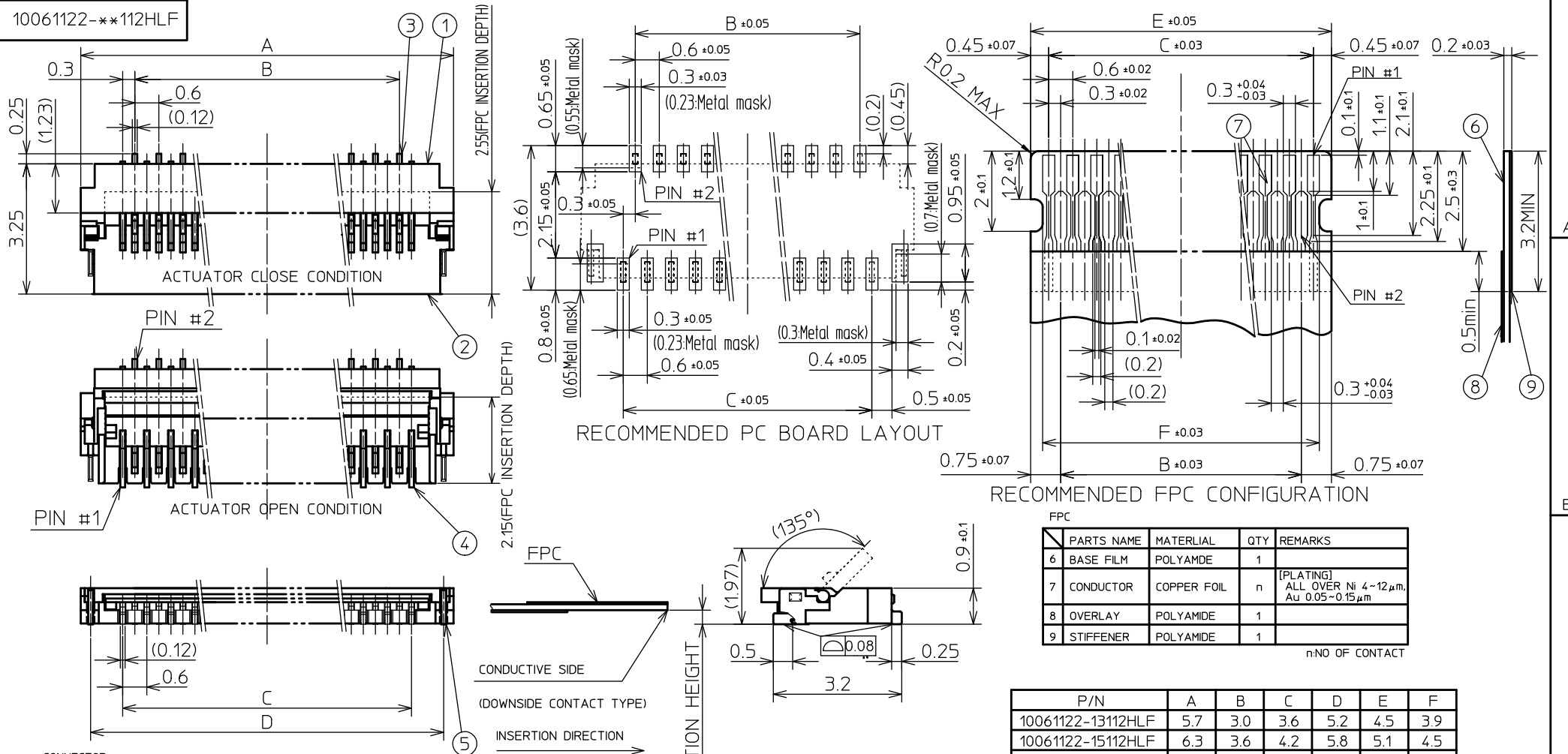
THIS PRODUCT MEETS EUROPEAN UNION DIRECTIVES AND OTHER COUNTRY REGULATIONS AS DESCRIBED IN GS-22-008

| P/N | A | B | C | D | E | |
|------------------|------|------|------|------|------|----------|
| 40064122-45124LF | 6.3 | 3.6 | 4.2 | 5.8 | 4.8 | OBSOLETE |
| 40064122-24124LF | 8.1 | 5.4 | 6.0 | 7.6 | 6.6 | OBSOLETE |
| 40064122-23424LF | 8.7 | 6.0 | 6.6 | 8.2 | 7.2 | OBSOLETE |
| 40064122-25424LF | 9.3 | 6.6 | 7.2 | 8.8 | 7.8 | OBSOLETE |
| 40064122-33424LF | 11.7 | 9.0 | 9.6 | 11.2 | 10.2 | OBSOLETE |
| 40064122-35424LF | 12.3 | 9.6 | 10.2 | 11.8 | 10.8 | OBSOLETE |
| 40064122-37424LF | 12.9 | 10.2 | 10.8 | 12.4 | 11.4 | OBSOLETE |
| 40064122-39424LF | 13.5 | 10.8 | 11.4 | 13.0 | 12.0 | OBSOLETE |
| 40064122-41424LF | 14.1 | 11.4 | 12.0 | 13.6 | 12.6 | OBSOLETE |
| 40064122-43424LF | 14.7 | 12.0 | 12.6 | 14.2 | 13.2 | OBSOLETE |
| 40064122-45424LF | 15.3 | 12.6 | 13.2 | 14.8 | 13.8 | OBSOLETE |

| | | | | | | | | | | | | |
|-------------|----------------|---------------|-----|------------------|---------------------------------------|----------------------------|-------|----------------------------|--|---|--|---------|
| mat'l. code | | | | surface ISO 1302 | | tolerance ISO 406 ISO 1101 | | projection | | product family 587F | | CODE JP |
| ltr | description | ec'n no | dr | date | tolerances unless otherwise specified | | | title | | 0.3mm PITCH FPC CONNECTOR DOWN CONTACT TYPE | | |
| G | REVISED | ELX-J-01245-1 | T.I | 2012-08-31 | angles | linear | ± 0.2 | MM | | dwg no 10061122 sheet of 3 of 37 size A3 | | |
| F | REVISED | J11-0280 | T.I | 2011-12-14 | | | | scale | | type Product Customer Drawing | | |
| E | REVISED | J10-0185 | T.I | 2010-7-6 | | | | | | Rev. G | | |
| D | REVISED | J10-0073 | T.I | 2010-5-17 | | | | | | | | |
| C | REVISED | J08-0430 | K.O | 2008-11-10 | | | | engr TISHISHITA 2012-08-31 | | | | |
| B | REVISED | J08-0189 | K.O | 2008-4-28 | | | | chr H.Suzuki 2012-08-31 | | | | |
| A | RELEASED | J07-0399 | K.O | 28/Sep/07 | | | | appd M.Kajiura 2012-08-31 | | | | |
| sheet index | revision sheet | | | | | | | | | | | |

PRODUCT NO.

10061122-**112HLF



| FPC | | | | |
|-----|------------|-------------|-----|--|
| NO | PARTS NAME | MATERIAL | QTY | REMARKS |
| 6 | BASE FILM | POLYAMIDE | 1 | |
| 7 | CONDUCTOR | COPPER FOIL | n | [PLATING] ALL OVER Ni 4~12μm, Au 0.05~0.15μm |
| 8 | OVERLAY | POLYAMIDE | 1 | |
| 9 | STIFFENER | POLYAMIDE | 1 | |

n:NO OF CONTACT

| P/N | A | B | C | D | E | F |
|-------------------|-----|-----|-----|-----|-----|-----|
| 10061122-13112HLF | 5.7 | 3.0 | 3.6 | 5.2 | 4.5 | 3.9 |
| 10061122-15112HLF | 6.3 | 3.6 | 4.2 | 5.8 | 5.1 | 4.5 |
| 10061122-17112HLF | 6.9 | 4.2 | 4.8 | 6.4 | 5.7 | 5.1 |
| 10061122-21112HLF | 8.1 | 5.4 | 6.0 | 7.6 | 6.9 | 6.3 |
| 10061122-23112HLF | 8.7 | 6.0 | 6.6 | 8.2 | 7.5 | 6.9 |
| 10061122-25112HLF | 9.3 | 6.6 | 7.2 | 8.8 | 8.1 | 7.5 |

*For the corresponding position, please make an inquire to sales person in our company.

| CONNECTOR | | | | |
|-----------|------------|---------------------------------|---------|---|
| NO | PARTS NAME | MATERIAL | QTY | REMARKS |
| 1 | HOUSING | TERMOPLASTIC HALOGEN FREE RESIN | 1 | UL94V-0.COLOR:BLACK |
| 2 | ACTUATOR | TERMOPLASTIC HALOGEN FREE RESIN | 1 | UL94V-0.COLOR:NATURAL |
| 3 | CONTACT A | COPPER ALLOY | (n-1)/2 | [PLATING] ALL OVER Ni(WITH Ni BARRIER) CONTACT AREA:Au SOLDER TAIL AREA:Au |
| 4 | CONTACT B | COPPER ALLOY | (n+1)/2 | |
| 5 | FIXING TAB | COPPER ALLOY | 2 | [PLATING] ALL OVER Ni.Sn |

n:NO OF CONTACT

NOTE

1.CO-PLANARITY:0.08mmMAX

2.THICKNESS OF A METAL MASK:0.1mm

3.FPC

Adhesive method of supporting tape shall be heat crimping method and thermosetting adhesive material shall be used.

4.PRODUCT

Recommended PCB layout and FPC area the same as 10064555-**2110*LF(YLL-Upper contact type)

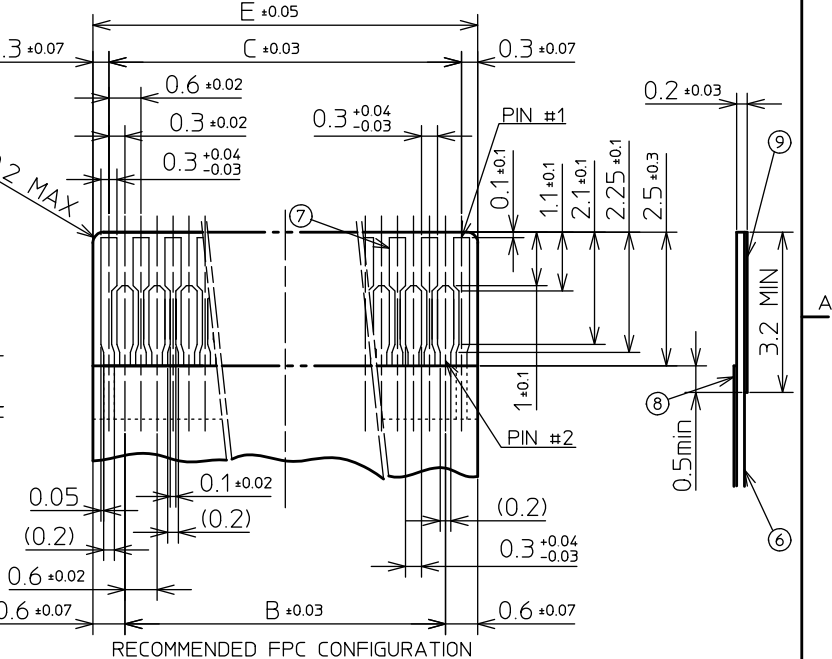
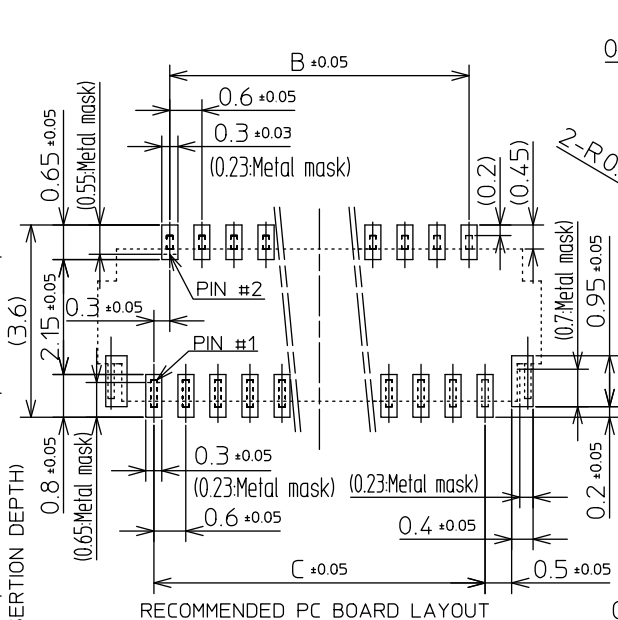
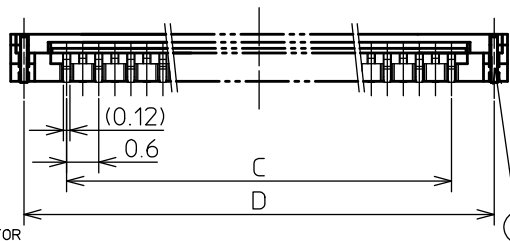
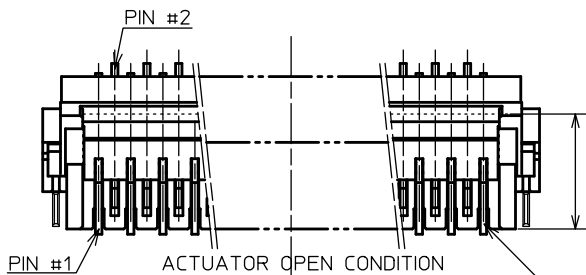
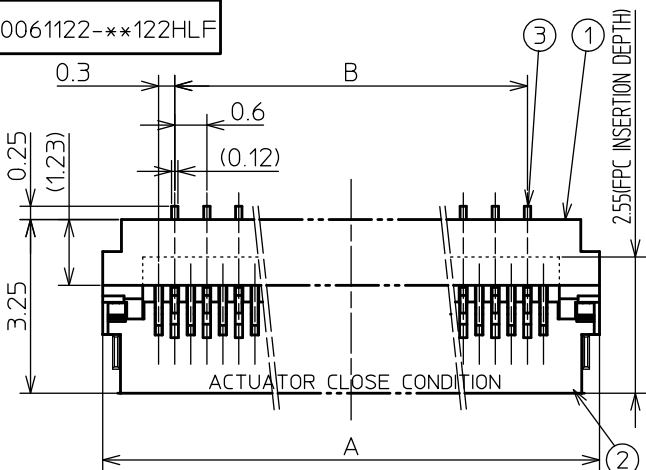
5.OTHER

This product meets European Union Directives and other country regulation as described in GS-22-008

| | | | | | | | | | | | |
|-------------|-------------|------------------|------|----------------------------|--|---------------------------------------|--|--|--|--------------------------|--|
| mat'l. code | | surface ISO 1302 | | tolerance ISO 406 ISO 1101 | | projection | | product family 587F (YLL-D) | | CODE JP | |
| l/r | description | ecn no | dr | date | | tolerances unless otherwise specified | | title | | | |
| A | Released | J10-0185 | T.I. | 2010-07-06 | | ±0.2 | | 0.3mm PITCH FPC CONNECTOR DOWN CONTACT TYPE | | | |
| | | angles | | linear | | ±2' | | scale | | | |
| | | dr | | T.ISHISHITA | | 2010-07-06 | | dwg no | | sheet of size | |
| | | enr | | Y.Kameda | | 2010-07-06 | | 10061122 | | 4 of 7 A3 | |
| | | appd | | M.Kajiura | | 2010-07-06 | | type | | Product Customer Drawing | |
| sheet index | | revision sheet | | | | | | | | Rev. A | |

PRODUCT NO

10061122-**-**122HLF



| FPC | | | |
|------------|-----------|-------------|--|
| PARTS NAME | MATERIAL | QTY | REMARKS |
| 6 | BASE FILM | POLYAMDE | 1 |
| 7 | CONDUCTOR | COPPER FOIL | n [PLATING] ALL OVER Ni 4~12 μm, Au 0.05~0.15 μm |
| 8 | OVERLAY | POLYAMIDE | 1 |
| 9 | STIFFENER | POLYAMIDE | 1 |

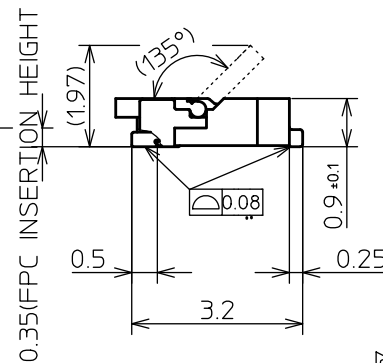
n: NO OF CONTACT

| P/N | A | B | C | D | E |
|-------------------|-----|-----|-----|-----|-----|
| 10061122-15122HLF | 6.3 | 3.6 | 4.2 | 5.8 | 4.8 |
| 10061122-21122HLF | 8.1 | 5.4 | 6.0 | 7.6 | 6.6 |
| 10061122-23122HLF | 8.7 | 6.0 | 6.6 | 8.2 | 7.2 |
| 10061122-25122HLF | 9.3 | 6.6 | 7.2 | 8.8 | 7.8 |

*For the corresponding position, please make an inquire to sales person in our company.

| CONNECTOR | | | | |
|------------|------------|---------------------------------|---------|--|
| PARTS NAME | MATERIAL | QTY | REMARKS | |
| 1 | HOUSING | TERMOPLASTIC HALOGEN FREE RESIN | 1 | UL94V-0,COLOR:BLACK |
| 2 | ACTUATOR | TERMOPLASTIC HALOGEN FREE RESIN | 1 | UL94V-0,COLOR:NATURAL |
| 3 | CONTACT A | COPPER ALLOY | (n-1)/2 | [PLATING] ALL OVER Ni(WITH Ni BARRIER) CONTACT AREA:Au SOLDER TAIL AREA:Au |
| 4 | CONTACT B | COPPER ALLOY | (n+1)/2 | [PLATING] ALL OVER Ni,Sn |
| 5 | FIXING TAB | COPPER ALLOY | 2 | [PLATING] ALL OVER Ni,Sn |

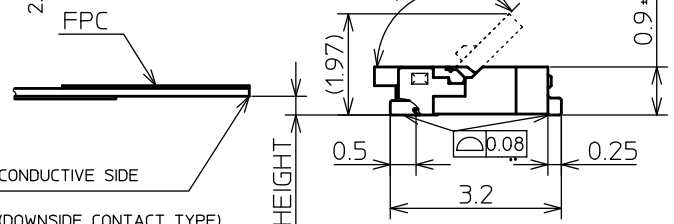
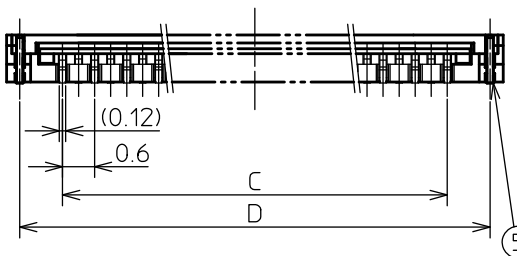
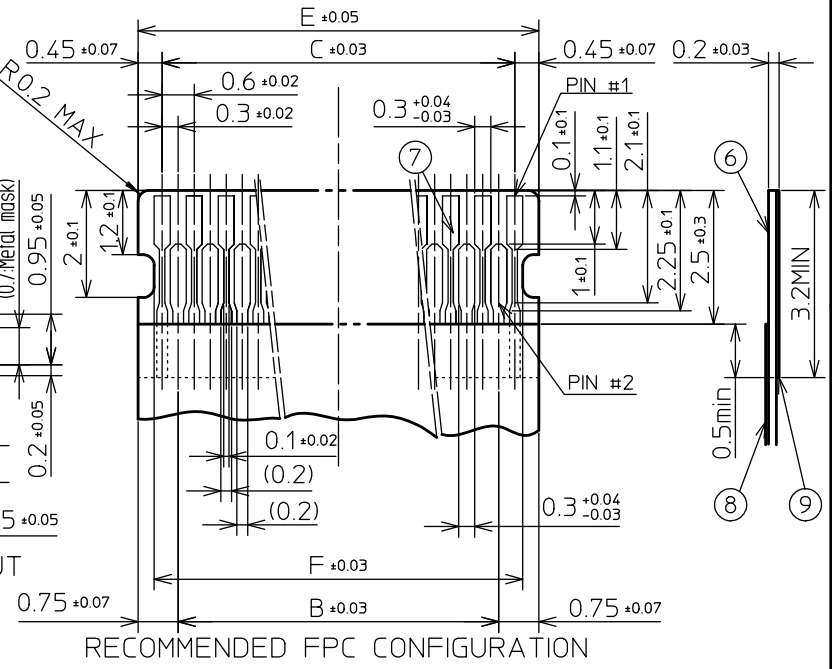
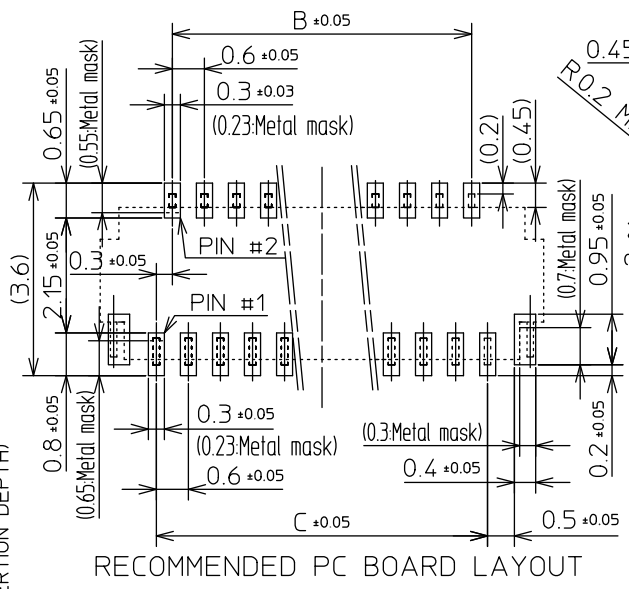
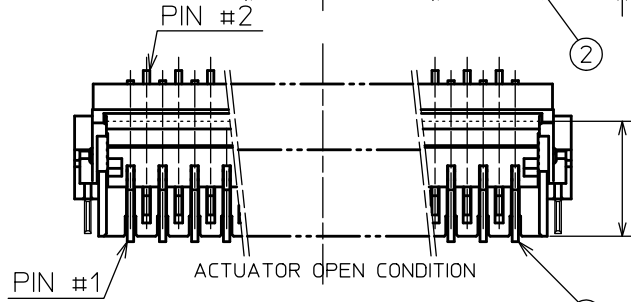
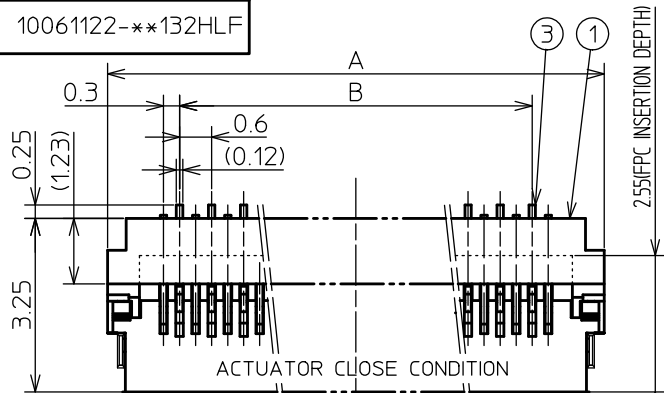
NOTE
 1.CO-PLANARITY:0.08mmMAX
 2.THICKNESS OF A METAL MASK:0.1mm
 3.FPC
 Adhesive method of supporting tape shall be heat crimping method and thermosetting adhesive material shall be used.
 4.PRODUCT
 Recommended PCB layout and FPC area the same as 10064555-**-**2110*LF(YLL-Upper contact type)
 5.OTHER
 This product meets European Union Directives and other country regulation as described in GS-22-008



| | | | | | | | | | | | |
|-------------|-------------|------------------|-----|----------------------------|--|---------------------------------------|--|---|--|-------------------------------|--|
| mat'l. code | | surface ISO 1302 | | tolerance ISO 406 ISO 1101 | | projection | | product family 587F (YLL-D) | | CODE JP | |
| lfr | description | ecn no | dr | date | | tolerances unless otherwise specified | | title | | size | |
| A | Released | J10-0185 | T.I | 2010-07-06 | | ± 0.2 | | 0.3mm PITCH FPC CONNECTOR DOWN CONTACT TYPE | | A3 | |
| B | Revised | ELX-J-12415 | T.I | 2012-08-31 | | linear | | MM | | sheet of 5 of 7 | |
| C | Revised | ELX-J-20618 | T.I | 2015-04-17 | | ± 2' | | scale | | type Product Customer Drawing | |
| sheet index | | revision sheet | | dr T.ISHISHITA 2015-04-17 | | engr M.Minato 2015-04-17 | | appd N.Sasame 2015-04-17 | | Rev. C | |

PRODUCT NO.

10061122-**132HLF



| PARTS NAME | MATERIAL | QTY | REMARKS |
|------------|-----------|-------------|--|
| 6 | BASE FILM | POLYAMDE | 1 |
| 7 | CONDUCTOR | COPPER FOIL | n [PLATING] ALL OVER Ni 4~12µm, Au 0.05~0.15µm |
| 8 | OVERLAY | POLYAMIDE | 1 |
| 9 | STIFFENER | POLYAMIDE | 1 |

n: NO OF CONTACT

| P/N | A | B | C | D | E | F |
|-------------------|------|------|------|------|------|------|
| 10061122-27132HLF | 9.9 | 7.2 | 7.8 | 9.4 | 8.7 | 8.1 |
| 10061122-29132HLF | 10.5 | 7.8 | 8.4 | 10.0 | 9.3 | 8.7 |
| 10061122-33132HLF | 11.7 | 9.0 | 9.6 | 11.2 | 10.5 | 9.9 |
| 10061122-35132HLF | 12.3 | 9.6 | 10.2 | 11.8 | 11.1 | 10.5 |
| 10061122-39132HLF | 13.5 | 10.8 | 11.4 | 13.0 | 12.3 | 11.7 |
| 10061122-41132HLF | 14.1 | 11.4 | 12.0 | 13.6 | 12.9 | 12.3 |
| 10061122-45132HLF | 15.3 | 12.6 | 13.2 | 14.8 | 14.1 | 13.5 |

| PARTS NAME | MATERIAL | QTY | REMARKS |
|--------------|---------------------------------|---------|--|
| 1 HOUSING | TERMOPLASTIC HALOGEN FREE RESIN | 1 | UL94V-0,COLOR:BLACK |
| 2 ACTUATOR | TERMOPLASTIC HALOGEN FREE RESIN | 1 | UL94V-0,COLOR:NATURAL |
| 3 CONTACT A | COPPER ALLOY | (n-1)/2 | [PLATING] ALL OVER Ni(WITH Ni BARRIER) CONTACT AREA: Au SOLDER TAIL AREA: Au |
| 4 CONTACT B | COPPER ALLOY | (n+1)/2 | [PLATING] ALL OVER Ni,Sn |
| 5 FIXING TAB | COPPER ALLOY | 2 | [PLATING] ALL OVER Ni,Sn |

n: NO OF CONTACT

NOTE
 1.CO-PLANARITY:0.08mmMAX
 2.THICKNESS OF A METAL MASK:0.1mm
 3.FPC
 Adhesive method of supporting tape shall be heat crimping method and thermosetting adhesive material shall be used.
 4.PRODUCT
 Recommended PCB layout and FPC area the same as 10064555-**2110*LF(YLL-Upper contact type)
 5.OTHER
 This product meets European Union Directives and other country regulation as described in GS-22-008

| | | | | | | | | | | | |
|-------------------------------|-------------|------------------|-----|----------------------------|---------------------------------------|--------------------------|------|---|--|-----------------|--|
| mat'l. code | | surface ISO 1302 | | tolerance ISO 406 ISO 1101 | | projection | | product family 587F (YLL-D) | | CODE JP | |
| l/r | description | ecn no | dr | date | tolerances unless otherwise specified | | | title | | | |
| A | Released | J10-0185 | T.I | 2010-07-06 | angles | linear | ±0.2 | 0.3mm PITCH FPC CONNECTOR DOWN CONTACT TYPE | | | |
| B | Revised | J10-0268 | T.I | 2010-10-12 | MM | | | scale | | | |
| C | Revised | ELX-J-01245-1 | T.I | 2012-08-31 | ±2' | | | sheet of size | | | |
| sheet index | | revision sheet | | dr T.ISHISHITA 2012-08-31 | | engr H.Suzuki 2012-08-31 | | chr M.Kajjura 2012-08-31 | | appd | |
| FCJ | | | | | | | | dwg no 10061122 | | sheet of 6 of 7 | |
| type Product Customer Drawing | | | | | | | | Rev. C | | size A3 | |

Mouser Electronics

Authorized Distributor

Click to View Pricing, Inventory, Delivery & Lifecycle Information:

[FCI:](#)

[10061122-211110HLF](#) [10061122-351110HLF](#) [10061122-391420HLF](#) [10061122-451420HLF](#) [10061122-171110HLF](#)
[10061122-391110HLF](#) [10061122-511210HLF](#)