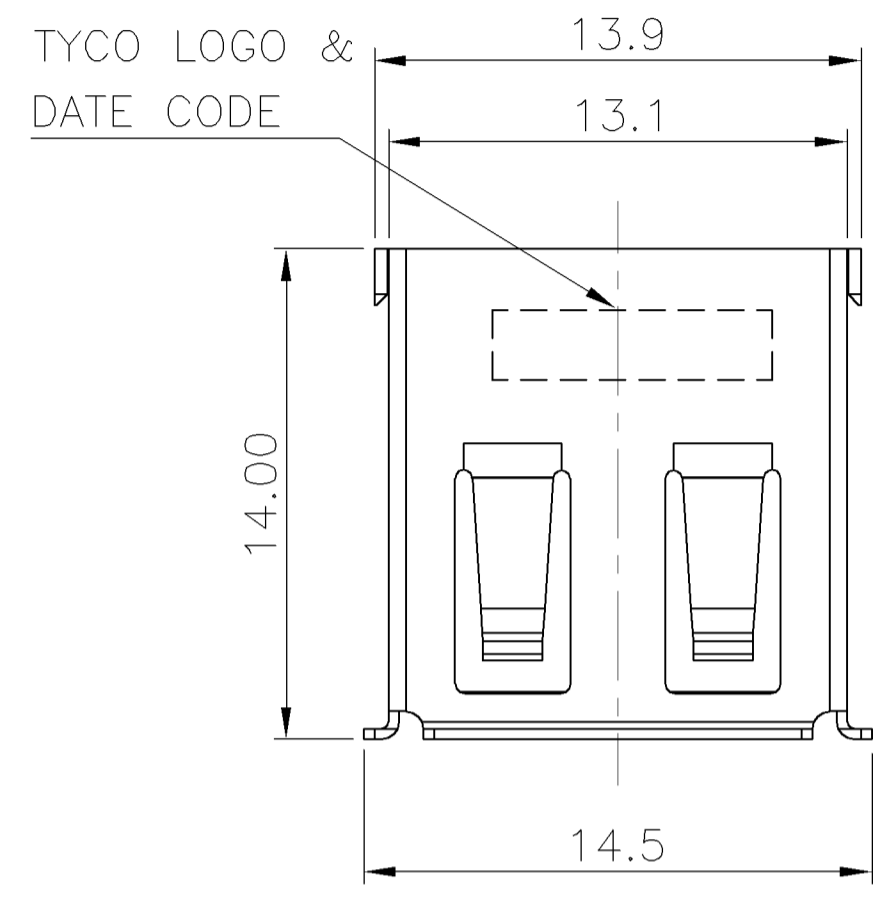
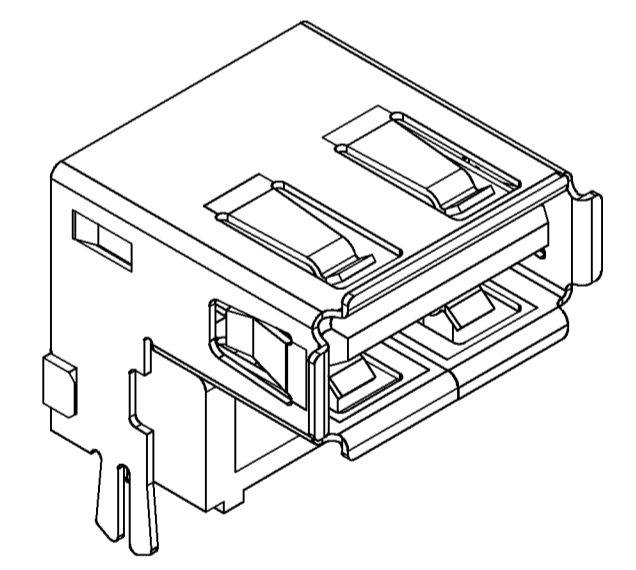
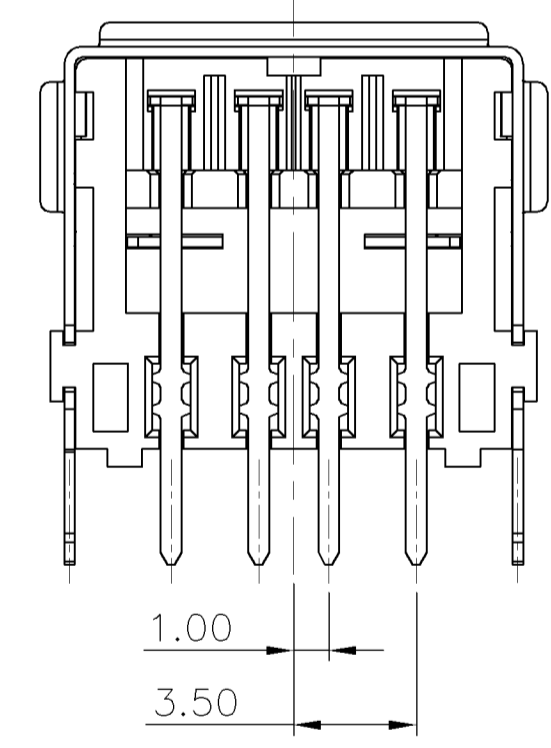
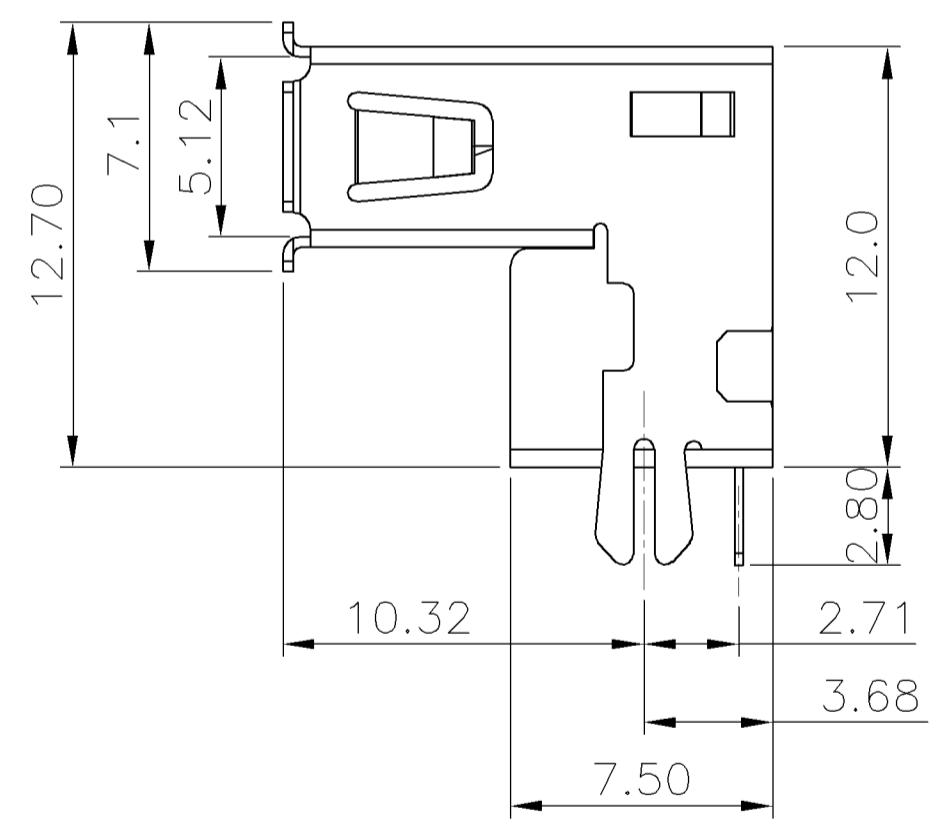
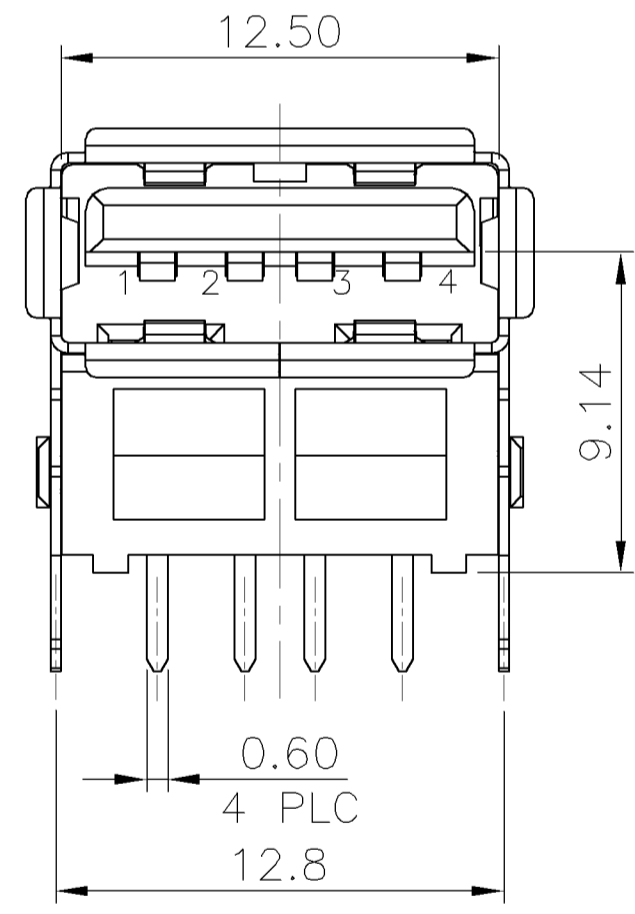
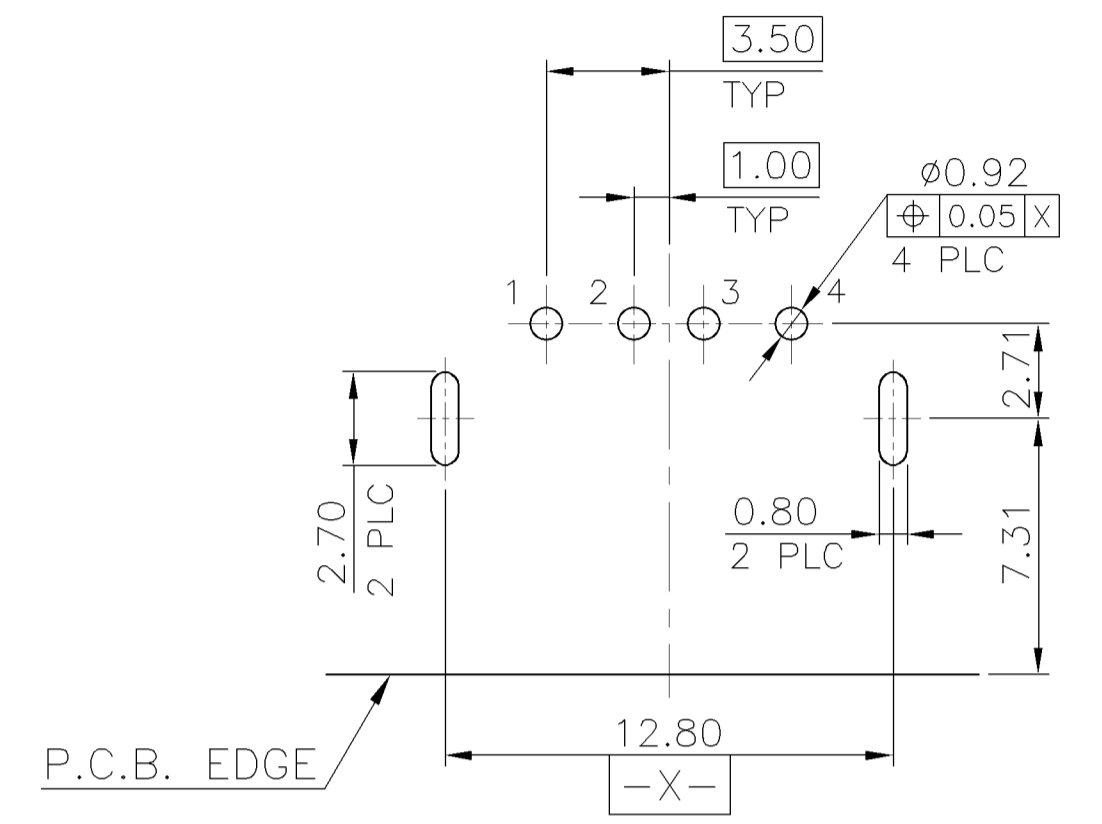


THIS DRAWING IS UNPUBLISHED. RELEASED FOR PUBLICATION  
 © COPYRIGHT BY TYCO ELECTRONICS CORPORATION. ALL RIGHTS RESERVED.

LOC	DIST	REVISIONS			
P	LTR	DESCRIPTION	DATE	DWN	APVD
DW	—				
	A1	ECR-07-019116, CHANGE PACKAGE QUANTITY	30MAR07	OH	WK



- NOTES:
- MATERIAL:  
 HOUSING: PA9T WITH 30% GLASS FIBER FILLED.  
 UL 94V-0 RATED, BLACK COLOR  
 CONTACT: PHOSPHOR BRONZE.  
 SHIELD: BRASS.
  - FINISH :  
 CONTACT: 0.76μm [30μ"] MIN. GOLD PLATED ON CONTACT AREA.  
 3.81μm [150μ"] MIN. BRIGHT-TIN ON SOLDER TAILS.  
 WITH ENTIRE CONTACT UNDERPLATED 1.27μm [50μ"] MIN. NICKEL.  
 SHIELD: 1.27μm [50μ"] MIN. NICKEL PLATED OVER 2.54μm [100μ"] MIN. Cu.
  - REFLOW SOLDER CAPABLE TO 260°C PER TYCO SPEC 109-201, CONDITION B.

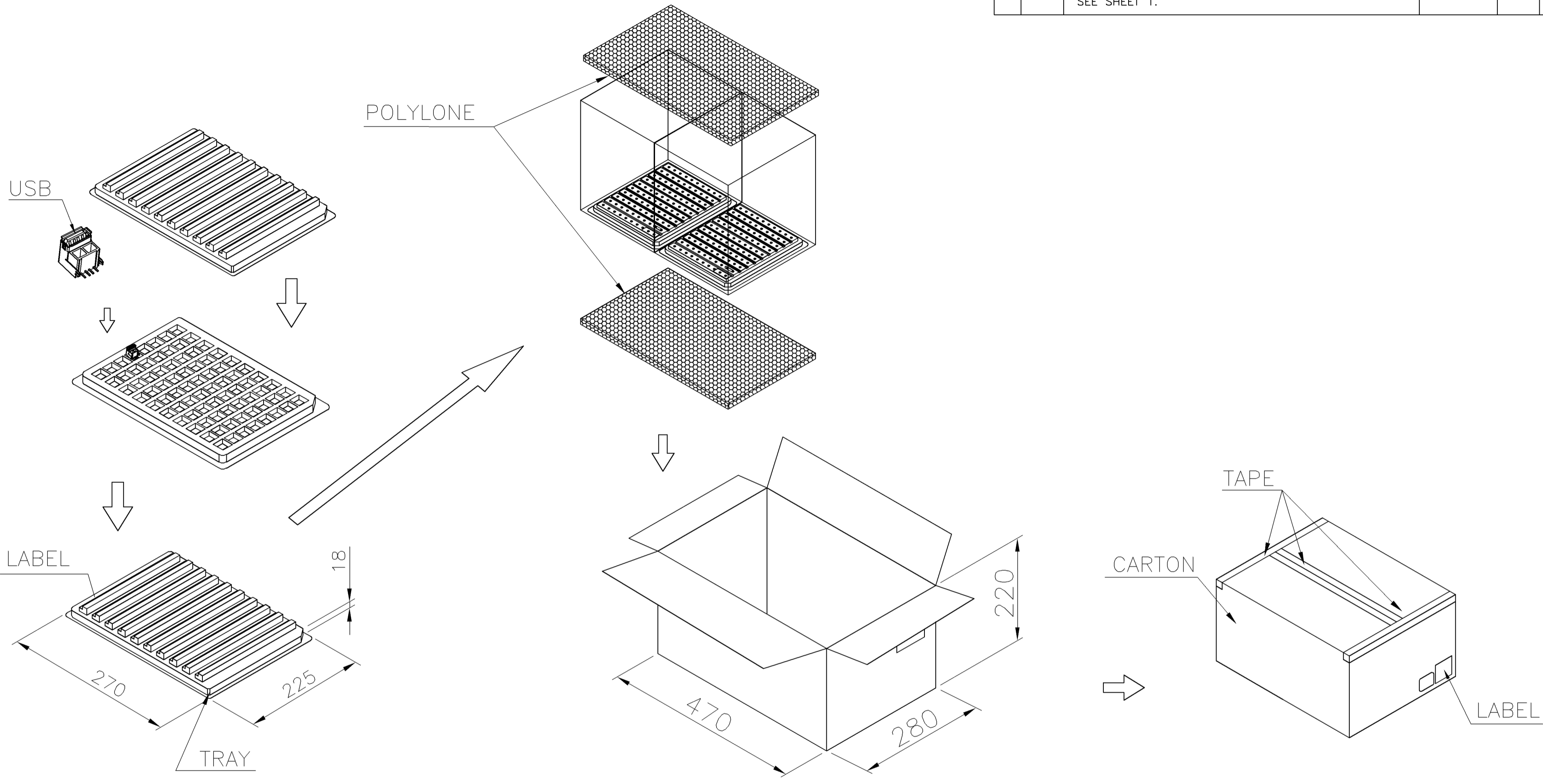


177545-1  
 PART NUMBER

THIS DRAWING IS A CONTROLLED DOCUMENT.		DWN O. HU 13AUG2007	Tyco Electronics Corporation Taipei, Taiwan		
DIMENSIONS: MM		CHK S. HOU 13AUG2007			
TOLERANCES UNLESS OTHERWISE SPECIFIED:		APVD W.J. KE 13AUG2007	NAME		
0 PLC ± - 1 PLC ± 0.35 2 PLC ± 0.25 3 PLC ± - 4 PLC ± - ANGLES ± 3°		PRODUCT SPEC 108-57628	USB CONNECTOR, RECEPTACLE, STACKED, SERIES A		
MATERIAL SEE NOTE		QUALIFICATION TEST REPORT 501-57743	SIZE A3	CAGE CODE 00779	DRAWING NO C=177545
FINISH SEE NOTE		WEIGHT 2.28 GRAMS	RESTRICTED TO		
		CUSTOMER DRAWING	SCALE -	SHEET 1 OF 2	REV A1

THIS DRAWING IS UNPUBLISHED. RELEASED FOR PUBLICATION  
 © COPYRIGHT BY TYCO ELECTRONICS CORPORATION. ALL RIGHTS RESERVED.

LOC	DIST	REVISIONS				
P	LTR	DESCRIPTION	DATE	DWN	APVD	
		SEE SHEET 1.				



6.89 Kg	4.56 Kg	100	20	2000 PCS
GROSS WEIGHT	NET WEIGHT	PCS/TRAY	TRAYS/CARTON	QUANTITY

THIS DRAWING IS A CONTROLLED DOCUMENT.		DWN	O. HU	13AUG2007	Tyco Electronics Corporation Taipei, Taiwan	
DIMENSIONS: MM		CHK	S. HOU	13AUG2007		
		TOLERANCES UNLESS OTHERWISE SPECIFIED:		NAME		
MATERIAL		FINISH		USB CONNECTOR, RECEPTACLE, STACKED, SERIES A		
		APVD		W.J. KE		13AUG2007
		PRODUCT SPEC		SIZE		
		APPLICATION SPEC		CAGE CODE		DRAWING NO
		WEIGHT		A300779		RESTRICTED TO
		CUSTOMER DRAWING		G= 1775545		SCALE
				SHEET		2 OF 2
				REV		A1