

D-SUB contact support - VS-25-ST-DSUB-CD-G - 1689938


Please be informed that the data shown in this PDF Document is generated from our Online Catalog. Please find the complete data in the user's documentation. Our General Terms of Use for Downloads are valid (<http://phoenixcontact.com/download>)



D-SUB contact carrier, shell size 3, for 25 signal contacts, type of contact pin, for crimp contacts, straight, fixing with 4-40 UNC thread, for panel mounting frame VS-25-...



Key Commercial Data

Packing unit	10 pc
Minimum order quantity	10 pc
GTIN	 4 017918 914332
Weight per Piece (excluding packing)	9.63 g
Custom tariff number	85366990
Country of origin	Germany
Note	Made to Order (non-returnable)

Technical data

General data

Number of positions	25
Overvoltage category	III
Pollution degree	2

Classifications

eCl@ss

eCl@ss 4.0	27140816
eCl@ss 4.1	27260701
eCl@ss 5.0	27260701
eCl@ss 5.1	27260701
eCl@ss 6.0	27261203
eCl@ss 7.0	27440202
eCl@ss 8.0	27440205

D-SUB contact support - VS-25-ST-DSUB-CD-G - 1689938

Classifications

ETIM

ETIM 2.0	EC000437
ETIM 3.0	EC000437
ETIM 4.0	EC000438
ETIM 5.0	EC000438

UNSPSC

UNSPSC 6.01	30211923
UNSPSC 7.0901	39121522
UNSPSC 11	39121522
UNSPSC 12.01	39121522
UNSPSC 13.2	39121522

Approvals

Approvals

Approvals


EAC / UL Recognized

Ex Approvals

Approvals submitted

Approval details

EAC

UL Recognized 

Accessories

Accessories

Crimp contact

D-SUB contact support - VS-25-ST-DSUB-CD-G - 1689938

Accessories

D-SUB crimp contact - VS-ST-CD-1,0/14,8/0,2 - 1688971



Crimp contact, for D-SUB contact inserts with standard contact density, pin, connection cross section AWG 28 ... 24, turned, gold-plated

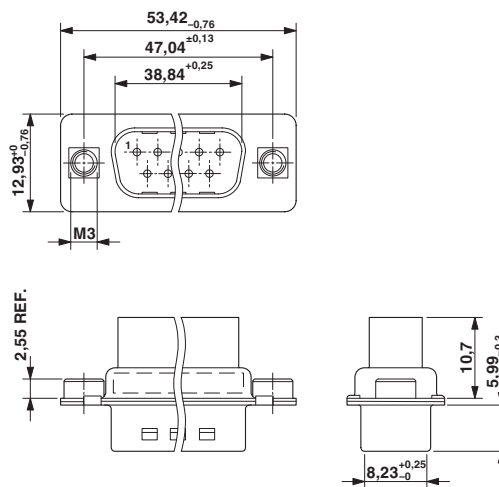
D-SUB crimp contact - VS-ST-CD-1,0/14,8/0,5 - 1688968



Crimp contact, for D-SUB contact inserts with standard contact density, pin, connection cross section AWG 24 ... 20, turned, gold-plated

Drawings

Dimensional drawing



D-SUB contact carrier