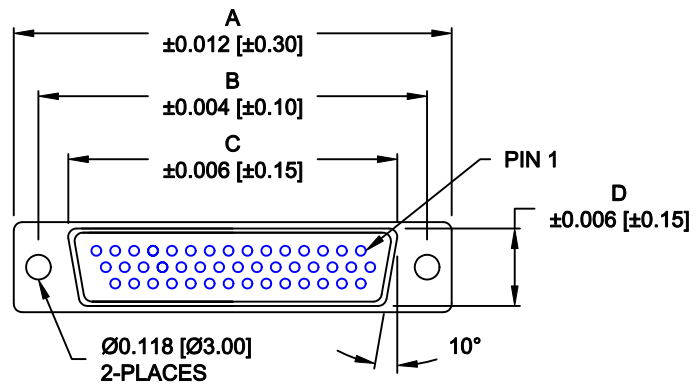
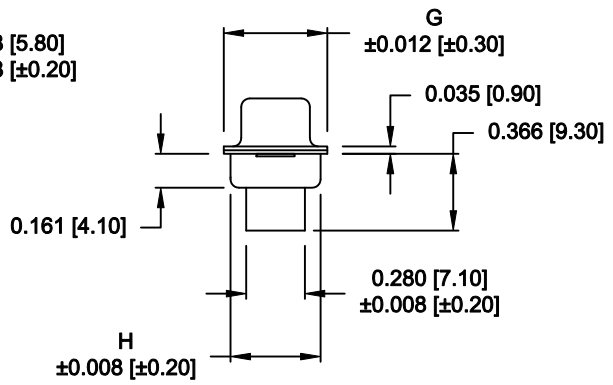
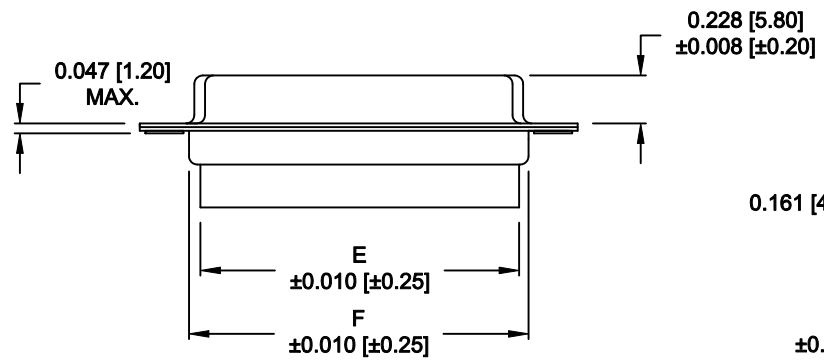


DESCRIPTION: HIGH DENSITY FEMALE - CRIMP AND LOAD



4 ROWS

No. OF PINS	DIMENSIONS							
	B	C	D	E	F	G	H	
15	1.213	0.984	0.643	0.311	0.606	0.756	0.496	0.429
	30.80	24.99	16.34	7.90	15.40	19.20	12.60	10.90
26	1.541	1.312	0.966	0.311	0.954	1.091	0.496	0.429
	39.15	33.32	24.53	7.90	24.22	27.70	12.60	10.90
44	2.087	1.852	1.512	0.311	1.499	1.618	0.496	0.429
	53.00	47.04	38.40	7.90	38.08	41.10	12.60	10.90
62	2.728	2.500	2.156	0.311	2.147	2.256	0.496	0.429
	69.30	63.50	54.76	7.90	54.54	57.30	12.60	10.90
78	2.638	2.406	2.057	0.429	2.043	2.169	0.606	0.526
	67.00	61.10	52.26	10.90	51.90	55.10	15.40	13.35



180-YYY-27YLYY0

SERIES \_\_\_\_\_  
 POSITIONS \_\_\_\_\_  
 015 \_\_\_\_\_  
 026 \_\_\_\_\_  
 044 \_\_\_\_\_  
 062 \_\_\_\_\_  
 078 \_\_\_\_\_  
 GENDER \_\_\_\_\_  
 2 = FEMALE  
 TERMINATION \_\_\_\_\_  
 7 = CRIMP & LOAD  
 SHELL PLATING \_\_\_\_\_  
 2 = TIN  
 3 = NICKEL  
 RoHS COMPLIANT (230°C) \_\_\_\_\_  
 HARDWARE OPTIONS \_\_\_\_\_  
 00 = NO HARDWARE  
 01 = .098" CLINCH NUT (BOARD SIDE)  
 02 = .236" CLINCH NUT (BOARD SIDE)  
 03 = .236" CLINCH NUT (MATING SIDE)  
 PLATING OPTIONS \_\_\_\_\_  
 0 = NO CONTACTS

**MATERIAL:**

SHELL: STEEL, TIN OR NICKEL PLATED  
 INSULATOR: PBT, UL 94V-O RATED,  
 +30% FIBER-GLASS OR NYLON-66  
 CONTACT: BRASS, GOLD PLATED OVER NICKEL

**ELECTRICAL:**

CURRENT RATING: 5 AMPS  
 CONTACT RESISTANCE: 15 mOhms Max.  
 INSULATION RESISTANCE: 1,000 MOhms min.  
 VOLTAGE: 500VAC FOR 1 MINUTE  
 TEMPERATURE: -50° C TO 100° C

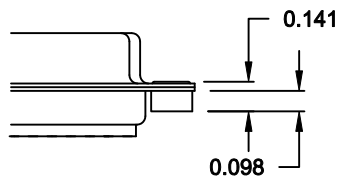
RoHS COMPLIANT

DO NOT SCALE FROM DRAWING

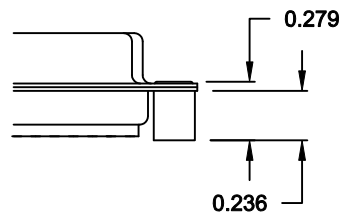
	THESE DRAWINGS AND SPECIFICATIONS ARE THE PROPERTY OF NorComp AND SHALL NOT BE REPRODUCED, COPIED OR USED AS THE BASIS FOR THE MANUFACTURE OF SALE OF APPARATUS WITHOUT WRITTEN PERMISSION.		DRAWN: <b>PAM JENKINS</b>	DATE: <b>7-19-05</b>
			CHECKED:	DATE:
<b>NorComp</b>		SCALE:	SHEET <b>1</b> OF <b>2</b>	REV <b>14</b>
		DWG NO. <b>180-YYY-27YLYY0</b>		

**ALL CLINCH-NUTS ARE 4-40 INTERNAL THREADS**

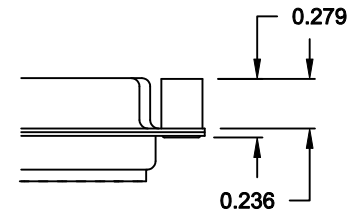
01X ..... 0.065" (BOARD SIDE) - CN1



02X ..... 0.236" (BOARD SIDE) - CN2



03X..... 0.236" (MATING SIDE) - CN8



**DO NOT SCALE FROM DRAWING**



THESE DRAWINGS AND SPECIFICATIONS ARE THE PROPERTY OF NorComp AND SHALL NOT BE REPRODUCED, COPIED OR USED AS THE BASIS FOR THE MANUFACTURE OF SALE OF APPARATUS WITHOUT WRITTEN PERMISSION.

DRAWN:  
**WAYNE ROBBINS**

DATE:  
**11-28-05**

CHECKED:

DATE:

**NorComp**

SCALE:	SHEET	OF	REV
	2	2	14

DWG NO. **180-YYY-27YLYY0**

**RoHS COMPLIANT**

# Mouser Electronics

Authorized Distributor

Click to View Pricing, Inventory, Delivery & Lifecycle Information:

## NorComp:

[180-078-273L000](#) [180-015-273L010](#) [180-015-273L020](#) [180-015-273L030](#) [180-026-273L010](#) [180-026-273L020](#)  
[180-026-273L030](#) [180-044-273L010](#) [180-044-273L020](#) [180-044-273L030](#) [180-062-273L010](#) [180-062-273L020](#) [180-](#)  
[062-273L030](#) [180-078-273L010](#) [180-078-273L020](#) [180-078-273L030](#) [180-044-273L000](#) [180-015-273L000](#) [180-026-](#)  
[273L000](#) [180-062-273L000](#) [180-015-272L000](#) [180-015-272L010](#) [180-015-272L020](#) [180-015-272L030](#) [180-026-](#)  
[272L000](#) [180-026-272L010](#) [180-026-272L020](#) [180-026-272L030](#) [180-044-272L000](#) [180-044-272L010](#) [180-044-](#)  
[272L020](#) [180-044-272L030](#) [180-062-272L000](#) [180-062-272L010](#) [180-062-272L020](#) [180-062-272L030](#) [180-078-](#)  
[272L000](#) [180-078-272L010](#) [180-078-272L020](#) [180-078-272L030](#)