

4

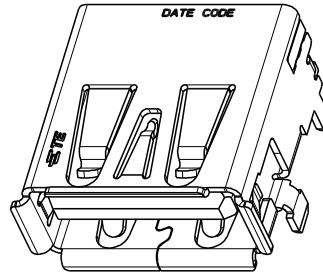
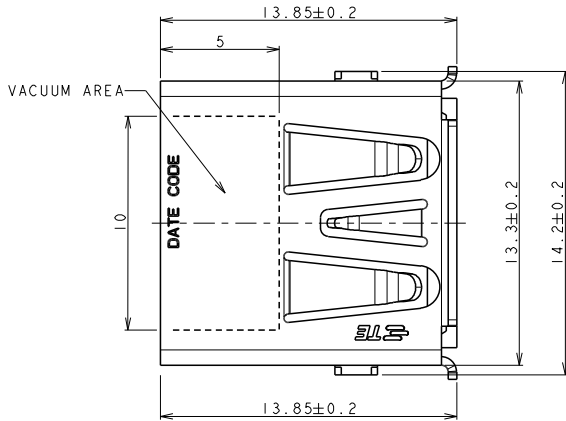
3

2

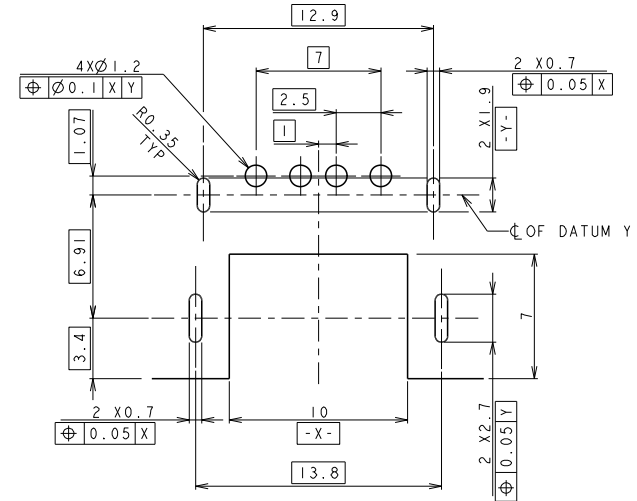
1

THIS DRAWING IS UNPUBLISHED. RELEASED FOR PUBLICATION 20
 © COPYRIGHT 20 BY - ALL RIGHTS RESERVED.

LOC		DIST		REVISIONS			
P	LTR	DESCRIPTION	DATE	DWN	APVD		
	A	RELEASED	06APR2012	J.H	S.Y		



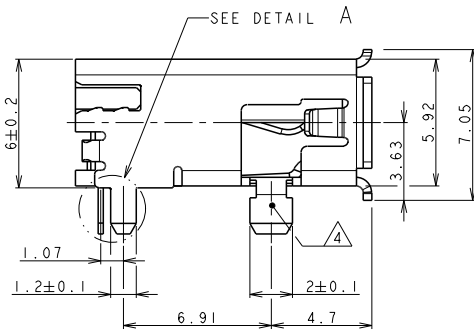
3D VIEW ONLY FOR REFERENCE



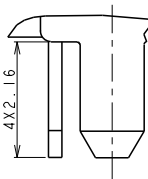
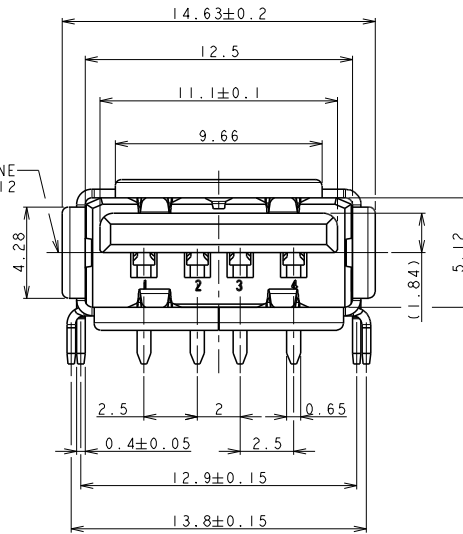
RECOMMENDED PCB LAYOUT (THICKNESS=1.2mm, TOLERANCE=±0.05)

NOTES:

- △ MATERIALS:
 - HOUSING: NYLON, LOW HALOGEN; COLOR: BLACK
 - CONTACTS: COPPER ALLOY
 - SHIELD: CARBON STEEL (T=0.40mm)
- △ FINISH:
 - CONTACT: 0.13µm MIN GOLD PLATING AND POROSITY SEALING TREATMENT ON CONTACT AREA
 - 3.8µm MIN MATTE TIN ON SOLDER TAILS
 - 1.27µm MIN NICKEL UNDER PLATING
 - SHIELD: 3µm MIN MATTE TIN ALL OVER 1.0µm MIN NICKEL INCLUDES FRACTURE SURFACE (EDGE)



CENTER LINE OF 5.12



DETAIL A SCALE 15:1

1932854-1
PART NUMBER

THIS DRAWING IS A CONTROLLED DOCUMENT.		DWN ADAMS LV 21APR2011	TE Connectivity	
DIMENSIONS: mm		CHW MARTIN LI 21APR2011		
TOLERANCES UNLESS OTHERWISE SPECIFIED:		APVD STEVEN YAO 21APR2011	NAME	
0 PLC ±		PRODUCT SPEC	RECEPTACLE ASSEMBLY RIGHT ANGLE	
1 PLC ±0.20		108-60034	SMT USB 2.0	
2 PLC ±0.20		APPLICATION SPEC	SIZE CAGE CODE DRAWING NO RESTRICTED TO	
3 PLC ±		WEIGHT	A200779 ©=1932854	
4 PLC ±		CUSTOMER DRAWING	SCALE 6:1 SHEET 1 OF 2 REV A	
ANGLES FINISH				

4

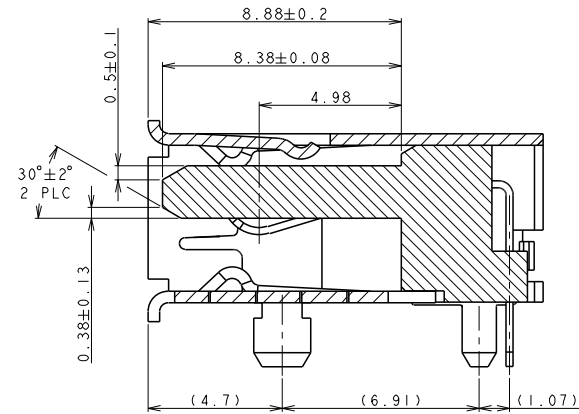
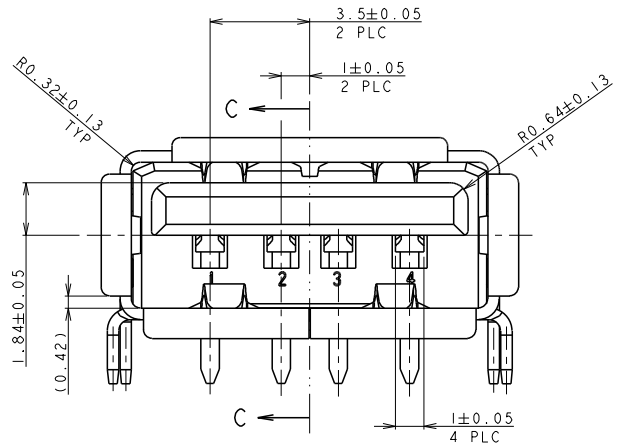
3

2

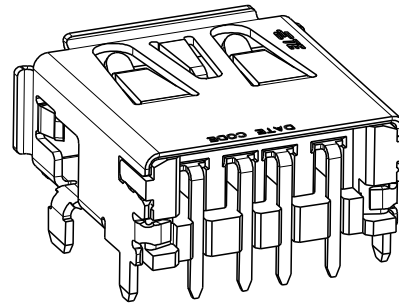
1

THIS DRAWING IS UNPUBLISHED. RELEASED FOR PUBLICATION 20
 © COPYRIGHT 20 BY - ALL RIGHTS RESERVED.


LOC	DIST	REVISIONS					
ES	00	P	LTR	DESCRIPTION	DATE	DWN	APVD
		-		SEE SHEET 1	-	-	-



SECTION C-C



3D VIEW ONLY FOR REFERENCE

THIS DRAWING IS A CONTROLLED DOCUMENT.		DWN ADAMS LV 21APR2011	 TE Connectivity
		CHK MARTIN LI 21APR2011	
DIMENSIONS: mm		APVD STEVEN YAO 21APR2011	NAME
TOLERANCES UNLESS OTHERWISE SPECIFIED:		PRODUCT SPEC	RECEPTACLE ASSEMBLY RIGHT ANGLE
0 PLC ±		APPLICATION SPEC	SMT USB 2.0
1 PLC ±0.20		SIZE	CAGE CODE DRAWING NO
2 PLC ±0.20		WEIGHT	RESTRICTED TO
3 PLC ±		CUSTOMER DRAWING	A200779C=1932854
4 PLC ±		SCALE	6:1
ANGLES FINISH ±3°		SHEET	2 of 2
		REV	A

Mouser Electronics

Authorized Distributor

Click to View Pricing, Inventory, Delivery & Lifecycle Information:

[TE Connectivity:](#)

[1932854-1](#)