

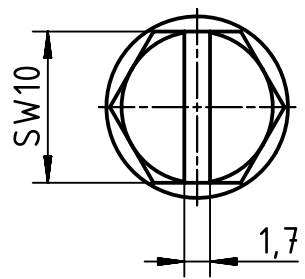
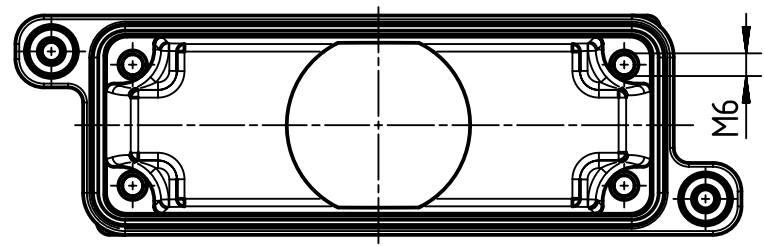
1 2 3 4 5 6

A

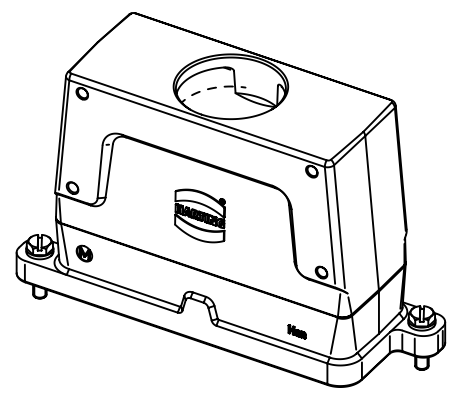
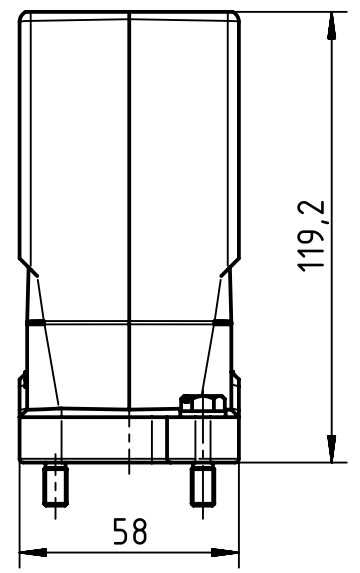
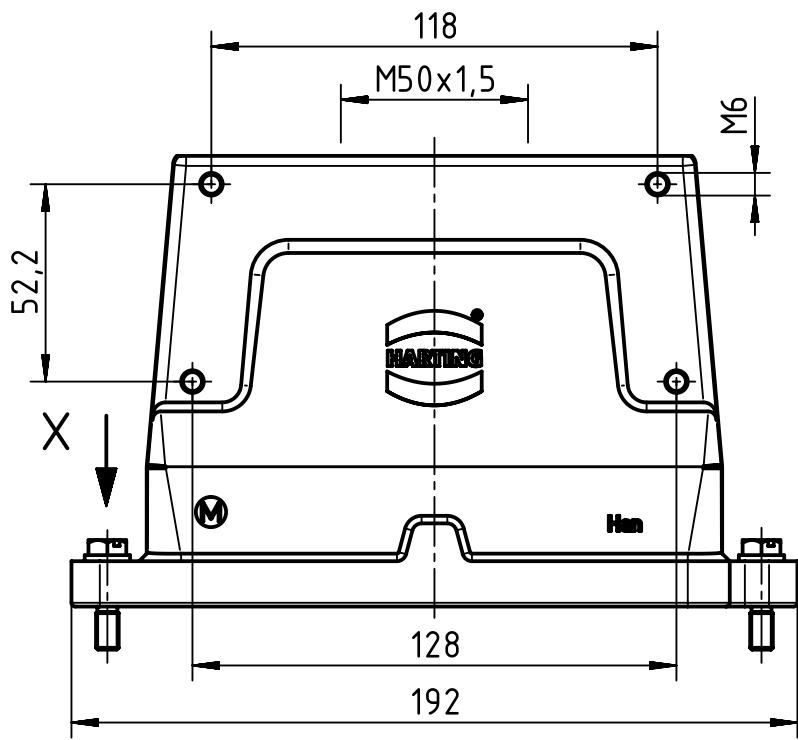
B

C

D



X (2:1)



All Dimensions in mm Original Size DIN A4		Scale 1:2	Free size tol.		Ref.
All rights reserved Department EL PD - DE		Created by RULLKOETTER	Inspected by SCHNIEDER	Standardisation TIEMANNA	Sub.
HARTING Electric GmbH & Co. KG D-32339 Espelkamp		Title Han 24HPR-enlarged-HTE-SL-M50			Date 2015-06-18
		Type TB	Number 19 40 024 0469		State Final Release
					Doc-Key / ECM-Nr. 100221324/UGD/004/B 500000090454
					Rev. B
					Page 1/1