


VC-AL-T4-Z-M25/M20-S

Order No.: 1583746

<http://eshop.phoenixcontact.de/phoenix/treeViewClick.do?UID=1583746>

Aluminum die-cast sleeve housing, with grommet, locking screws with cylinder head, for two metric cable glands M25 and M20, angled cable outlet, type VC4

Commercial data	
GTIN (EAN)	 4 046356 183376
Note	Made-to-order
sales group	D201
Pack	5 pcs.
Customs tariff	85369010
Catalog page information	Page 365 (PC-2009)

Product notes

WEEE/RoHS-compliant since:
02/12/2008

<http://www.download.phoenixcontact.com>
Please note that the data given here has been taken from the online catalog. For comprehensive information and data, please refer to the user documentation. The General Terms and Conditions of Use apply to Internet downloads.

Technical data	
General data	
Note	When using fiber optics, the bending radii of the cable manufacturers must be observed.
Design	VC4
Color	gray aluminum

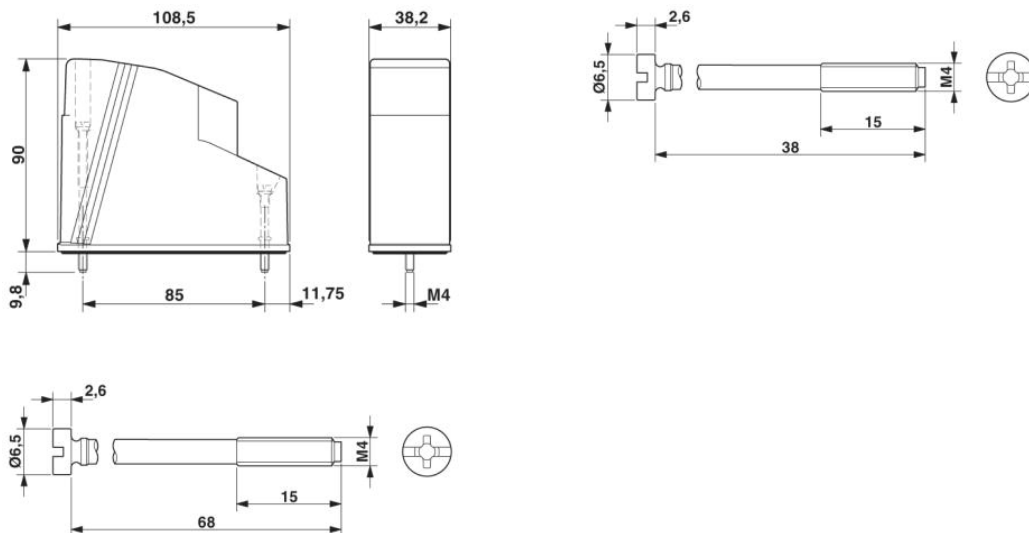
Locking type	Screw locking, cylinder head
Fixing screws	M4
No. of cable exits	2
Cable exit	Angled
Type of the screw connection	M25/M20 x 1.5
Pg screw connection	None
Degree of protection	IP65/IP68/IP69K
Ambient temperature (operation)	-40 °C ... 125 °C
Housing material	Aluminum, die-cast
Seal material	NBR, conductive
Material of locking screw	V2A
Inflammability class acc. to UL 94	V0

Accessories

Item	Designation	Description
General		
0806628	GPE 22X22 SR/R	Plastic label sheet, self-adhesive double-layer plastic labels, with rounded edges, radius 2 mm, material thickness: 0.8 mm, suitable for plotting and engraving, color: silver

Diagrams/Drawings

Dimensioned drawing



Address

PHOENIX CONTACT Inc., USA
586 Fulling Mill Road
Middletown, PA 17057, USA
Phone (800) 888-7388
Fax (717) 944-1625
<http://www.phoenixcon.com>



© 2010 Phoenix Contact
Technical modifications reserved;