


HC-MOD-K-TMS-M1M20-G-PE

Order No.: 1408520



<http://eshop.phoenixcontact.de/phoenix/treeViewClick.do?UID=1408520>

Plastic sleeve housing for modules for a module slot, with PE marking for pos. 1, with snap locking

Commercial data	
GTIN (EAN)	4 046356 619264 
sales group	D049
Pack	2 pcs.
Customs tariff	85389099
Catalog page information	Page 554 (PC-2011)

Product notes

WEEE/RoHS-compliant since:
09/01/2010



<http://www.download.phoenixcontact.com>
Please note that the data given here has been taken from the online catalog. For comprehensive information and data, please refer to the user documentation. The General Terms and Conditions of Use apply to Internet downloads.

Technical data

General data	
Height	77.9 mm
Width	26.5 mm
Length	60 mm
Color	light gray
Locking type	Clip locking

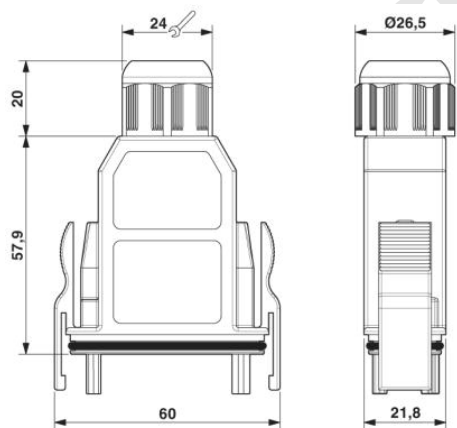
No. of cable exits	1
Cable exit	Straight
Pg screw connection	With
Type of the screw connection	1x M20
External cable diameter	6 mm ... 13 mm
Degree of protection for housing	IP65 protection when the connector is inserted
Ambient temperature (operation)	-40 °C ... 85 °C
Housing material	polycarbonate
Cable gland material	Polyamide
Cable seal material	NBR
Inflammability class according to UL 94	V0
Assembly instructions	For housing with PE marking, pos. 1 of the module is used as PE

Accessories

Item	Designation	Description
General		
1408562	HC-MOD-K-CP	Coding profile for HC-MOD-K... housing

Diagrams/Drawings

Dimensioned drawing



Dimensional drawing

Address

PHOENIX CONTACT Inc., USA
586 Fulling Mill Road
Middletown, PA 17057, USA
Phone (800) 888-7388
Fax (717) 944-1625
<http://www.phoenixcon.com>



© 2012 Phoenix Contact
Technical modifications reserved;

onlinecomponents.com