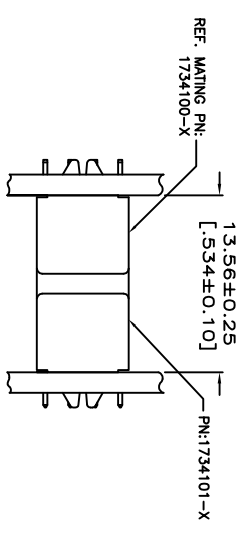
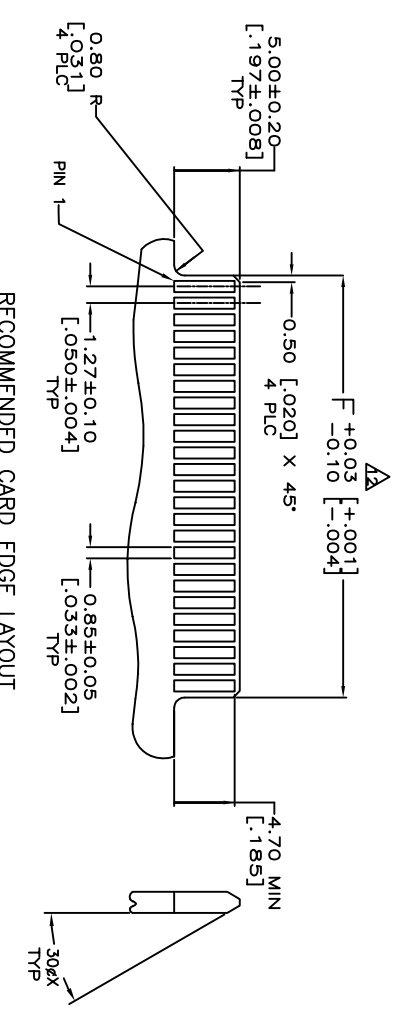
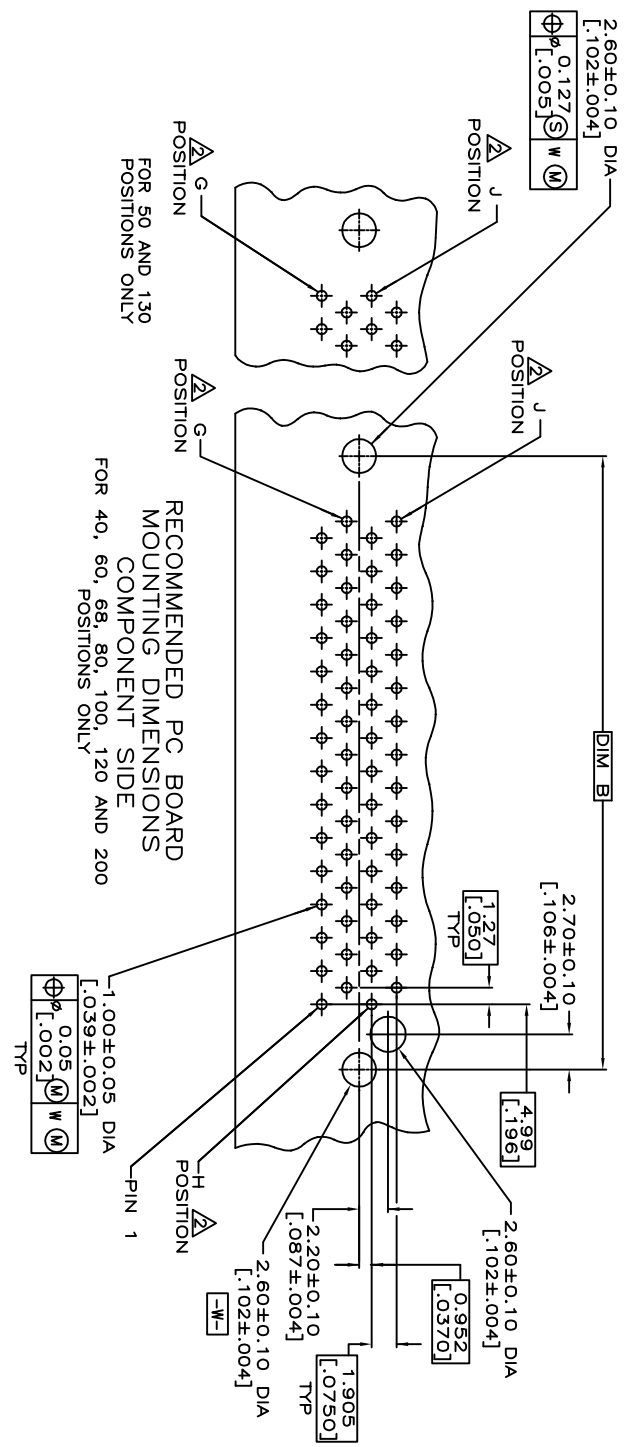
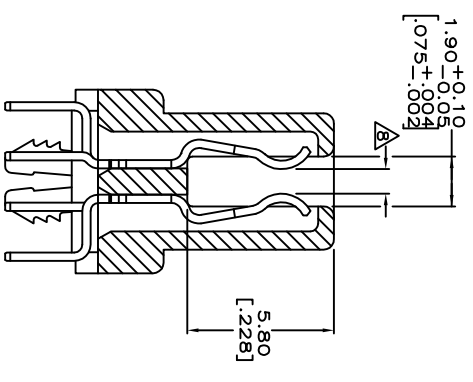




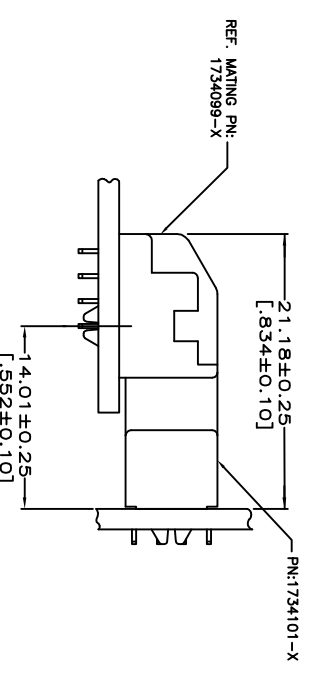
LOC	DIST	REVISIONS	DATE	DWN	APVD
DW					
P	LTR	DESCRIPTION			
		SEE SHEET 1.			



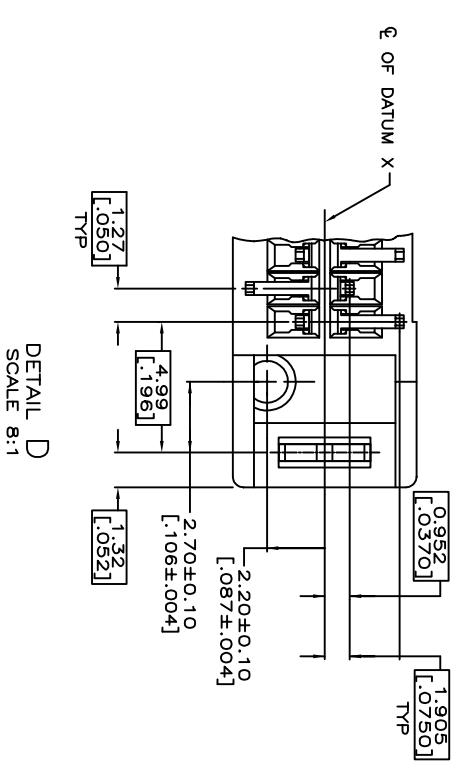
VERTICAL RECEPTACLE ASSEMBLY MATED TO VERTICAL PLUG ASSEMBLY



SECTION E-E SCALE 8:1



VERTICAL RECEPTACLE ASSEMBLY MATED TO VERTICAL PLUG ASSEMBLY



DETAIL D SCALE 8:1

THIS DRAWING IS A CONTROLLED DOCUMENT.		DWN		NAME	
DIMENSIONS: MM		CHK		STE TE Connectivity	
TOLERANCES UNLESS OTHERWISE SPECIFIED:		APVD		RECEPTACLE ASSEMBLY, VERTICAL, BOARD-TO-BOARD, CHAMP.050, SERIES 1,	
0 PLC	±	PRODUCT SPEC		SIZE	
1 PLC	±	QUALIFICATION TEST REPORT		A3 00779	
2 PLC	±	WEIGHT		DRAWING NO	
3 PLC	±	CUSTOMER DRAWING		G=1734101	
4 PLC	±			SCALE	
ANGLES	±			SHEET	
	±			2 OF 4	
	±			REV	
	±			E2	

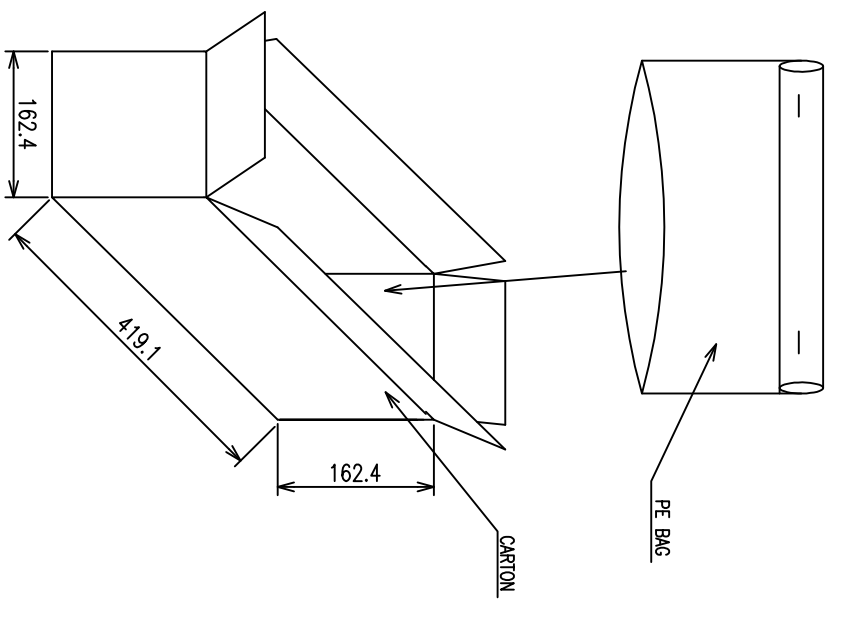
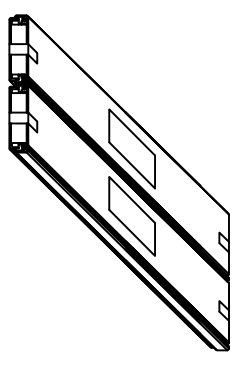
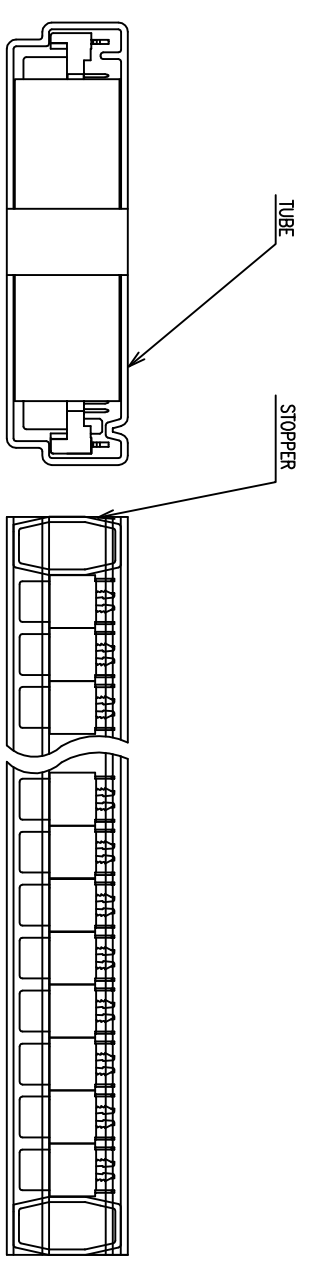
THIS DRAWING IS UNPUBLISHED.  
 © COPYRIGHT - BY TYCO ELECTRONICS CORPORATION. ALL RIGHTS RESERVED.

RELEASED FOR PUBLICATION  
 AUG. 2006.

Loc DW  
 DIST

REVISIONS

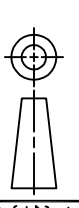
P	LTR	DESCRIPTION	DATE	DWN	APVD
		SEE SHEET 1.			



DESCRIPTION	G.W./CARTON (KG)	N.W./CARTON (KG)	PCS/TUBE	TUBES/CARTON	QUANTITY/CARTON (PCS)	PART NUMBER	POS.
OBSOLETE	4.21	2.89	54	8	432	5-1734101-3	
						3-1734101-3	
						1-1734101-3	120
						5-1734101-2	
						3-1734101-2	
						1-1734101-2	
OBSOLETE	6.84	4.92	54	16	864	5-1734101-1	
						3-1734101-1	
						1-1734101-1	100
						5-1734101-0	
						3-1734101-0	
						1-1734101-0	
OBSOLETE	5.61	4.06	54	16	864	5-1734101-8	
						3-1734101-8	
						1-1734101-8	80
						4-1734101-8	
						6-1734101-8	
						1734101-8	
						4-1734101-7	
						6-1734101-7	68
						1734101-7	
						7-1734101-7	
						4-1734101-7	
						6-1734101-6	
						1734101-6	60
						2-1734101-6	
						1734101-6	
						2-1734101-7	
						5-1734101-7	
						3-1734101-7	
						1-1734101-7	50
						4-1734101-5	
						6-1734101-5	
						1734101-5	
						4-1734101-4	
						6-1734101-4	40
						1734101-4	
						4-1734101-3	
						6-1734101-3	30
						1734101-3	
						2-1734101-3	

THIS DRAWING IS A CONTROLLED DOCUMENT.

DIMENSIONS:	TOLERANCES UNLESS OTHERWISE SPECIFIED:
MM	0 PLC ± .1
	1 PLC ± .1
	2 PLC ± .1
	3 PLC ± .1
	4. PRC ± .1
	ANGLES ± .1
	FINISH ± .1



DMN	CHK	APVD	PRODUCT SPEC	QUALIFICATION TEST REPORT	WEIGHT

**STE** TE Connectivity

RECEPTACLE ASSEMBLY,  
 VERTICAL, BOARD-TO-BOARD,  
 CHAMP.050, SERIES 1,

NAME	SIZE	CAGE CODE	DRAWING NO	RESTRICTED TO
A3	00779	1734101		

CUSTOMER DRAWING SCALE 3 OF 4 SHEET REV E2

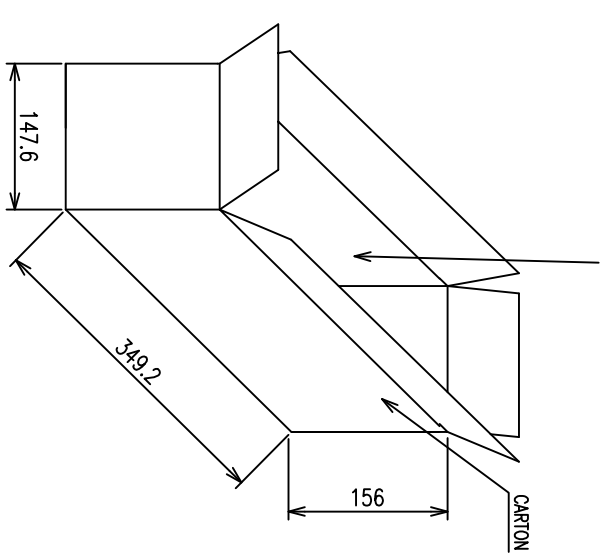
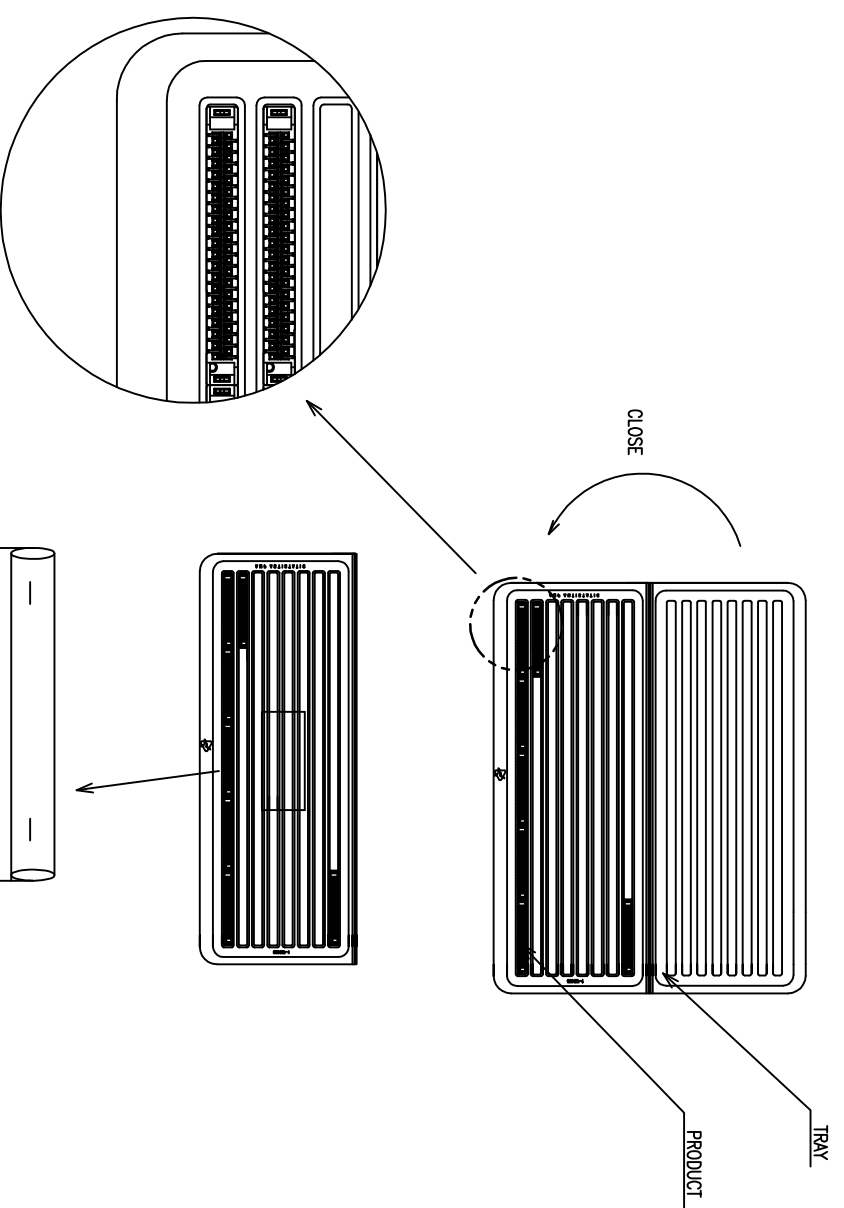
THIS DRAWING IS UNPUBLISHED.  
 © COPYRIGHT - BY TYCO ELECTRONICS CORPORATION. ALL RIGHTS RESERVED.

RELEASED FOR PUBLICATION AUG. 2006.

Loc DW DIST

REVISIONS

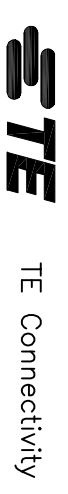
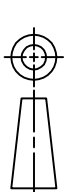
P	LTR	DESCRIPTION	DATE	DWN	APVD
		SEE SHEET 1.			



DESCRIPTION	G.W./CARTON (KG)	N.W./CARTON (KG)	PCS/TRAY	TRAYS/CARTON	QUANTITY/CARTON (PCS)	PART NUMBER	POS.
OBSOLETE	2.69	1.71	16	10	160	5-1734101-6 3-1734101-6 1-1734101-6 5-1734101-5 3-1734101-5 1-1734101-5	200
	2.37	1.39	16	10	160	5-1734101-4 3-1734101-4 1-1734101-4	160
OBSOLETE	2.48	1.50	32	10	320	4-1734101-9 6-1734101-9 1734101-9	80

THIS DRAWING IS A CONTROLLED DOCUMENT.

DIMENSIONS:	TOLERANCES UNLESS OTHERWISE SPECIFIED:
MM	0 PLC ± .1
	1 PLC ± .1
	2 PLC ± .1
	3 PLC ± .1
	4. PRC ± .1
	ANGLES ± .1
MATERIAL	



RECEPTACLE ASSEMBLY,  
 VERTICAL, BOARD-TO-BOARD,  
 CHAMP.050, SERIES 1,

DWN	CHK	APVD	NAME	SIZE	CAGE CODE	DRAWING NO	RESTRICTED TO
				A3	00779	1734101	
			PRODUCT SPEC	WEIGHT			
			QUALIFICATION TEST REPORT				
			CUSTOMER DRAWING	SCALE			

# Mouser Electronics

Authorized Distributor

Click to View Pricing, Inventory, Delivery & Lifecycle Information:

[TE Connectivity:](#)

[1-1734101-5](#)