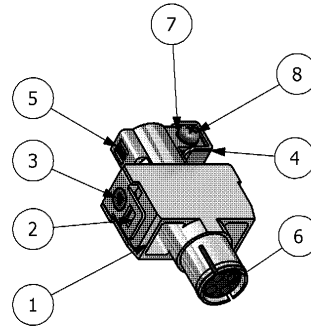
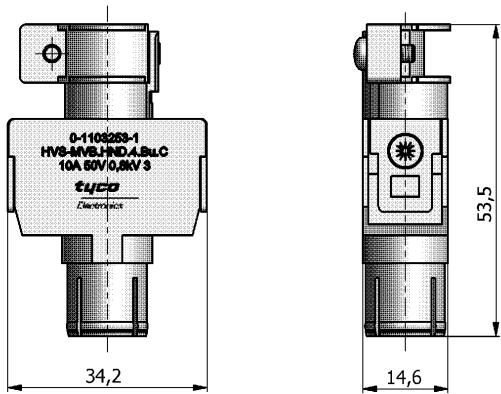


THIS DRAWING IS UNPUBLISHED VERTRÄULICHE UNVERÖFFENTLICHE ZEICHNUNG		RELEASE FOR PUBLICATION FREI FÜR VERÖFFENTLICHUNG		J2000		MATED WITH: PASSEND ZU:		REVISONS ÄNDERUNGEN							
COPYRIGHT 2000		BY AMP INCORPORATED		ALL RIGHTS RESERVED ALLE RECHTE VORBEHALTEN		PROJECT NR. EGGMN04410		LOC AI	DIST -	P	LTR	DESCRIPTION BESCHREIBUNG	DATE	DWN	APVD
								A2				MARKING FOR CODING ADDED ECR-06-022352	08.09.2006	SR	AG

Print Image

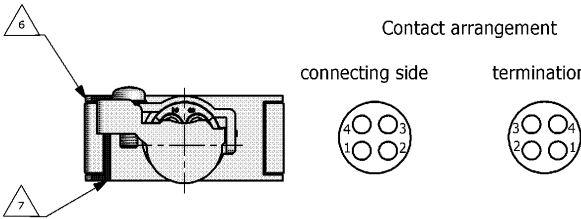


**NOTES**

- 1 SUITABLE CRIMP CONTACTS: SERIES HN.D  
CUSTOMER DRAWING: 1105051  
OUTER DIMENSIONS OF INSULATION: MAX. Ø4 MM
- 2 SUITABLE MODULE FIXING FRAME: SERIES HVS SIZE 3 TO 8  
CUSTOMER DRAWING: 1103250
- 3 SUITABLE INSERTION TOOL:  
CUSTOMER DRAWING: 1102855
- 4 SUITABLE EXTRACTION TOOL:  
CUSTOMER DRAWING: 1102855
- 5 STANDARDS:  
DIN EN 61984; DIN EN 60664-1
- 6 POLARIZATION RIPS
- 7 MARKING OF POLARIZATION ACCORDING MARKING OF  
MODULE FRAME
- 8 PACKAGING:  
10 SETS IN A CARTON, PRE-MOUNTED

**Contact arrangement**

connecting side      termination side



QTY.	DESCRIPTION	MATERIAL	SURFACE	COLOR	NOTE	ITEM
1	SCREW	STEEL	-	-	ISO 7045 A2	8
1	SPRING WASHER, A3	STEEL	ZINC PLATED	-	DIN 137	7
1	CONTACT INSERT FEMALE	PA6.6-GF25	-	BLACK	-	6
1	CLOSING 3-6 MM	ZINC	-	-	-	5
1	CLOSING 6-9 MM	ZINC	-	-	-	4
2	COUNTER SUNK SCREW	Standard	-	-	-	3
2	MOUNTING PLATE	ZINC	-	-	-	2
1	FEMALE INSERT	ZINC	---	----	NOTE	1

PN 0-1 AS SHOWN		PARTS LIST	
<small>THIS DRAWING IS A CONTROLLED DOCUMENT FOR AMP INCORPORATED. IT IS SUBJECT TO CHANGE WITHOUT NOTICE AND WITHOUT NOTICE. ORGANIZATION SHOULD BE CONTACTED FOR THE LATEST REVISION. OTHER REVISIONS, MODIFICATIONS AND/OR AMENDMENTS TO THIS DRAWING ARE SUBJECT TO THE APPROVAL OF THE ORIGINAL DESIGNER. THE USER IS RESPONSIBLE FOR THE CORRECT INFORMATION OF THE USER. THE USER IS RESPONSIBLE FOR THE CORRECT INFORMATION OF THE USER. THE USER IS RESPONSIBLE FOR THE CORRECT INFORMATION OF THE USER.</small>		DWN SCHNEIDER 16.02.2006	Tyco / Electronics AMP GmbH D - 53819 Neunkirchen
<small>DIMENSIONS: DIMENSIONEN: mm</small>		CTK A.GAST 16.03.2006	NAME FEMALE INSERT HVS-MVB.4.BU.C
<small>TOLERANCES UNLESS OTHERWISE SPECIFIED: ALLGEMEINTOLERANZEN</small>		APVD T.SCHNURPFEL 16.03.2006	PRODUCT SPEC. 108-74079
<small>ISO 2768 - mH-E P. ISO 2768 - mH-E M. DIN 16901 - 140</small>		APPLICATION SPEC. 114-74080	RESTRICTED TO MIL FÜR
<small>0 P.C. 1 P.C. 2 P.C. 3 P.C. 4 P.C. ANGLES / WINKEL</small>		WEIGHT GEWICHT 0,035 KG	SIZE A3
<small>MATERIAL</small>		CAGE CODE 00779	DRAWING NO. 1103253
<small>FINISH / OBERFLÄCHE / FARBE</small>		<small>CUSTOMER DRAWING / KUNDENZEICHNUNG</small>	
		SCALE MASSSTAB 1:1	SHEET BLATT 1 OF VON 1 REV. A2