

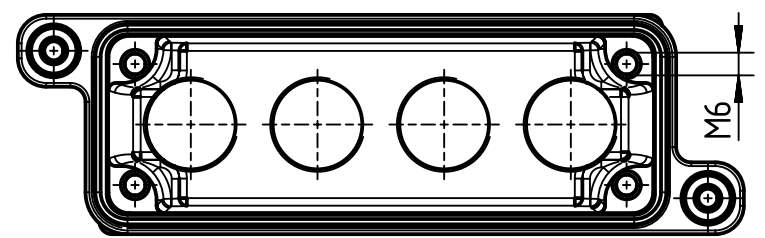
1 2 3 4 5 6

A

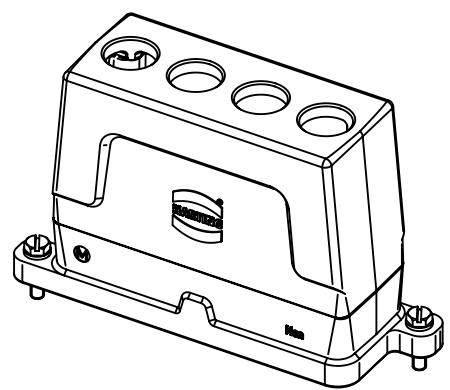
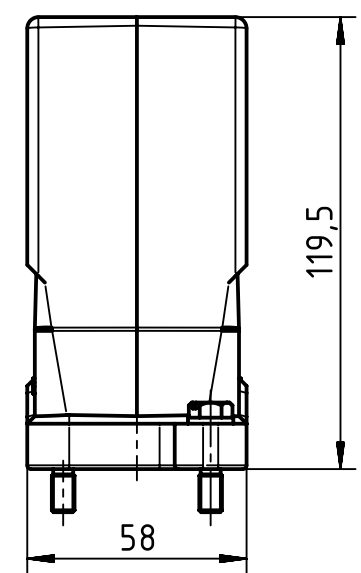
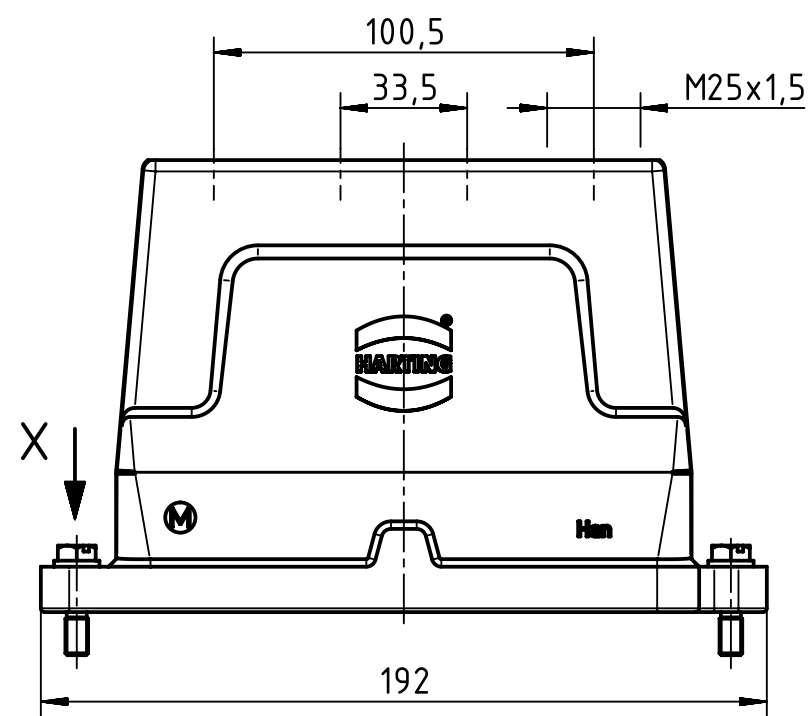
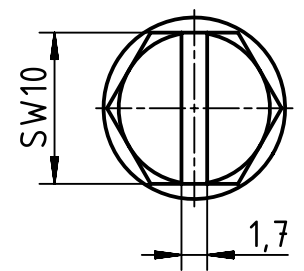
B


C

D



X (2:1)



	All Dimensions in mm Original Size DIN A4		Scale 1:2	Free size tol.		Ref.	
	All rights reserved Department EL PD - DE		Created by RULLKOETTER	Inspected by SCHNIEDER	Standardisation RUETERA	Date 2014-10-14	State Final Release
HARTING Electric GmbH & Co. KG D-32339 Espelkamp			Title Han 24HPR-gg4-SV-M25			Doc-Key / ECM-Nr. 100221333/UGD/004/A 500000080552	
			Type TB	Number 19 40 024 0478		Rev. A	Page 1/1