


# HC-B 24-A-DT-PER-M

Order No.: 1648500

<http://eshop.phoenixcontact.de/phoenix/treeViewClick.do?UID=1648500>

HEAVYCON terminal adapter male insert, B24 series, 24-pos., left PE connection for the right side of the control cabinet, Push-In connection

## Commercial data

GTIN (EAN)	 4 046356 092227
sales group	D004
Pack	5 pcs.
Customs tariff	85366990
Catalog page information	Page 559 (PC-2011)

## Product notes

WEEE/RoHS-compliant since:  
09/05/2005



<http://www.download.phoenixcontact.com>  
Please note that the data given here has been taken from the online catalog. For comprehensive information and data, please refer to the user documentation. The General Terms and Conditions of Use apply to Internet downloads.

## Technical data

### Electrical characteristics

Note	For HEAVYCON-ADVANCE mounting flange and HEAVYCON panel mounting base of B24 type
Number of positions	24
Rated voltage (III/3)	500 V
Rated surge voltage	6 kV

Rated current	16 A
<b>Mechanical characteristics</b>	
Design	B24
Connection method	Push-in connection
Stripping length of the individual wire	10 mm (13 mm if ferrules are used)
Conductor cross-section	0.5 mm <sup>2</sup> ... 2.5 mm <sup>2</sup>
Connection cross-section AWG	22 ... 12
<b>General characteristics</b>	
Contact material	Copper alloy
Contact surface material	Ag
Contact carrier material	PA
Terminal adapter width	90.5 mm
Height	34 mm
Pollution degree	3
Surge voltage category	III
Inflammability class acc. to UL 94	V0
Ambient temperature (operation)	-40 °C ... 125 °C
Assembly instructions	1) Insert ferrules. 0.5 mm <sup>2</sup> ... 2.5 mm <sup>2</sup> with insulating collar, length 10 mm, stripping length 13 mm, 2) Screwdriver SZF0-0,4x2,5 (similar to DIN 5264)
Installation instructions	Connectors may be plugged in only when there is no load/voltage.

#### Certificates / Approvals



Certification

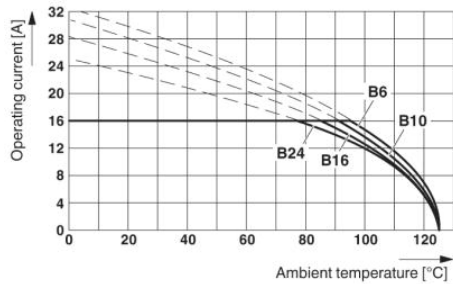
CSA, CUL, UL

### Accessories

Item	Designation	Description
<b>Assembly</b>		
1775240	HC-KA-FE	Foot element, for mounting on DIN rail NS 32, DIN rail NS 35/7.5 or DIN rail NS 35/15, can be inserted between basic and side element
1660083	HC-VSH	Locking screw barrel, for a firm connection of contact inserts and DIN-rail mountable terminal adapters
<b>General</b>		
1644326	HC-B-3PE	PE multiplier, for three PE connections, for HC-B (besides HC-B..E..ZZ) / HC-BB / HC-DD / HC-D40 / HC-D64 contact inserts
1604997	HC-B-PES	PE screw, for contact inserts HC-B / HC-BB / HC-DD / HC-D40 / HC-D64
1772722	HC-CB	Coding pin, prevents mismatching of up to six plug connectors with an identical number of positions
1676860	HC-CBU	Keying socket for coding up to 16 plug connectors
1676857	HC-CST	Keying peg for coding up to 16 plug connectors
0810779	ZBF-U:SO/CMS	Zack marker strips off the roll, flat, printed according to customer requirements
<b>Marking</b>		
0828525	ZBF-U CUS	Terminal block marking, can be labeled as per customer specifications
<b>Plug/Adapter</b>		
1686478	CP-HC	Keying profile, 4-section, for pushing into the keying grooves
<b>Tools</b>		
1204504	SZF 0-0,4X2,5	Actuation tool, for ST terminal blocks, also suitable for use as a bladed screwdriver, size: 0.4 x 2.5 x 75 mm, 2-component grip, with non-slip grip

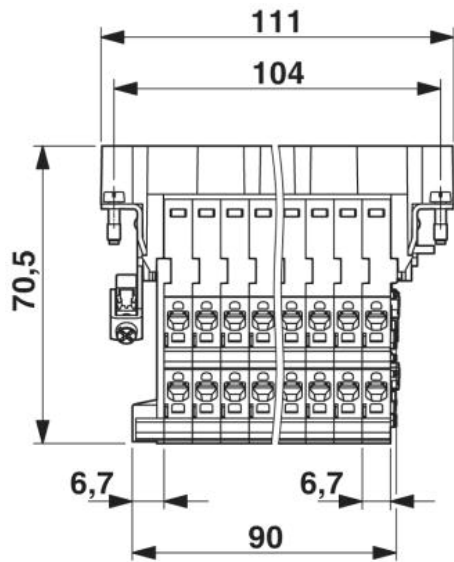
**Diagrams/Drawings**

Diagram

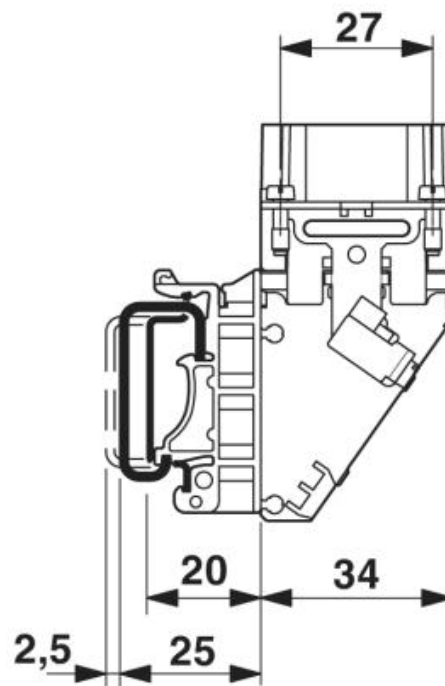


Derating diagram

Dimensioned drawing



Dimensional drawing



Dimensional drawing, side view

**Address**

PHOENIX CONTACT Inc., USA  
586 Fulling Mill Road  
Middletown, PA 17057, USA  
Phone (800) 888-7388  
Fax (717) 944-1625  
<http://www.phoenixcon.com>



© 2011 Phoenix Contact  
Technical modifications reserved;