

4

3

2

1

THIS DRAWING IS UNPUBLISHED  
VERTRAULICHE UNVERÖFFENTLICHE ZEICHNUNG

RELEASE FOR PUBLIKATION  
FREI FUER VERÖFFENTLICHUNG

MATED WITH:  
PASSEND ZU:

LOC

DIST

REVISIONS  
ÄNDERUNGEN

© COPYRIGHT 2000

BY AMP INCORPORATED

ALL RIGHTS RESERVED  
ALLE RECHTE VORBEHALTEN

BG5

AI

-

P

LTR

DESCRIPTION  
BESCHREIBUNG

DATE

DWN

APVD

PROJEKT NR.  
EGGMA05416

A1

NEW DRAWN

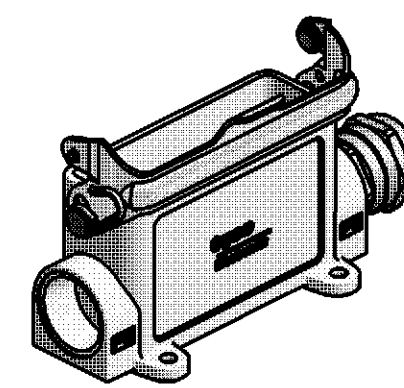
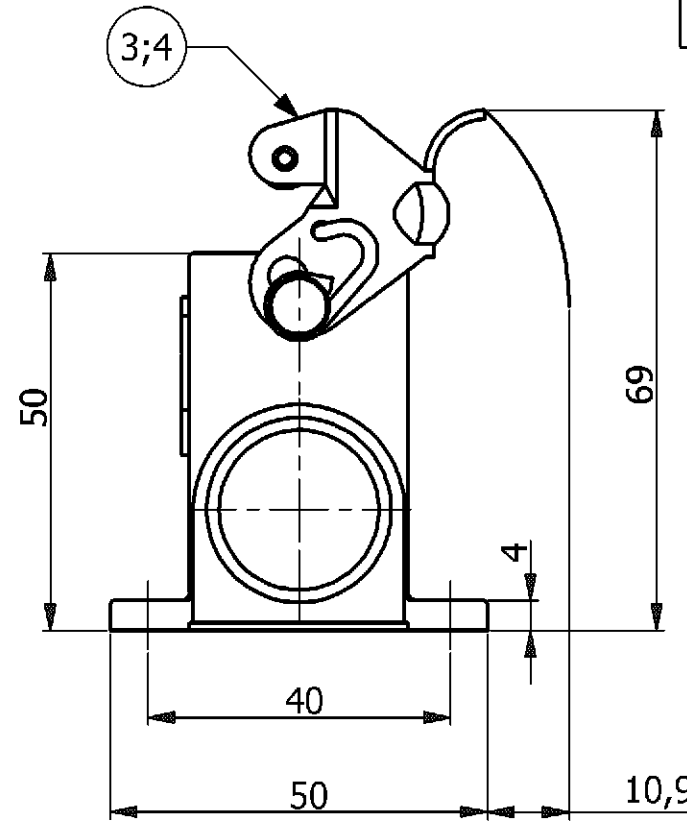
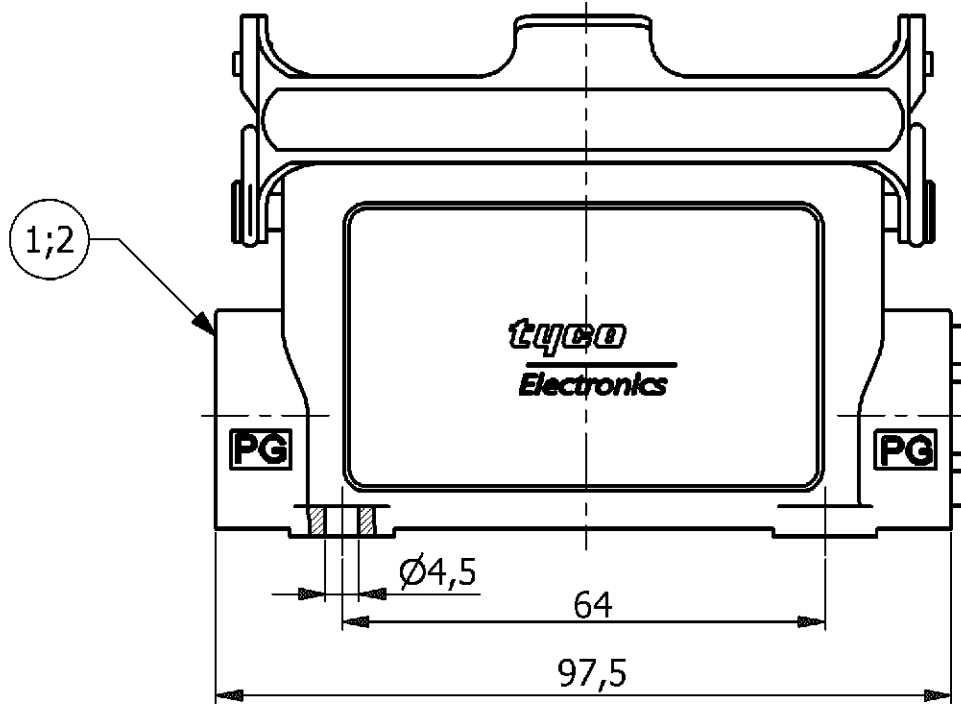
3/10/2006

PB

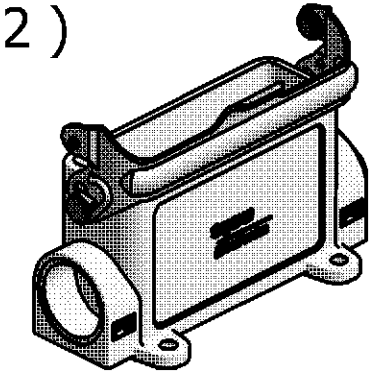
ST

### NOTES

- 1 PACKAGING QUANTITY: 5 PIECES PER BOX
- 2 MATERIAL: HOUSING: ALUMINIUM DIECASTING ALLOY
- 3 FINISH: POWDER COATED OR CORROSION PROTECTION
- 4 VARNISH ON THE INSIDE NOT NECESSARY



(1:2)



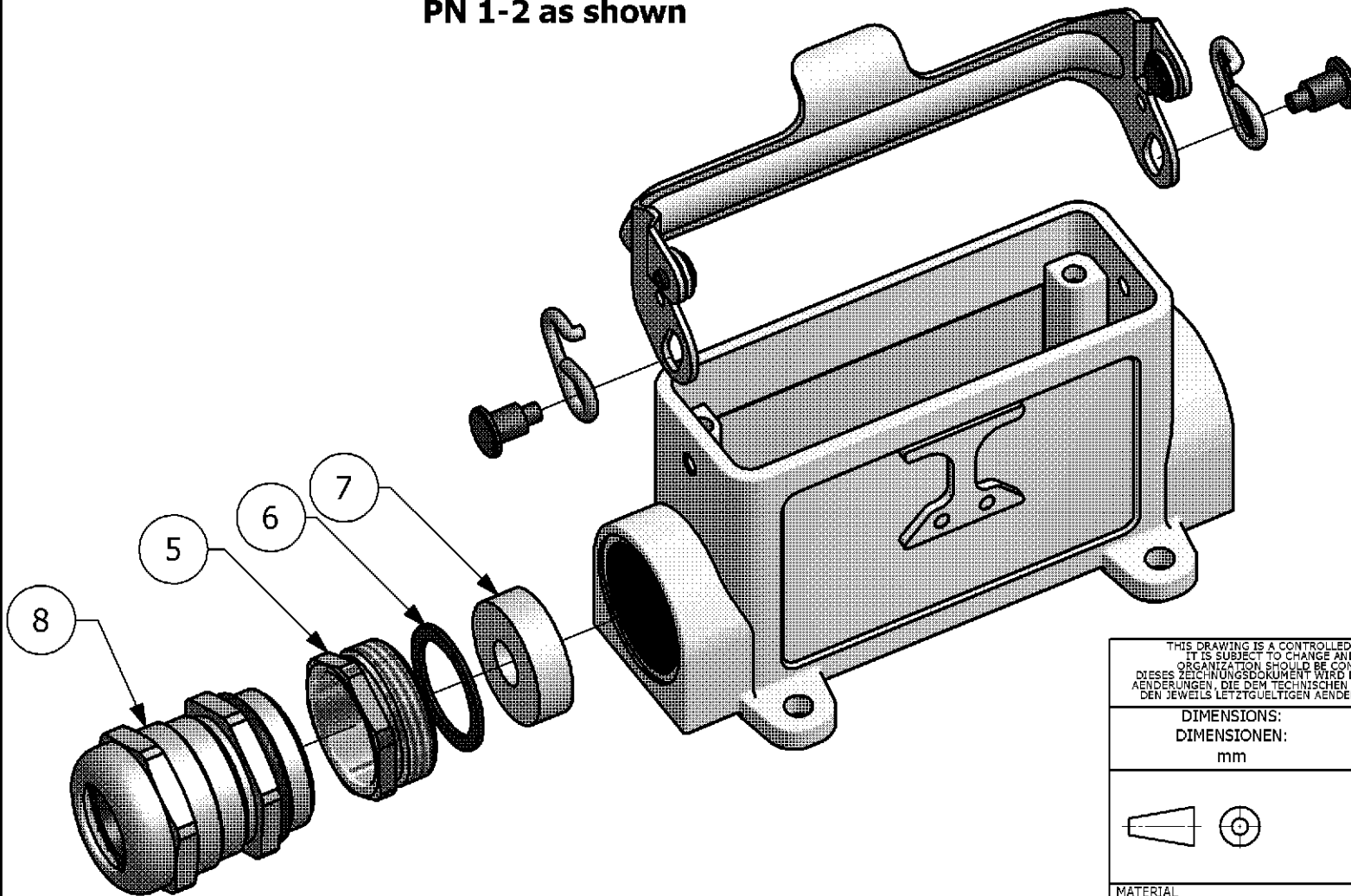
PN 1-2 as shown

PN 2-2

PN 1-2

Ordering Text  
HA-K.16.SG-LB.2.16

Ordering Text  
HA.16.SG-LB.2.16



1	2	3	3				
1	-	Cable Fitting	Brass	Nickel Plated	Blue	8	-
-	1	Pressing Ring	Neoprene	-	Black	7	-
-	1	Close Ring	Steel	Zinc Plated	Blue	6	-
-	1	Pressing Screw	Brass	Nickel Plated	Blue	5	-
1	-	Side Clip	V2A/ Steel	Zinc Plated	Blue	4	-
-	1	Side Clip	Steel	-	-	3	-
1	-	Surface Mounted Housing HA.16	Aluminium	Aluminium Oxide	Grey	2	-
-	1	Surface Mounted Housing HA.16	Aluminium	-	Grey	1	-
2-2	1-2	DESCRIPTION	MATERIAL	SURFACE	COLOR	ITEM	REMARKS

### PART LIST

THIS DRAWING IS A CONTROLLED DOCUMENT FOR AMP INCORPORATED. IT IS SUBJECT TO CHANGE AND THE CONTROLLING ENGINEERING ORGANIZATION SHOULD BE CONTACTED FOR THE LATEST REVISION. DIESSES ZEICHNUNGSDOKUMENT WIRD DURCH AMP INCORPORATED KONTROLLIERT. ÄNDERUNGEN, DIE DEM TECHNISCHEN FORTSCHRITT DIENEIN, SIND VORBEHALTEN. DEN JEWELIGS LETZTGÜLTIGEN ÄNDERUNGSSTAND ERFAHREN SIE AUF ANFRAGE.		DWN	P.BENNUR	3/10/2006		Tyco / Electronics AMP GmbH D - 53819 Neunkirchen
DIMENSIONS: DIMENSIONEN: mm		CHK	R.SRINIVAS	3/10/2006		
TOLERANCES UNLESS OTHERWISE SPECIFIED: ALLGEMEINTOLERANZEN		APVD	T.SCHNURPFEIL	3/10/2006	SURFACE MOUNTED HOUSING HA.16.SG-LB.1.16	
n. ISO 8015 - mH-E n. ISO 2768 - 140 n. DIN 16901-		PRODUCT SPEC. PRODUKTSPEZ.			SIZE	RESTRICTED TO NUR FUER
0 PLC # 1 PLC # 2 PLC # 3 PLC # ANGLES / WINKEL #		APPLICATION SPEC. VERARBEITUNGSSPEZ.			CAGE CODE	
MATERIAL		WEIGHT GEWICHT			DRAWING NO. ZEICHNUNGS-NR.	1102142
FINISH / OBERFLÄECHE / FARBE		CUSTOMER DRAWING / KUNDENZEICHNUNG		SCALE MASSSTAB	1:1	SHEET BLATT
2		3		OF VON	1	REV. A1

# Mouser Electronics

Authorized Distributor

Click to View Pricing, Inventory, Delivery & Lifecycle Information:

[TE Connectivity:](#)

[1-1102142-2](#)