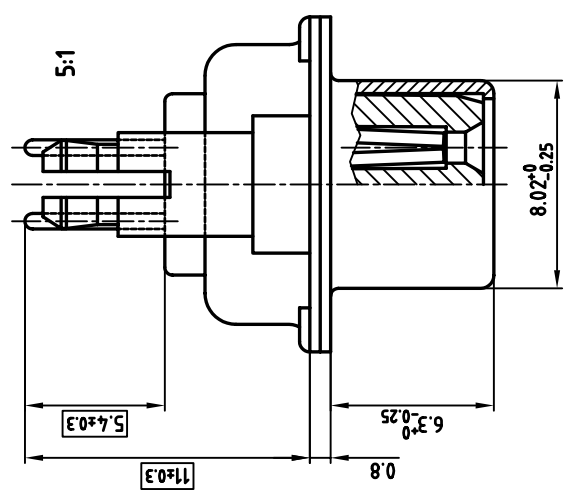


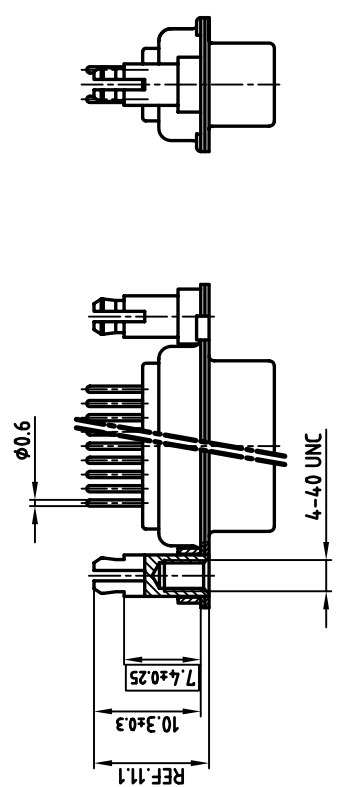
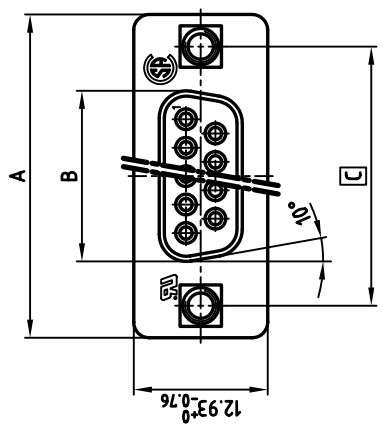
used for: D-SUB



NOTES:

1. METALSHELLS: STEEL; min. 320µ" TIN
2. INSULATORS: PBT GF UL 94 V-0, BLACK
3. CONTACTS: COPPER ALLOY
4. PLATING: min. 8µ" HARD GOLD OVER min. 50µ" NICKEL
5. THREADED SPACER CLIP: COPPER ALLOY; min. 200µ" TIN over 80µ" NICKEL
PCB-HOLE: $\phi 3.1 \pm 0.1$; PCB THICKNESS 1.6mm
6. COLLAR: COPPER ALLOY; min. 200µ" TIN over 80µ" NICKEL
7. P.C.B. HOLE DRILLINGS ON DRAWING NO.: 16K1111UA
8. MAXIMUM TORQUE VALUE FOR THREAD: 6" LBS
9. = CRITICAL DIMENSION: SPC

Directive 2002/95/EC
RoHS
Compliant



THIS DRAWING MAY NOT BE COPIED OR REPRODUCED IN ANY WAY, AND MAY NOT BE PASSED ON TO A THIRD PARTY WITHOUT WRITTEN PERMISSION.
OWNERSHIP AND COPYRIGHT OF CONEC GMBH
DO NOT ALTER CAD DRAWING BY HAND

POS.	A -0.76	B -0.25	C	Part NO.
9	31.19	16.46	25.00 $^{+0.13}_{-0.13}$	164A16569X
15	39.52	24.79	33.30 $^{+0.15}_{-0.15}$	164A16579X
25	53.42	38.50	47.04 $^{+0.13}_{-0.13}$	164A16589X
37	69.70	54.96	63.50 $^{+0.13}_{-0.13}$	164A16599X

tolerance		scale:		material:		file:	
2000	date	20.11.	20.11.	name	name	name	name
drawn	20.11.	20.11.	20.11.	Parrel	Parrel	Parrel	Parrel
appd.	20.11.	20.11.	20.11.	Schrader	Schrader	Schrader	Schrader
norm	DIN 41652						
6-old							
rev. description		date		name		dwg no:	
						AutoCAD 2000	
						DIN-A	
						3	
						sh: 1/1	
						16K1A370A	
						product no:	
						SEE TABLE	

D-SUB FEMALE
9-37pos. PIN VERSION
with threaded spacer clip



1 2 3 4 5 6 7 8