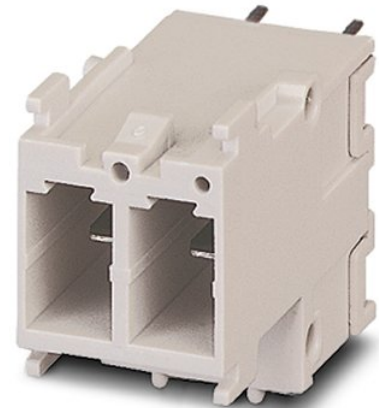



VC-AMLV 2

Order No.: 1884979

<http://eshop.phoenixcontact.de/phoenix/treeViewClick.do?UID=1884979>Contact insert module, for panel mounting frames, with 180° PCB
connection, 2-pos., 400 V / 20 A**Commercial data**

GTIN (EAN)	 4 017918 170790
sales group	D231
Pack	50 pcs.
Customs tariff	85369010
Catalog page information	Page 457 (PC-2011)

Product notesWEEE/RoHS-compliant since:
01/01/2005

<http://www.download.phoenixcontact.com>
Please note that the data given here has been taken from the online catalog. For comprehensive information and data, please refer to the user documentation. The General Terms and Conditions of Use apply to Internet downloads.

Technical data**General data**

Note	Plug connectors may only be connected/disconnected when under no load.
------	--

Connection method	Solder connection
	Solder connection
Ambient temperature (operation)	-40 °C ... 100 °C
Pollution degree	3
Surge voltage category	III
Number of positions	2
Insertion/withdrawal cycles	≥ 100
Pin dimensions	1 x 0,8 mm
Connection in acc. with standard	IEC / EN

Material data

Inflammability class acc. to UL 94	V0
Contact material	CuZn
Contact surface material	Tin-plated
Contact carrier material	PA

Electrical characteristics

Rated voltage (III/3)	400 V
Rated surge voltage	6 kV
	6 kV
Rated current	20 A

Certificates / Approvals

Certification

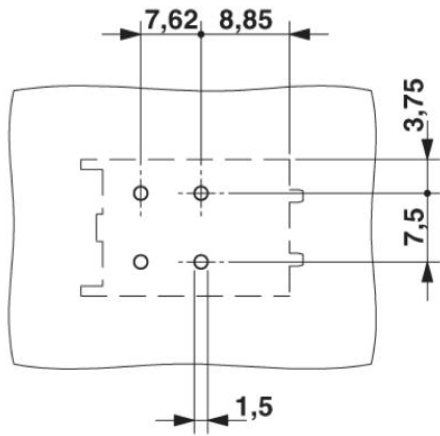
CUL, GOST, UL

Accessories

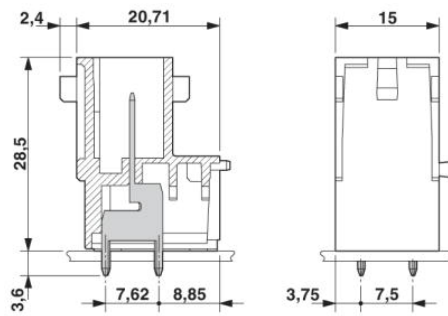
Item	Designation	Description
Plug/Adapter		
1600027	CP-HCC 4	Coding profile, Color: red

Diagrams/Drawings

Drilling plan/solder pad geometry



Dimensioned drawing



Address

PHOENIX CONTACT Deutschland GmbH
Flachmarktstr. 8
32825 Blomberg, Germany
Phone +49 5235 3 12000
Fax +49 5235 3 41200
<http://www.phoenixcontact.de>



© 2011 Phoenix Contact
Technical modifications reserved;