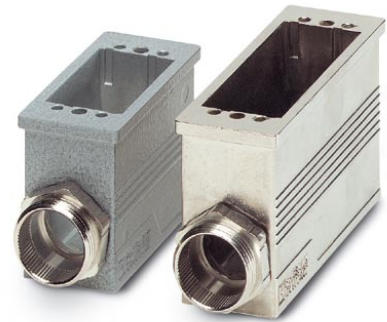


VC-MP-S3


Order No.: 1884746

The illustration shows versions, powder-coated and EMC-coated box mounting base



<http://eshop.phoenixcontact.de/phoenix/treeViewClick.do?UID=1884746>

Box mounting base, made of metal, powder-coated type 3, number of modules 4, cable screw connection Pg21

Commercial data	
GTIN (EAN)	 4 017918 164775
Note	Made-to-order
sales group	D201
Pack	5 pcs.
Customs tariff	85389099
Catalog page information	Page 461 (PC-2011)

Product notes

WEEE/RoHS-compliant since:
03/08/2006



<http://www.download.phoenixcontact.com>
Please note that the data given here has been taken from the online catalog. For comprehensive information and data, please refer to the user documentation. The General Terms and Conditions of Use apply to Internet downloads.

Technical data

General data	
Note	When using fiber optics, the bending radii of the cable manufacturers must be observed.
Design	VC3
Color	gray aluminum
Locking type	Screw locking, cylinder head
Tightening torque, mounting screw	1.5 Nm ± 0.3 Nm

Fixing screws	M4
No. of cable exits	2
Cable exit	Angled
Pg screw connection	None
Type of the screw connection	M25/M20 x 1.5
Degree of protection	IP65/IP68/IP69K
Ambient temperature (operation)	-40 °C ... 125 °C
Housing material	Aluminum, die-cast
Seal material	NBR, conductive
Material of locking screw	V2A
Inflammability class acc. to UL 94	V0

Accessories

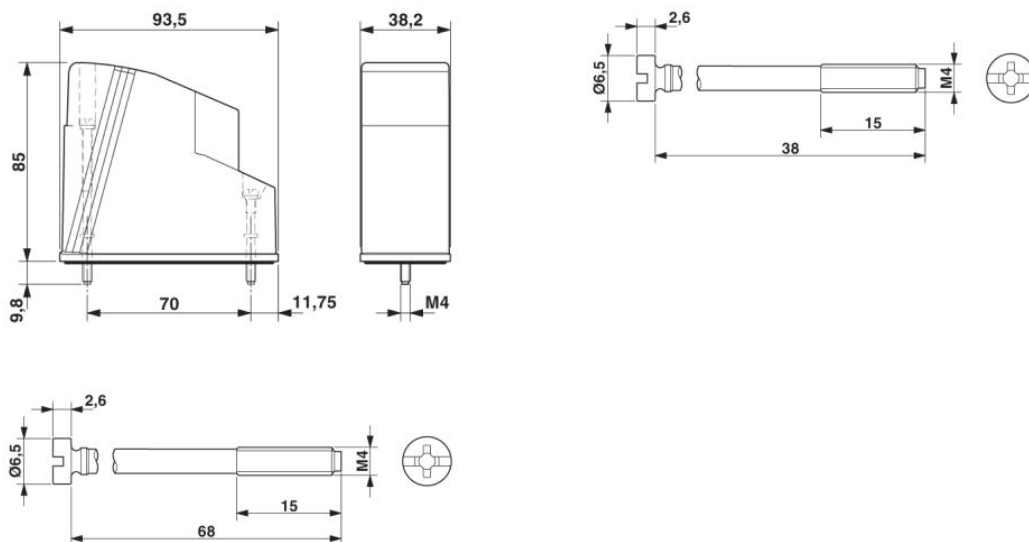
Item	Designation	Description
------	-------------	-------------

General

0806628	GPE 22X22 SR/R	Plastic label sheet, self-adhesive double-layer plastic labels, with rounded edges, radius 2 mm, material thickness: 0.8 mm, suitable for plotting and engraving, color: silver
---------	----------------	---

Diagrams/Drawings

Dimensioned drawing



VC-MP-S3 Order No.: 1884746

<http://eshop.phoenixcontact.de/phoenix/treeViewClick.do?UID=1884746>

Address

PHOENIX CONTACT Deutschland GmbH
Flachmarktstr. 8
32825 Blomberg, Germany
Phone +49 5235 3 12000
Fax +49 5235 3 41200
<http://www.phoenixcontact.de>



© 2011 Phoenix Contact
Technical modifications reserved;