


HC-B 16-TMS-100/O1STM32G-STA

Order No.: 1690202

<http://eshop.phoenixcontact.de/phoenix/treeViewClick.do?UID=1690202>

HEAVYCON ADVANCE standard powder-coated sleeve housing B16,
with screw locking, height 100 mm, with 1x M32 thread, straight cable
outlet

Commercial data

GTIN (EAN)	
sales group	D201
Pack	10 pcs.
Customs tariff	85389099
Catalog page information	Page 565 (PC-2011)

Product notes

WEEE/RoHS-compliant since:
01/31/2006



[http://
www.download.phoenixcontact.com](http://www.download.phoenixcontact.com)
Please note that the data given
here has been taken from the
online catalog. For comprehensive
information and data, please refer
to the user documentation. The
General Terms and Conditions of
Use apply to Internet downloads.

Technical data**General data**

Note	For contact inserts HC-B16, BB32, D40, DD72, HS6, HV6, M, K
Design	B16
Height	100 mm
Width	57 mm

Length	126 mm
Housing type	Sleeve housings
Locking type	Screw locking
Torque	3 Nm (Locking screw)
Fixing screws	M6
No. of cable exits	1
Cable exit	Straight
Pg screw connection	None
Type of the screw connection	1x M32
Degree of protection	IP65 / IP68 (0.2 bar, 24h) / IP69K
Ambient temperature (operation)	-40 °C ... 125 °C
Housing material	Aluminum, die-cast
Housing surface material	Powder-coated, gray
Seal material	NBR
Material lock	High-grade steel
Length of the assembly cutout	86 mm
Width of the assembly cutout	35 mm

Certificates / Approvals



Certification GOST

Accessories

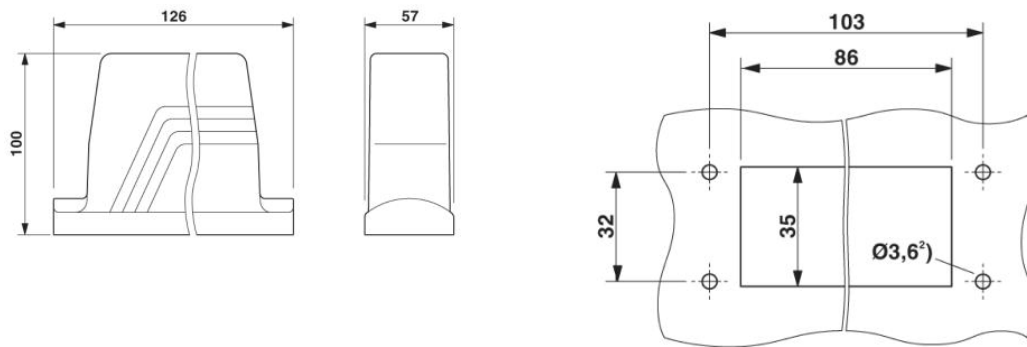
Item	Designation	Description
Assembly		
1686533	HC-B-AF	Panel mounting flange for HEAVYCON-ADVANCE TMS housing with screw locking
1604638	HC-B-AF-SET	Panel mounting flange for screw locking, set comprising 2 panel mounting flanges with 4 self-tapping Torx head screws and 4 fan-type washers

General

1690752	HC-B 16-TMS-SD-IP50	HEAVYCON ADVANCE IP50 protective cover B16, for panel mounting side, with clip locking, with retaining cord, diameter of retaining cord eyelet 3 mm
1690794	HC-B 16-TMS-SD-IP65	HEAVYCON ADVANCE IP65 protective cover B16, for panel mounting side, with screw locking, with retaining cord, diameter of retaining cord eyelet 3 mm

Diagrams/Drawings

Dimensioned drawing



Panel cutout

²⁾ When self-tapping Torx screws are used (Torx20, M4)

Address

PHOENIX CONTACT Inc., USA
586 Fulling Mill Road
Middletown, PA 17057, USA
Phone (800) 888-7388
Fax (717) 944-1625
<http://www.phoenixcon.com>



© 2011 Phoenix Contact
Technical modifications reserved;