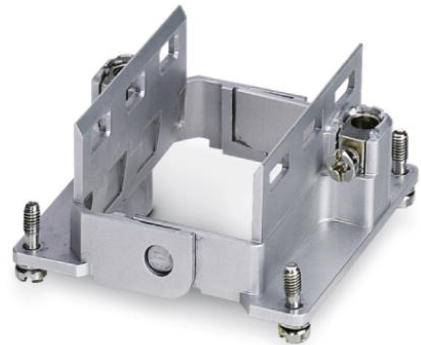


DC-B 6-MHR-A3


Order No.: 1581287



<http://eshop.phoenixcontact.de/phoenix/treeViewClick.do?UID=1581287>

Hinged retaining frame, for DUPLICON DC-B 6 panel mounting base,
for 3 contact insert modules, labeling with lower case letters (a, b, c)

Commercial data

GTIN (EAN)	
sales group	D041
Pack	10 pcs.
Customs tariff	85389099
Catalog page information	Page 490 (PC-2011)

Product notes

WEEE/RoHS-compliant since:
10/30/2008



<http://www.download.phoenixcontact.com>
Please note that the data given here has been taken from the online catalog. For comprehensive information and data, please refer to the user documentation. The General Terms and Conditions of Use apply to Internet downloads.

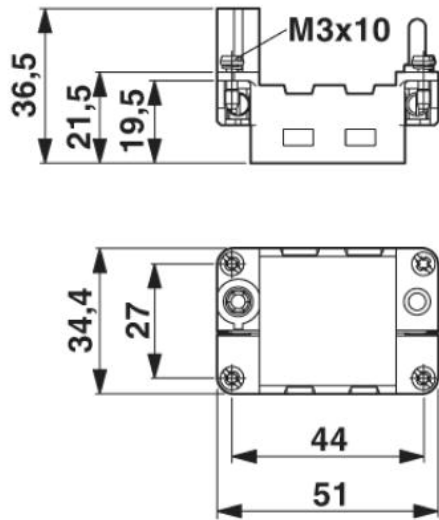
Technical data

General data

Note	Hinged retaining frame
Design	B6
Ambient temperature (operation)	-40 °C ... 125 °C
Assembly instructions	HC-MHR-PE16 (1636981) for PE connection extension to 16 mm ² .

Diagrams/Drawings

Dimensioned drawing



Address

PHOENIX CONTACT Inc., USA
586 Fulling Mill Road
Middletown, PA 17057, USA
Phone (800) 888-7388
Fax (717) 944-1625
<http://www.phoenixcon.com>



© 2011 Phoenix Contact
Technical modifications reserved;