


**HC-M-04-BU-KOAX-75**

Order No.: 1686258

<http://eshop.phoenixcontact.de/phoenix/treeViewClick.do?UID=1686258>

Coaxial contact, for the HC-M-4-MOD-ST module, 75 Ohm

**Commercial data**

GTIN (EAN)	 4 017918 174132
sales group	D045
Pack	10 pcs.
Customs tariff	85366910
Catalog page information	Page 549 (PC-2011)

**Product notes**WEEE/RoHS-compliant since:  
10/26/2006

<http://www.download.phoenixcontact.com>  
Please note that the data given here has been taken from the online catalog. For comprehensive information and data, please refer to the user documentation. The General Terms and Conditions of Use apply to Internet downloads.

**Technical data****Electrical characteristics**

Note	Cables that can be used for the coaxial contact: RG179B/U, RG187A/U
Rated voltage	50 V AC
Rated current	1.5 A
Volume resistance	≤ 10 mΩ (Phase conductors)

Insulation resistance	10 GΩ
Wave impedance	75 Ω

#### Mechanical characteristics

Conductor cross section AWG/kcmil max	14
Conductor cross section AWG/kcmil min.	26
Conductor cross section stranded max.	2.5 mm <sup>2</sup>
Conductor cross section stranded min.	0.14 mm <sup>2</sup>
Insertion/withdrawal cycles	≥ 500

#### General characteristics

Series	HC-M-04
Connection method	Soldering and crimp connection
Connection in acc. with standard	IEC / EN

#### Material data

Contact material	Copper alloy
Contact surface material	Gold-plated

#### Certificates / Approvals



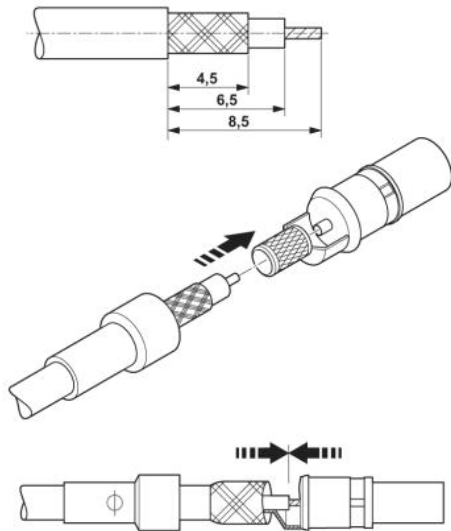
Certification GOST, UL

#### Accessories

Item	Designation	Description
<b>Tools</b>		
1206023	CRIMPFOX-HCM-KOAX	Crimping pliers, for coaxial, male and female contacts acc. to DIN 41626, contacts HC-M-04-ST-KOAX-... and HC-M-04-BU-KOAX-... 50 and 75 Ohms respectively
1676747	HC-M4-KOAX-EWZ	Contact removal tool for coaxial contacts

## Diagrams/Drawings

### Schematic diagram



### Assembly instructions:

RG cables 174/U; 188A/U; 316/U; 179B/U; 187A/U. Strip the 8.5 mm cable and slide the sleeve over the cable. Then solder the wires to the coaxial contact and crimp the cable along the narrow contact collar. Slide the sleeve over the braided shield and crimp the cable along the narrow contact collar.

**Address**

PHOENIX CONTACT Inc., USA  
586 Fulling Mill Road  
Middletown, PA 17057, USA  
Phone (800) 888-7388  
Fax (717) 944-1625  
<http://www.phoenixcon.com>



© 2011 Phoenix Contact  
Technical modifications reserved;