


VS-ADP16-VS09GS-BU/BU

Order No.: 1652431



<http://eshop.phoenixcontact.de/phoenix/treeViewClick.do?UID=1652431>

Adapter plate, size B16, reinforced, including panel mounting frame with DSUB 9 protective cover and gender changer contact insert socket/socket

Commercial data	
GTIN (EAN)	 4 017918 960537
Note	Made-to-order
sales group	D553
Pack	1 pcs.
Customs tariff	85369010
Catalog page information	Page 37 (PC-2005)

Product notes

WEEE/RoHS-compliant since:
11/03/2008



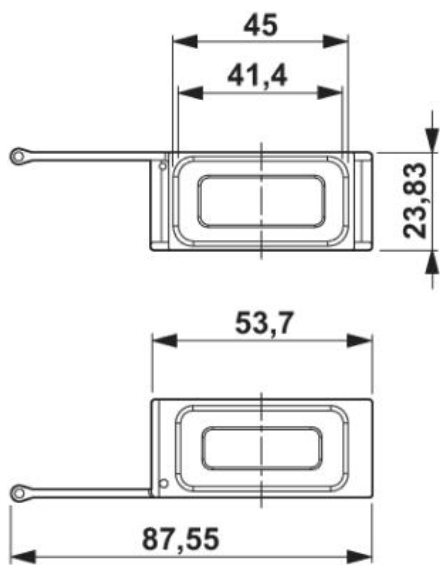
<http://www.download.phoenixcontact.com>
Please note that the data given here has been taken from the online catalog. For comprehensive information and data, please refer to the user documentation. The General Terms and Conditions of Use apply to Internet downloads.

Technical data	
Mechanical characteristics	
Ambient temperature (operation)	-20 °C ... 80 °C
Material data	
Inflammability class acc. to UL 94	HB

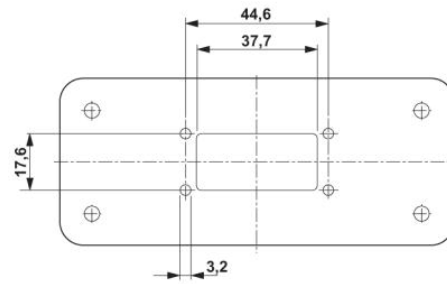
Material	PA
Sealing material	TPE
Seal material	TPE
Degree of protection	IP54

Diagrams/Drawings

Dimensioned drawing



Protective cover for D-SUB



Panel cutout

Address

PHOENIX CONTACT Inc., USA
586 Fulling Mill Road
Middletown, PA 17057, USA
Phone (800) 888-7388
Fax (717) 944-1625
<http://www.phoenixcon.com>



© 2011 Phoenix Contact
Technical modifications reserved;