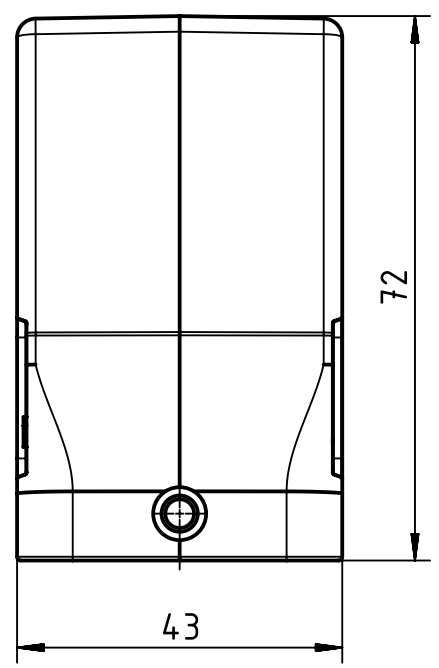
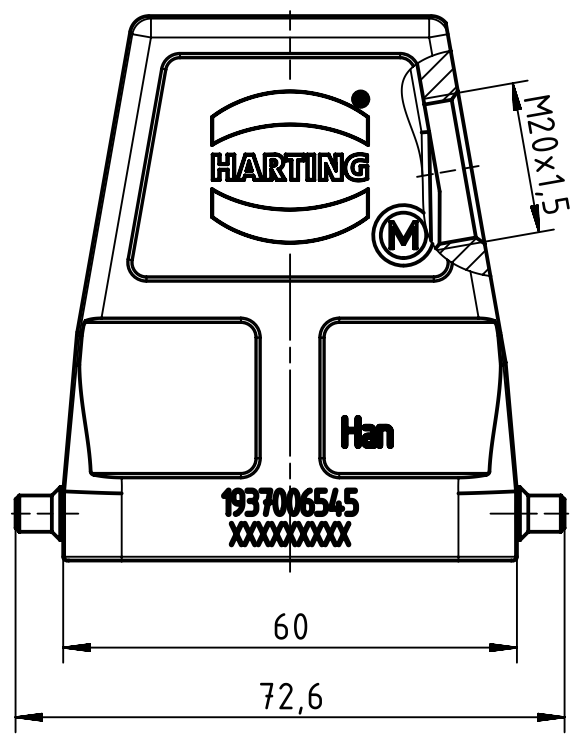
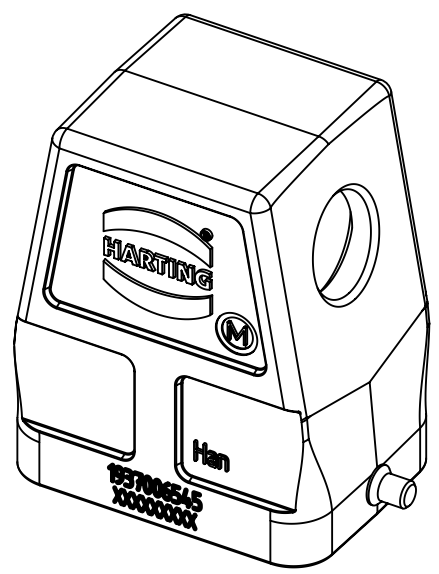


A

B

C

D



	All Dimensions in mm Original Size DIN A4		Scale 1:1	Free size tol.		Ref.
						Sub.
	All rights reserved Department EL PD - DE		Created by RULLKOETTER	Inspected by BERGHORN	Standardisation TIEMANNA	Date 2013-09-17
	HARTING Electric GmbH & Co. KG D-32339 Espelkamp		Title Han 6M-gs-M20			State Final Release
			Type TB	Number 19 37 006 0545		Doc-Key / ECM-Nr. 100125963/UGD/005/A 500000066417
					Rev. A	Page 1/1