

DC-B 6-SET-CO-M20-M-7X4-UT

Order No.: 1602274

<http://eshop.phoenixcontact.de/phoenix/treeViewClick.do?UID=1602274>

Duplicon, aluminum coupling set with a basic housing (enclosed bottom), with two stackable housings with M20 cable screw connection threads (without cable screw connections), with two contact inserts 6 x 4 mm² + PE, 400/690 V, 25 A, screw connection and a housing cover, size B6, IP67 protection

Commercial data

GTIN (EAN)	
Note	Made-to-order
sales group	D077
Pack	1 pcs.
Customs tariff	85366990
Catalog page information	Page 485 (PC-2011)

Product notesWEEE/RoHS-compliant since:
07/01/2005

<http://www.download.phoenixcontact.com>
Please note that the data given here has been taken from the online catalog. For comprehensive information and data, please refer to the user documentation. The General Terms and Conditions of Use apply to Internet downloads.

Technical data**Electrical characteristics**

Rated voltage (III/3)	400 V (L-PE)
	690 V (L-L)

Rated surge voltage	6 kV
Rated current	25 A (with 4 mm ² conductor cross section)
Maximum load current	32 A (L1/L2/L3)
Surge voltage category	III
Pollution degree	3

Material data

Contact material	Cu
Contact surface material	Ag
Contact carrier material	PA
Housing material	Aluminum, die-cast
Housing surface material	EMC-conductive
Seal material	NBR
Locking latch material	Stainless steel
Material grip body interlock	PA

General characteristics

Design	DC-B6
Degree of protection	IP65/IP66/IP67
Color	pearl gray
Height	115 mm
Insertion/withdrawal cycles	≥ 100
Ambient temperature (operation)	-40 °C ... 100 °C
Number of positions	6
Stripping length of the individual wire	10 mm
Conductor cross-section	0.2 mm ² ... 4 mm ² (6 mm ² without ferrule)
Connection cross-section AWG	24 ... 12 (AWG 10 without ferrule)
Tightening torque	0.5 Nm ... 0.6 Nm
Pg screw connection	None
Type of the screw connection	With M20 thread
Cable exit	Lateral

Certificates / Approvals



Certification CUL, UL, VDE-PZI

Accessories

Item Designation Description

General

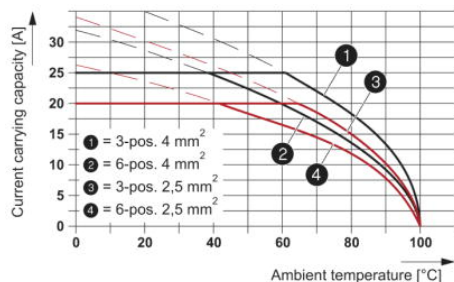
1602326	DC-B 6-A-HD-G	DUPLICON, profile gasket for stackable housing, made of conductive EPDM
1602313	DC-B 6-A-SA	DUPLICON, mounting bracket, made of 3 mm high-grade steel plate, with predrilled holes
1645846	HC-M-BS-M20	Cover cap, metal, size: M20
1645998	HC-M-KV-M20(11-16)	Metal screw connection up to 5 bar, thread length: 6 mm, cable diameter: 11 - 16 mm, WAF 27, screw connection: M20
1690561	HC-M-KV-M20(9-13)	Metal screw connection up to 5 bar, thread length: 6 mm, cable diameter: 9 - 13 mm, WAF 22, screw connection: M20
1602410	T20-M4X12	M4 Torx head screw T20, 12 mm long, self tapping, consisting of high-strength steel, anti-corrosive

Marking

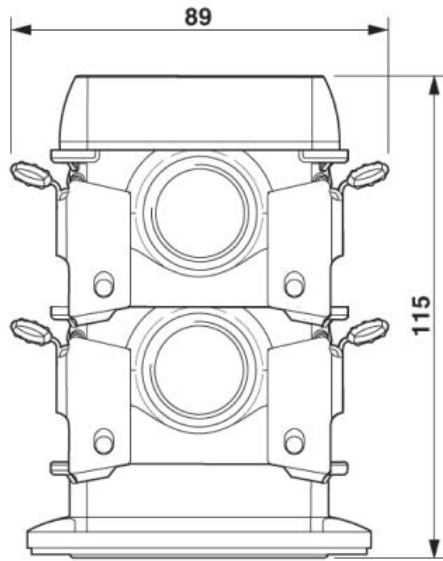
3040588	PC	Keying star, Length: 3 mm, Width: 3 mm, Height: 6 mm, Color: red
---------	----	--

Diagrams/Drawings

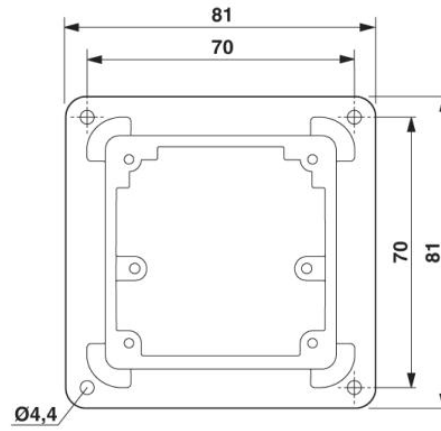
Diagram



Dimensioned drawing



Dimensional drawing



Dimensional drawing

Address

PHOENIX CONTACT Inc., USA
586 Fulling Mill Road
Middletown, PA 17057, USA
Phone (800) 888-7388
Fax (717) 944-1625
<http://www.phoenixcon.com>



© 2011 Phoenix Contact
Technical modifications reserved;