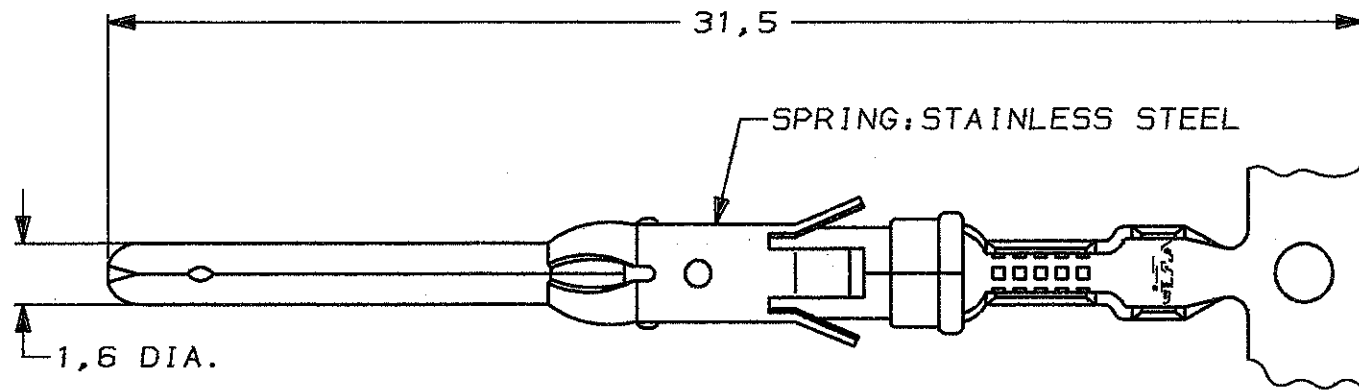
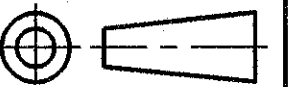


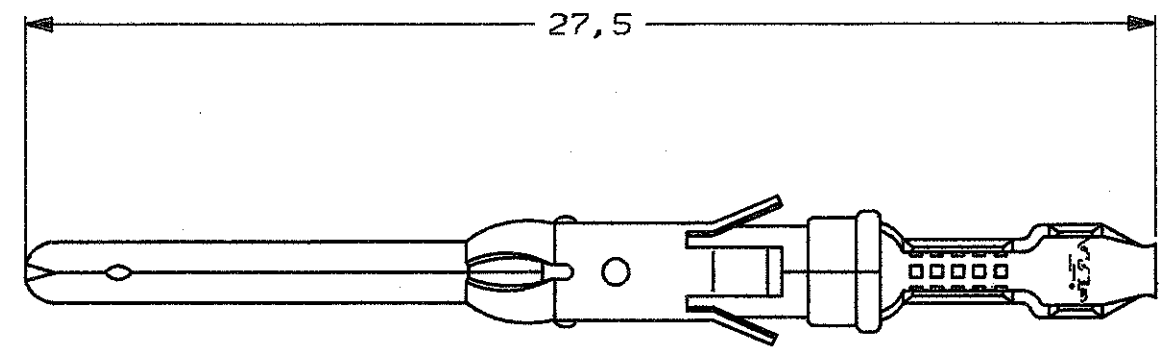
DO NOT SCALE  
DIMENSIONS IN mm

METRIC

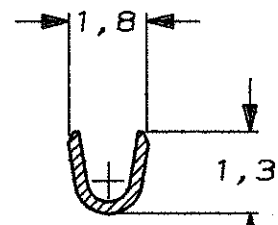
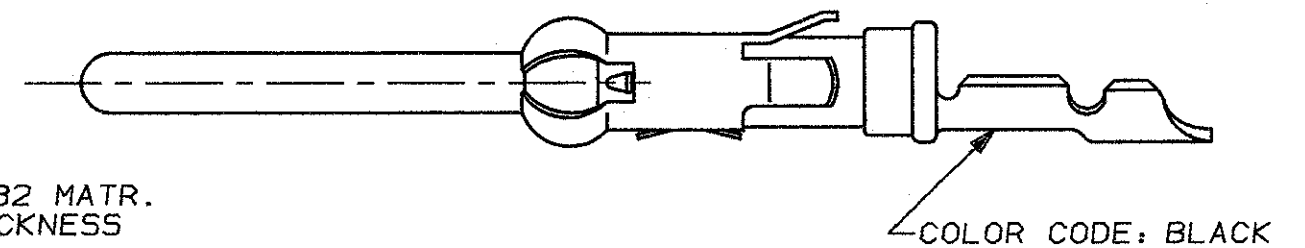
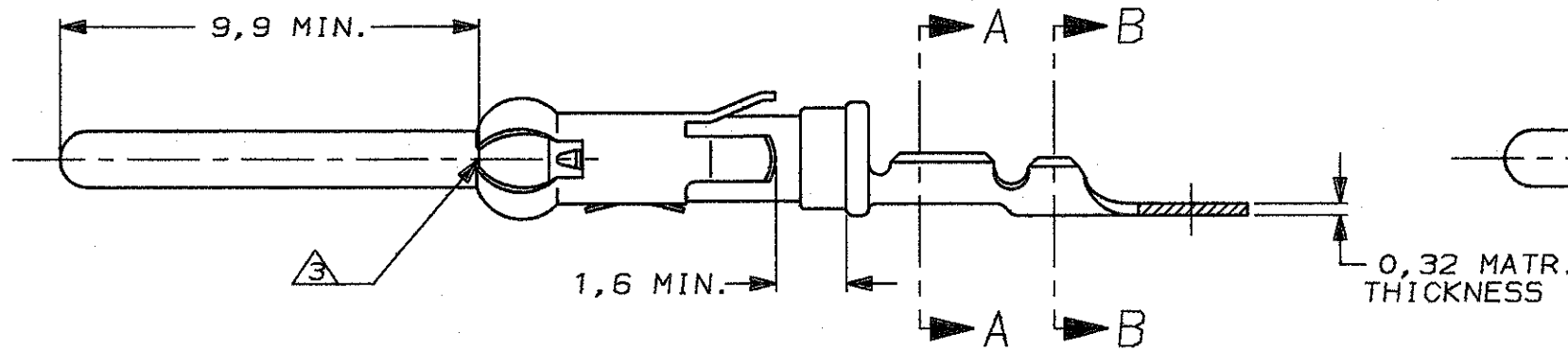
THIRD ANGLE  
PROJECTION



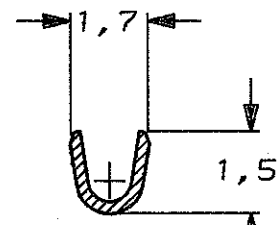
STRIP



LOOSE-PIECE

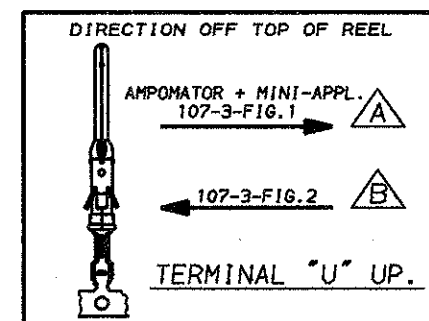


SECTION A-A



SECTION B-B

WIRE RANGE : 0,03-0,09 mm<sup>2</sup> (32-28 AWG)  
INSUL. RANGE : 0,4 -0,8 mm (.016-.030)



PARTNUMBER	DIRECTION OF REEL	LOOSE-PIECE	MATERIAL	PLATING
1-166970-1	A		BRASS	ECON. GOLD
1-166970-0	B	1-166977-0	BRASS	ECON. GOLD
166970-5	A		BRASS	EL. TIN
166970-4	A		BRASS	SEL. GOLD
166970-2	B	166977-2	BRASS	SEL. GOLD
166970-1	B	166977-1	BRASS	EL. TIN

NOTES	MATERIAL	THICKNESS	AREA
20	TIN	2,0 μm	ALL OVER
21	NICKEL GOLD TIN/LEAD	0,8 μm	ALL OVER CONTACT AREA BARREL
22	NICKEL GOLD GOLD	0,8 μm	ALL OVER CONTACT AREA ALL OVER
23	NICKEL GOLD GOLD	1,2 μm	ALL OVER CONTACT AREA ALL OVER
24	NICKEL SILVER TIN/LEAD	2,5 μm	ALL OVER CONTACT AREA BARREL
25	SILVER	0,5 μm	ALL OVER
26	SILVER	2,5 μm	ALL OVER

**CUSTOMER DRAWING**  
FOR REFERENCE ONLY  
WILL NOT BE UPDATED

**AMP** AMP-HOLLAND B.V.  
s-Hertogenbosch, The Netherlands.  
THIS DRAWING IS UNPUBLISHED. RELEASED FOR PUBLICATION AUG., 1987  
© COPYRIGHT 1987 BY AMP-HOLLAND B.V.  
ALL INTERNATIONAL RIGHTS RESERVED.  
AMP PRODUCTS MAY BE COVERED BY U.S. AND FOREIGN PATENTS AND/OR PATENTS PENDING.

DR. L.V.D. HEYDEN	DATE 19.08.1987	WIRE RANGE -	NAME	REV. DATE
CHK. P.V.D. HAGEN	DATE	INSUL. RANGE -	PIN TYPE III <sup>+</sup> CONTACT SIZE 16	D M Y
APP. L.V. SOEST	DATE	SIZE A3		02 08 04
		SHEET 1 OF 1	DWG. No. C-166970	REV. LTR. F

- NOTES :
- FOR CRIMPDETAILS SEE AMP-SPEC. 114-19.000 .
  - MEETS PRODUCTSPECIFICATION 108-10042.
  - 0,40 MAX. GAP BETWEEN SPRING-NOSE AND CONTACT BODY.

8 7 6 5 4 3 2 1