

Contact insert - HC-HV 6-ESTS - 1773352

Please be informed that the data shown in this PDF Document is generated from our Online Catalog. Please find the complete data in the user's documentation. Our General Terms of Use for Downloads are valid (<http://phoenixcontact.com/download>)




HEAVYCON male insert, for 690 V(III/3), with 6 N/O contacts and 2 switching contacts, screw connection

The illustration shows a combination of versions HC-HV -6-EBUC, -6-EBUS, -6-ESTC and -6-ESTS



Key Commercial Data

Packing unit	10 pc
GTIN	 4 017918 103675
Weight per Piece (excluding packing)	85.96 g
Custom tariff number	85366990
Country of origin	Germany
Note	Made to Order (non-returnable)

Technical data

General

Note	For HEAVYCON-ADVANCE housing type B16 and HEAVYCON type HV6
Connection method	Screw connection
Tightening torque	0.5 Nm
Pollution degree	3
Overvoltage category	III
Constructional and testing regulations	DIN VDE 0627/86
	DIN VDE 0110/02.79
	DIN VDE 0110-1/04.97
	IEC 60664-1, DIN IEC 60512
	IEC 60352
Number of positions	6+2+PE
Insertion/withdrawal cycles	≥ 500

Contact insert - HC-HV 6-ESTS - 1773352

Technical data

General

Type	HV6
Conductor cross section	0.5 mm ² ... 2.5 mm ²
Connection cross section AWG	20 ... 14
Stripping length of the individual wire	7 mm (N/O contacts)
	7 mm (control contacts)

Ambient conditions

Ambient temperature (operation)	-40 °C ... 125 °C (including heating up of contacts)
---------------------------------	--

Material data

Flammability rating according to UL 94	V0
Contact material	Copper alloy
Contact surface material	Ag
Contact carrier material	PA

Electrical characteristics

Rated voltage for power contacts	400/690 V
Rated voltage (III/3)	Power 400 V (Conductor-PE)
	250 V control contacts
	Power 690 V (Conductor-Conductor)
Rated surge voltage	6 kV (N/O contacts)
	4 kV (control contacts)
Rated current	16 A

Classifications

eCl@ss

eCl@ss 4.0	27140816
eCl@ss 4.1	27140816
eCl@ss 5.0	27143424
eCl@ss 5.1	27143424
eCl@ss 6.0	27143424
eCl@ss 7.0	27440209
eCl@ss 8.0	27440205

ETIM

ETIM 2.0	EC000438
ETIM 3.0	EC000438
ETIM 4.0	EC000438
ETIM 5.0	EC000438

UNSPSC

UNSPSC 6.01	30211923
-------------	----------

Contact insert - HC-HV 6-ESTS - 1773352

Classifications

UNSPSC

UNSPSC 7.0901	39121522
UNSPSC 11	39121522
UNSPSC 12.01	39121522
UNSPSC 13.2	39121522

Approvals

Approvals

Approvals

EAC

Ex Approvals

Approvals submitted

Approval details

EAC

Accessories

Accessories

Mounting material

PE multiplier - HC-B-3PE - 1644326

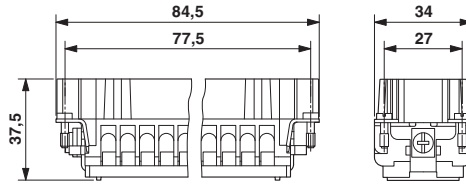


PE multiplier, for three PE connections, for HC-B (besides HC-B..E..ZZ) / HC-BB / HC-DD / HC-D40 / HC-D64 contact inserts

Drawings

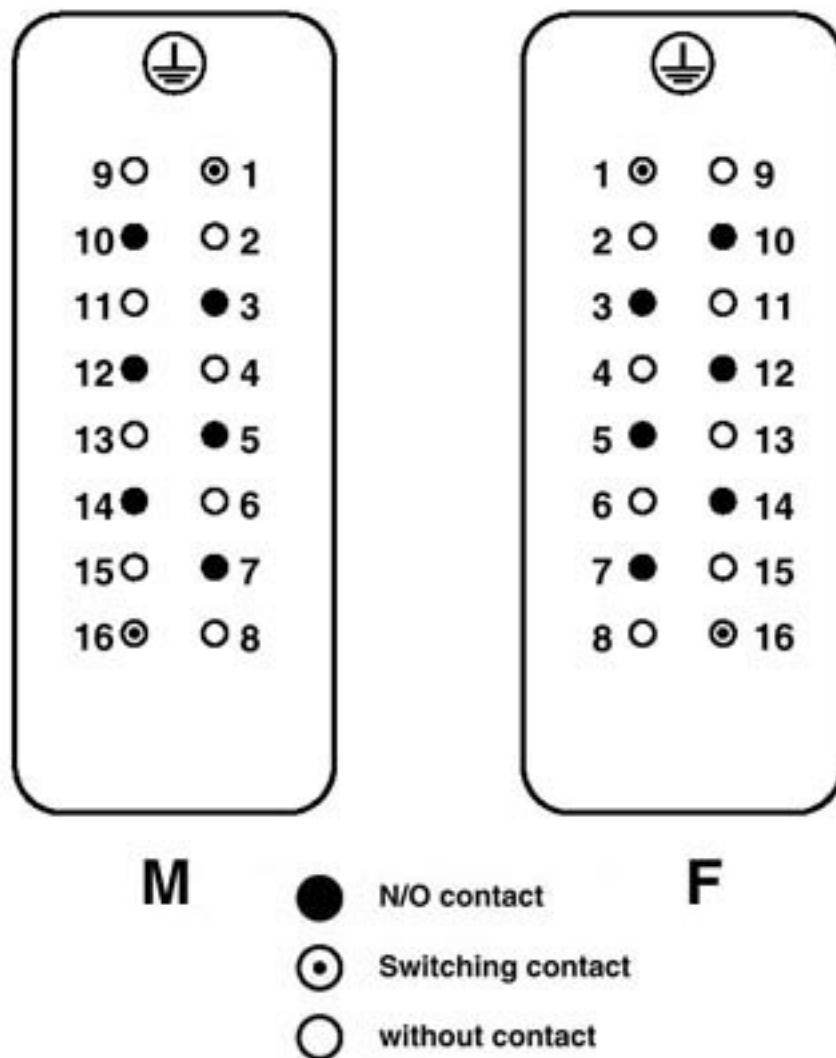
Contact insert - HC-HV 6-ESTS - 1773352

Dimensional drawing



Male insert

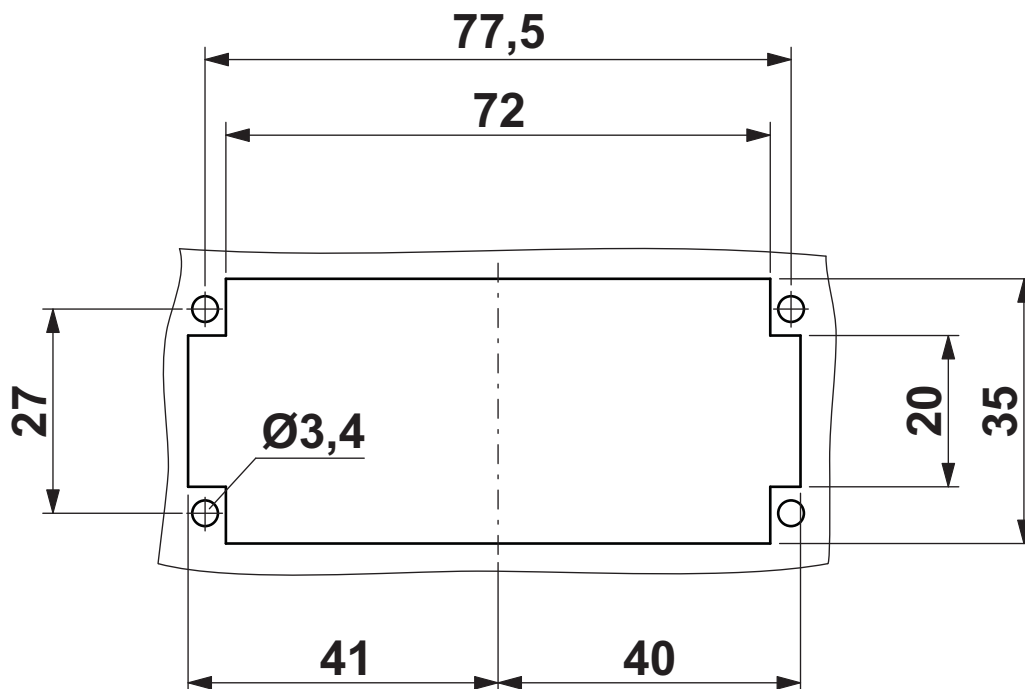
Schematic diagram



View termination side

Contact insert - HC-HV 6-ESTS - 1773352

Dimensional drawing



Diagram

conductor cross section: 1.5 mm² conductor cross section: 2.5 mm²

