

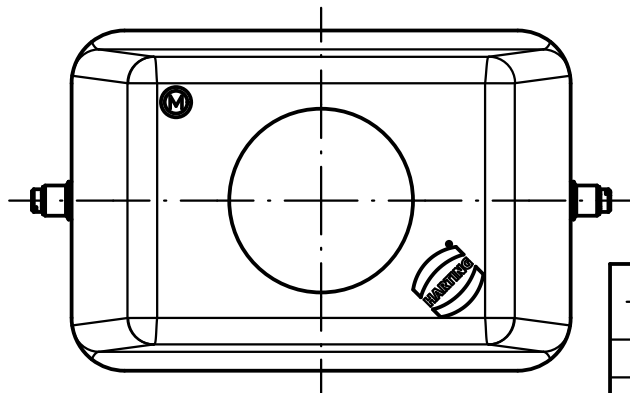
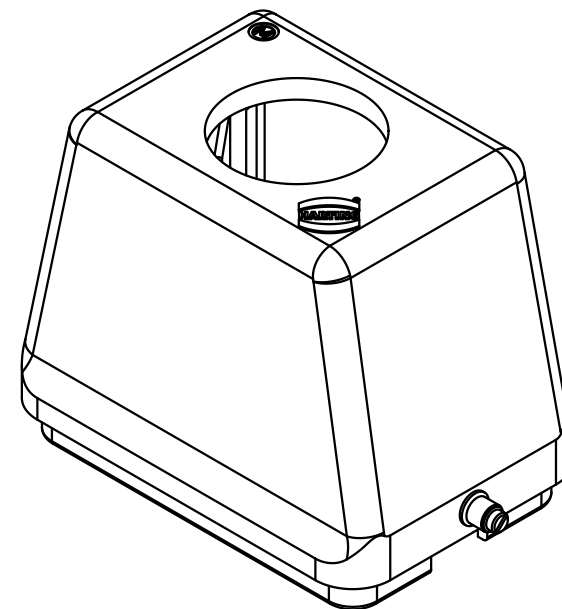
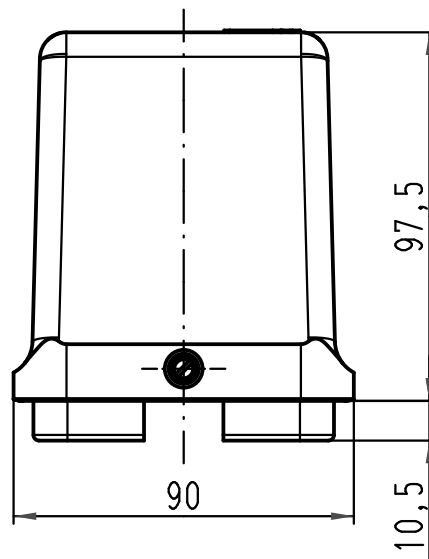
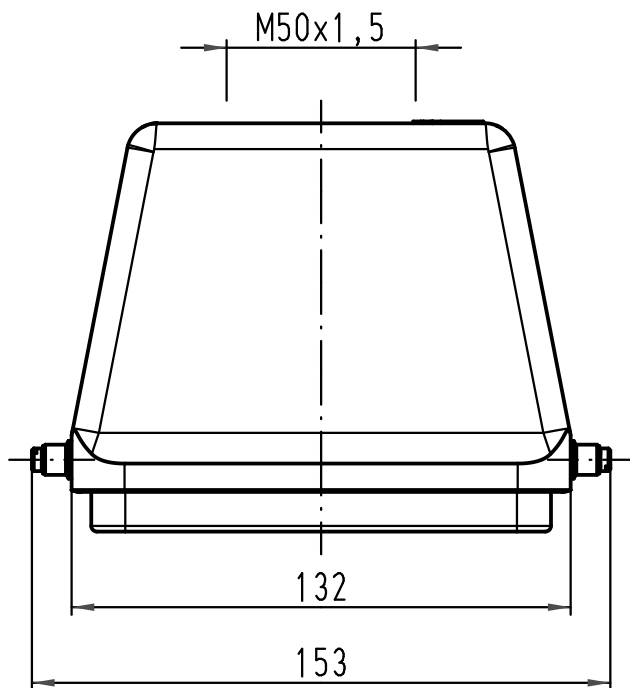
1 2 3 4 5 6

A

B

C

D



All Dimensions in mm Original Size DIN A 4		Techn. Character.			Nicht tolerierte Maße/ Free size tolerances	
			Dat.	Name	Maßstab/ Scale 1:2	Han 48M-gg-R-M50 Gehäuse hood
			Detail.	23.01.09 Bor		
			Insp.	Be		
			Stand.			
A			HARTING Electric GmbH & Co. KG D-32339 Espelkamp			TB 19 37 048 0449
Mod.	Dat.	Name				
					Sub. TB 19 37 048 0449 v. 09.12.02	
					Blatt/ page	

AMEYA360

Components Supply Platform

Authorized Distribution Brand :



Website :

Welcome to visit www.ameya360.com

Contact Us :

➤ Address :

401 Building No.5, JiuGe Business Center, Lane 2301, Yishan Rd
Minhang District, Shanghai , China

➤ Sales :

Direct +86 (21) 6401-6692

Email amall@ameya360.com

QQ 800077892

Skype ameyasales1 ameyasales2

➤ Customer Service :

Email service@ameya360.com

➤ Partnership :

Tel +86 (21) 64016692-8333

Email mkt@ameya360.com