


DC-B 6-HM-M

Order No.: 1602164

<http://eshop.phoenixcontact.de/phoenix/treeViewClick.do?UID=1602164>DUPLICON, aluminum basic housing with enclosed bottom, type B6,
IP67 protection**Commercial data**

GTIN (EAN)	 4 046356 027861
sales group	D070
Pack	10 pcs.
Customs tariff	85389099
Catalog page information	Page 489 (PC-2011)

Product notesWEEE/RoHS-compliant since:
07/05/2004

<http://www.download.phoenixcontact.com>
Please note that the data given here has been taken from the online catalog. For comprehensive information and data, please refer to the user documentation. The General Terms and Conditions of Use apply to Internet downloads.

Technical data**General data**

Design	DC-B6
Color	pearl gray
Degree of protection	IP65/IP66/IP67
Ambient temperature (operation)	-40 °C ... 125 °C
Housing material	Aluminum, die-cast

Housing surface material	EMC-conductive
--------------------------	----------------

Certificates / Approvals



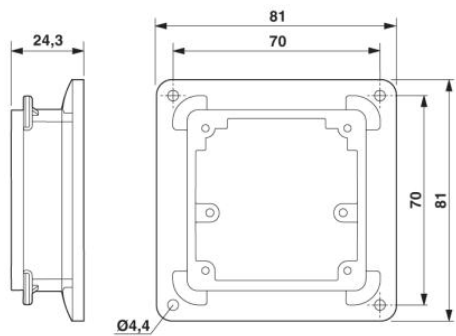
Certification VDE-PZI

Accessories

Item	Designation	Description
General		
1602313	DC-B 6-A-SA	DUPLICON, mounting bracket, made of 3 mm high-grade steel plate, with predrilled holes
1602410	T20-M4X12	M4 Torx head screw T20, 12 mm long, self tapping, consisting of high-strength steel, anti-corrosive

Diagrams/Drawings

Dimensioned drawing



Dimensional drawing

Address

PHOENIX CONTACT Inc., USA
586 Fulling Mill Road
Middletown, PA 17057, USA
Phone (800) 888-7388
Fax (717) 944-1625
<http://www.phoenixcon.com>



© 2011 Phoenix Contact
Technical modifications reserved;