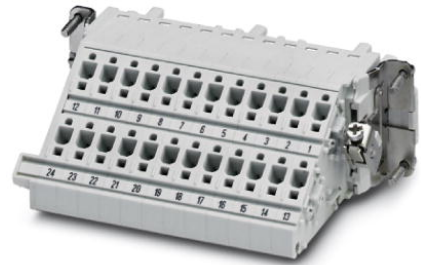



HC-B 24-A-DT-PEL-F

Order No.: 1648474

<http://eshop.phoenixcontact.de/phoenix/treeViewClick.do?UID=1648474>

HEAVYCON terminal adapter female insert, B24 series, 24-pos.,
right PE connection for the left side of the control cabinet, Push-In
connection

| Commercial data | |
|--------------------------|--|
| GTIN (EAN) |  4 046356 092197 |
| Note | Made-to-order |
| sales group | D004 |
| Pack | 5 pcs. |
| Customs tariff | 85366990 |
| Catalog page information | Page 559 (PC-2011) |

Product notesWEEE/RoHS-compliant since:
09/05/2005

[http://
www.download.phoenixcontact.com](http://www.download.phoenixcontact.com)
Please note that the data given
here has been taken from the
online catalog. For comprehensive
information and data, please refer
to the user documentation. The
General Terms and Conditions of
Use apply to Internet downloads.

| Technical data | |
|-----------------------------------|--|
| Electrical characteristics | |
| Note | For HEAVYCON-ADVANCE mounting flange and HEAVYCON panel mounting base of B24 type |
| Number of positions | 24 |
| Rated voltage (III/3) | 500 V |

| | |
|---------------------|------|
| Rated surge voltage | 6 kV |
| Rated current | 16 A |

Mechanical characteristics

| | |
|---|---|
| Design | B24 |
| Connection method | Push-in connection |
| Stripping length of the individual wire | 10 mm (13 mm if ferrules are used) |
| Conductor cross-section | 0.5 mm ² ... 2.5 mm ² |
| Connection cross-section AWG | 22 ... 12 |

General characteristics

| | |
|------------------------------------|---|
| Contact material | Copper alloy |
| Contact surface material | Ag |
| Contact carrier material | PA |
| Terminal adapter width | 90.5 mm |
| Height | 34 mm |
| Pollution degree | 3 |
| Surge voltage category | III |
| Inflammability class acc. to UL 94 | V0 |
| Ambient temperature (operation) | -40 °C ... 125 °C |
| Assembly instructions | 1) Insert ferrules. 0.5 mm ² ... 2.5 mm ² with insulating collar, length 10 mm, stripping length 13 mm, 2) Screwdriver SZF0-0,4x2,5 (similar to DIN 5264) |
| Installation instructions | Connectors may be plugged in only when there is no load/voltage. |

Certificates / Approvals



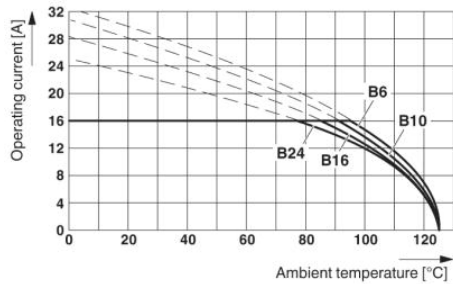
Certification

CSA, CUL, UL

| Accessories | | |
|---------------------|---------------|--|
| Item | Designation | Description |
| Assembly | | |
| 1775240 | HC-KA-FE | Foot element, for mounting on DIN rail NS 32, DIN rail NS 35/7.5 or DIN rail NS 35/15, can be inserted between basic and side element |
| 1660083 | HC-VSH | Locking screw barrel, for a firm connection of contact inserts and DIN-rail mountable terminal adapters |
| General | | |
| 1644326 | HC-B-3PE | PE multiplier, for three PE connections, for HC-B (besides HC-B..E..ZZ) / HC-BB / HC-DD / HC-D40 / HC-D64 contact inserts |
| 1604997 | HC-B-PES | PE screw, for contact inserts HC-B / HC-BB / HC-DD / HC-D40 / HC-D64 |
| 1772722 | HC-CB | Coding pin, prevents mismating of up to six plug connectors with an identical number of positions |
| 1676860 | HC-CBU | Keying socket for coding up to 16 plug connectors |
| 1676857 | HC-CST | Keying peg for coding up to 16 plug connectors |
| 0810779 | ZBF-U:SO/CMS | Zack marker strips off the roll, flat, printed according to customer requirements |
| Marking | | |
| 0828525 | ZBF-U CUS | Terminal block marking, can be labeled as per customer specifications |
| Plug/Adapter | | |
| 1686478 | CP-HC | Keying profile, 4-section, for pushing into the keying grooves |
| Tools | | |
| 1204504 | SZF 0-0,4X2,5 | Actuation tool, for ST terminal blocks, also suitable for use as a bladed screwdriver, size: 0.4 x 2.5 x 75 mm, 2-component grip, with non-slip grip |

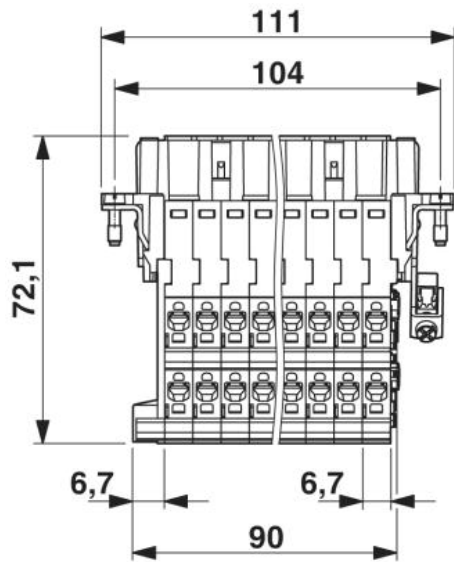
Diagrams/Drawings

Diagram

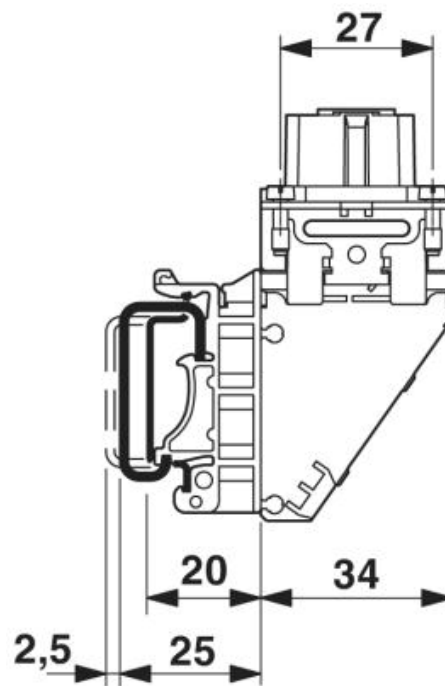


Derating diagram

Dimensioned drawing



Dimensional drawing



Dimensional drawing, side view

Address

PHOENIX CONTACT Inc., USA
586 Fulling Mill Road
Middletown, PA 17057, USA
Phone (800) 888-7388
Fax (717) 944-1625
<http://www.phoenixcon.com>



© 2011 Phoenix Contact
Technical modifications reserved;